

CLEAR LAKE, WISCONSIN 54005

**PIXALL**

Manufactured By

EFFECTIVE: 1993

SNAP BEAN  
FRESH MARKET SOUTHERN PEA HARVESTER  
LIMA BEAN

**ONE-ROW PULL-PIXTM**



**REPAIR PARTS LIST**

221419384



PIXALL ONE-ROW PULL-PIX FOR BEANS  
Repair Parts List

TABLE OF CONTENTS

Bagger Platform ..... 25

Conveyor Drive Gear Box ..... 31

Counter Shaft & Fan Gear Box ..... 7

Eight Foot Elevator ..... 23

Fan Drive & Suction Leg Assembly ..... 11

Fan Drive Gear Box ..... 27

Fan Vari-Speed Sheaves ..... 33

Main Frame ..... 1

Outside Row Divider Kit ..... 35

Picking Head Assembly ..... 15

Power Take Off ..... 5

Reel & Stripper Assembly ..... 19

Safety ..... S-1 to S-4

Warranty ..... W-1



# WARRANTY PARTS RETURN POLICY

IMPORTANT!

IMPORTANT!

All returned parts must be sent prepaid to Pixall, 100 Bean Street, P.O. Box 17, Clear Lake, Wisconsin 54005-0017.

It is **MOST IMPORTANT** that each component part be accompanied by a Part Failure Report Tag. The Part Failure Report Tag is the only means by which Pixall can give its vendors the information they request for warranty consideration. Remember, every line on these tags is important information. Parts without tags or incomplete tags will not be considered for warranty purposes. Many of Pixall's vendors require that failed parts be returned within a specified time frame in order to receive warranty consideration. To be safe, return all failed component parts as soon as possible from the date of failure with Part Failure Report attached.

## PIXALL'S LIMITED WARRANTY

- PIXALL'S limited warranty is as follows:
- Basic Limited Warranty Coverage:
    - PIXALL warrants that it will repair or, at its option, replace any parts manufactured by PIXALL and found to be defective in factory material or workmanship for a period of 6 months or 500 engine hours after delivery to the original purchaser. Equipment which has been used for demonstration purposes for less than 250 hours is considered "new" for this purpose. Any parts or remanufactured assemblies furnished under this warranty are warranted against defects in material or workmanship for the longer of 90 days or expiration of the warranty on the equipment for which such parts or assemblies were supplied.
  - PIXALL'S Obligations:
    - PIXALL will at its expense repair or, at its option, replace any parts manufactured by it and found to be defective in material or workmanship during the applicable warranty period, provided that the owner of the warranted equipment complies with the "Warranty Claims Procedure" set forth below. The equipment owner will be responsible for the expense of returning any parts to PIXALL for warranty evaluation. PIXALL will at its expense return any part repaired or replaced under this warranty to the owner of the warranted equipment, by truck, United Parcel Service or U.S. Mail, at PIXALL'S option. The equipment owner will be responsible for the cost of any other method of shipment, including air freight.
    - Items not Covered:
      - PIXALL'S limited warranty does not cover:
        - 1. labor; 2. a mechanics travel time; 3. the cost of removal of defective parts and reinstallation of repaired or replacement parts; 4. used equipment, unless specifically covered by a separate written warranty; 5. component parts manufactured by others, including but not limited to, bearings, gear boxes, engines, transmissions and hydraulic components (but, if new, such items are ordinarily warranted by the manufacturer thereof); 6. depreciation or damage caused by normal wear and tear, accident, abuse, improper maintenance, abnormal use, use other than in accordance with PIXALL'S instructions, or improper protection in storage; 7. equipment which has been modified or altered other than with the prior written approval of PIXALL; or 8. the cost of normal maintenance or service, including but not limited to the cost of replacement oil, bearings, sprockets, ignition parts, cutting parts, belts, chains, and brake linings; 9. consequential damages (the cost of repairing other property which is damaged when the equipment does not work properly).
  - Warranty Claims Procedure:
    - The owner of any warranted item claimed to be defective must:
      1. Notify PIXALL in writing on PIXALL'S Warranty Claim Report immediately upon discovery of any defect covered by this warranty.
      2. Provide to PIXALL contemporaneous documentary evidence of the date of delivery of the item to the original purchaser; and
      3. If requested by PIXALL, ship the defective part(s) to PIXALL, freight prepaid, for inspection.
  - No Other Warranties:
    - PIXALL makes no warranty other than that set forth above, express or implied.
  - PIXALL SPECIFICALLY DISCLAIMS ANY IMPLIED WARRANTY OF MERCHANTABILITY OR FITNESS FOR PURPOSE.
    - PIXALL GIVES NO WARRANTY THAT THE PRODUCTS SOLD WILL BE DELIVERED FREE OF THE RIGHTFUL CLAIM OF ANY THIRD PARTY FOR INFRINGEMENT OF ANY PATENT, COPYRIGHT OR TRADEMARK OR ANY OTHER PROPRIETARY RIGHTS.
    - None of PIXALL'S dealers are authorized to make any representation for warranty on PIXALL'S behalf or in its name.
  - Obligations and Remedies are Exclusive:
    - PIXALL'S only obligations and its customers' only remedies, in connection with the sale of PIXALL'S agricultural equipment, are those set forth in this warranty.
    - IN NO EVENT SHALL PIXALL BE RESPONSIBLE FOR ANY CONSEQUENTIAL OR INCIDENTAL DAMAGES, INCLUDING BUT NOT LIMITED TO DAMAGES FOR LOSS OF PROFITS, LOSS OF PROFITS, OR RENTAL OF SUBSTITUTE EQUIPMENT, WHETHER FOR BREACH OF WARRANTY OR OTHER BREACH OF CONTRACT, NEGLIGENCE OR OTHER TORT, OR ANY STRICT LIABILITY THEORY.
  - Your Rights Under State Law:
    - This warranty gives you specific legal rights and you may have other rights which may vary from state to state.

# SAFETY-ALERT SYMBOL FOR AGRICULTURAL EQUIPMENT

SAE Standard: ASAE S350 (ANSI/ASAE S350)

Proposed by the Engineering Policy Committee of Farm and Industrial Equipment Institute; approved by ASAE Power and Machinery Standards Committee; adopted by ASAE February 1972; reconfirmed and reclassified as a Standard, March 1977; reconfirmed December 1981; approved by ANSI as an American National Standard December 1982; reconfirmed December 1986.

## SECTION 1-PURPOSE

1.1 The purpose of this Standard is to establish a Safety-Alert Symbol for use on agricultural equipment, and to provide a symbol which means ATTENTION! BECOME ALERT! YOUR SAFETY IS INVOLVED!

## SECTION 2-SCOPE

2.1 This Standard presents the general uses, limitations on use, and appearance of the Safety-Alert Symbol.

## SECTION 3-DESCRIPTION

3.1 The Safety-Alert Symbol shall be an equilateral triangle with rounded corners and with an exclamation mark located in the center as shown in Figure 1. The dimensions are optional.

3.2 The Safety-Alert Symbol should be of contrasting colors which will cause the exclamation mark to stand out.

## SECTION 4-APPLICATION

4.1 The symbol should be used:  
4.1.1 In conjunction with warning statements and signs.  
4.1.2 In instruction manuals.  
4.1.3 In connection with agricultural equipment safety standards.  
4.1.4 On communications which concern agricultural equipment safety.  
4.2 The symbol should not be used:  
4.2.1 To indicate safety compliance or a safety characteristic.  
4.2.2 Alone on equipment for safety purposes.



After these statements will be specific instructions that must be followed both for your personal safety as well as for the safety of those working with you. PLEASE READ THEM CAREFULLY.

Included throughout this manual and on machine decals you will see this Safety-Alert Symbol followed by precautionary statements such as **DANGER**, **WARNING**, and **CAUTION**:



**DANGER:** The word DANGER denotes an EXTREME INTRINSIC HAZARD exists which would result in a high probability of DEATH or IRREPARABLE INJURY if proper procedures are not taken.



**WARNING:** The word WARNING denotes a HAZARD exists which can result in INJURY or DEATH if proper precautions are not taken.



**CAUTION:** The word CAUTION denotes a reminder of SAFETY practices, or directs attention to UNSAFE practices which could result in PERSONAL INJURY if proper precautions are not taken.



**IMPORTANT:** The word IMPORTANT is used to inform of the possibility of harvester damage if a certain procedure is not followed.

On the following pages you will find a listing of all decals on the harvester.

All safety and harvester operation decal locations are shown in this section.

It is very important that these decals remain intact and visible at all times. All decals must be replaced if they become illegible or missing.

Any new equipment components installed during repair must include current safety signs as specified by the manufacturer to be affixed to the replacement component.

New safety decals can be requested through: PIXALL

100 Bean Street, P.O. Box 17  
Clear Lake, WI 54005  
Phone: 715/263-2112  
Telex: 9102403159  
FAX: 715/263-2102

To affix new safety decals, area must be thoroughly cleaned with a moist towel and allowed to dry. After area has thoroughly dried, remove backing and place decal in appropriate area being sure to keep all air bubbles from behind decal.

If air bubbles do appear, work them to the nearest edge with a squeegee. Now you can remove the protective covering from the decal.

Most machine accidents can be avoided by the observance of a few simple safety precautions.

Always turn off tractor engine, disengage PTO, and set parking brake before attempting to clear any obstructions.

Keep all shields in place while harvester is in operation. Do not wear loose clothing around harvester.

Keep hands and feet away from moving parts. Be careful when operating the harvester on hillsides. The machine could tip sideways if it strikes a hole, ditch, or other irregularity. Keep the tractor in gear when going downhill.

Never let children play on or operate the bean harvester. Do not attempt to lubricate or make any machine adjustments while the tractor is running or the PTO is engaged.

7. ALWAYS TURN OFF TRACTOR ENGINE, DISENGAGE PTO, AND SET PARKING BRAKE BEFORE ATTEMPTING TO CLEAR ANY OBSTRUCTIONS.

6. KEEP ALL SHIELDS IN PLACE WHILE HARVESTER IS IN OPERATION.

5. DO NOT WEAR LOOSE CLOTHING AROUND HARVESTER.

4. KEEP HANDS AND FEET AWAY FROM MOVING PARTS.

3. BE CAREFUL WHEN OPERATING THE HARVESTER ON HILLSIDES. THE MACHINE COULD TIP SIDeways IF IT STRIKES A HOLE, DITCH, OR OTHER IRREGULARITY. KEEP THE TRACTOR IN GEAR WHEN GOING DOWNHILL.

2. NEVER LET CHILDREN PLAY ON OR OPERATE THE BEAN HARVESTER.

1. DO NOT ATTEMPT TO LUBRICATE OR MAKE ANY MACHINE ADJUSTMENTS WHILE THE TRACTOR IS RUNNING OR THE PTO IS ENGAGED.

MOST MACHINE ACCIDENTS CAN BE AVOIDED BY THE OBSERVANCE OF A FEW



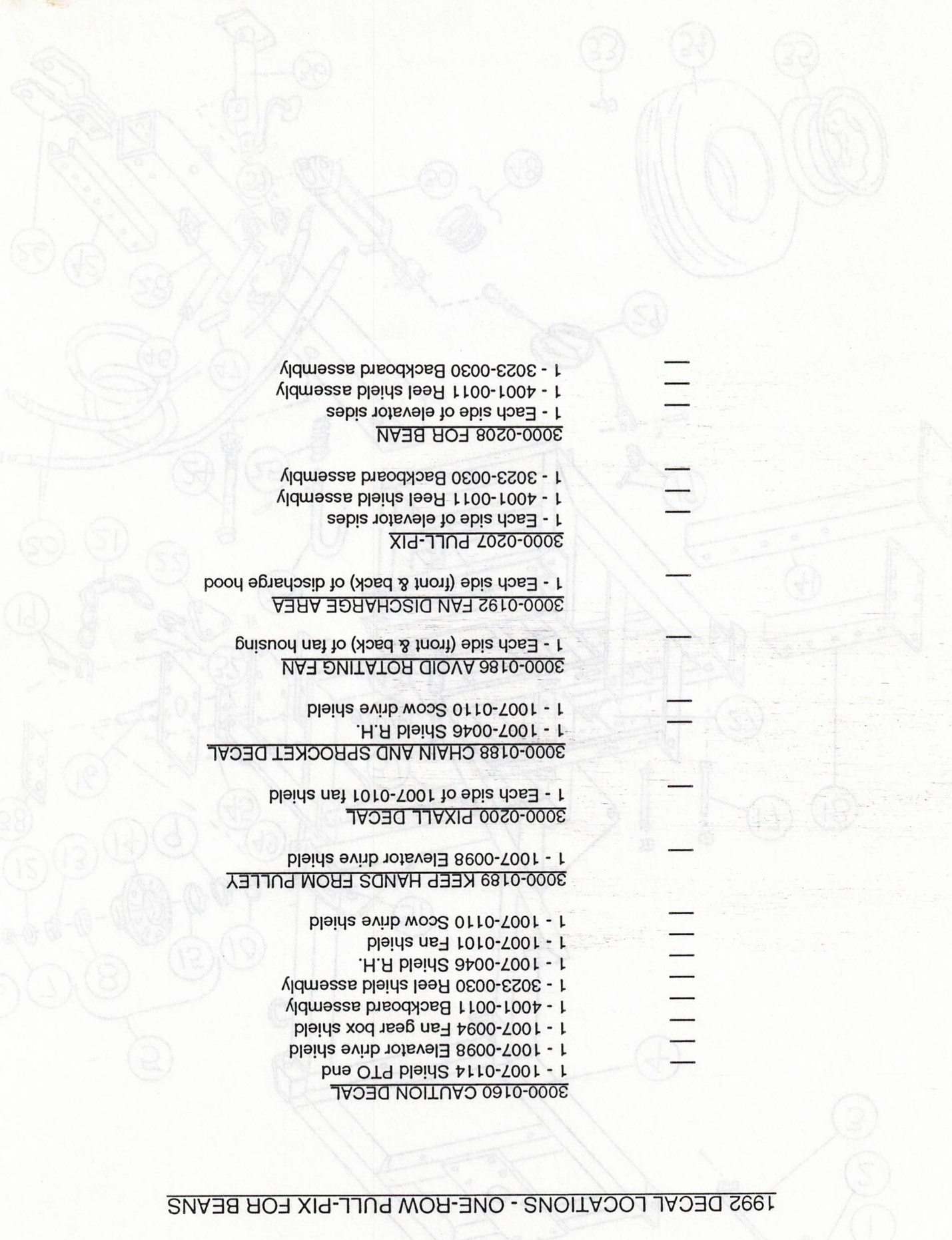
# SAFETY PRECAUTIONS

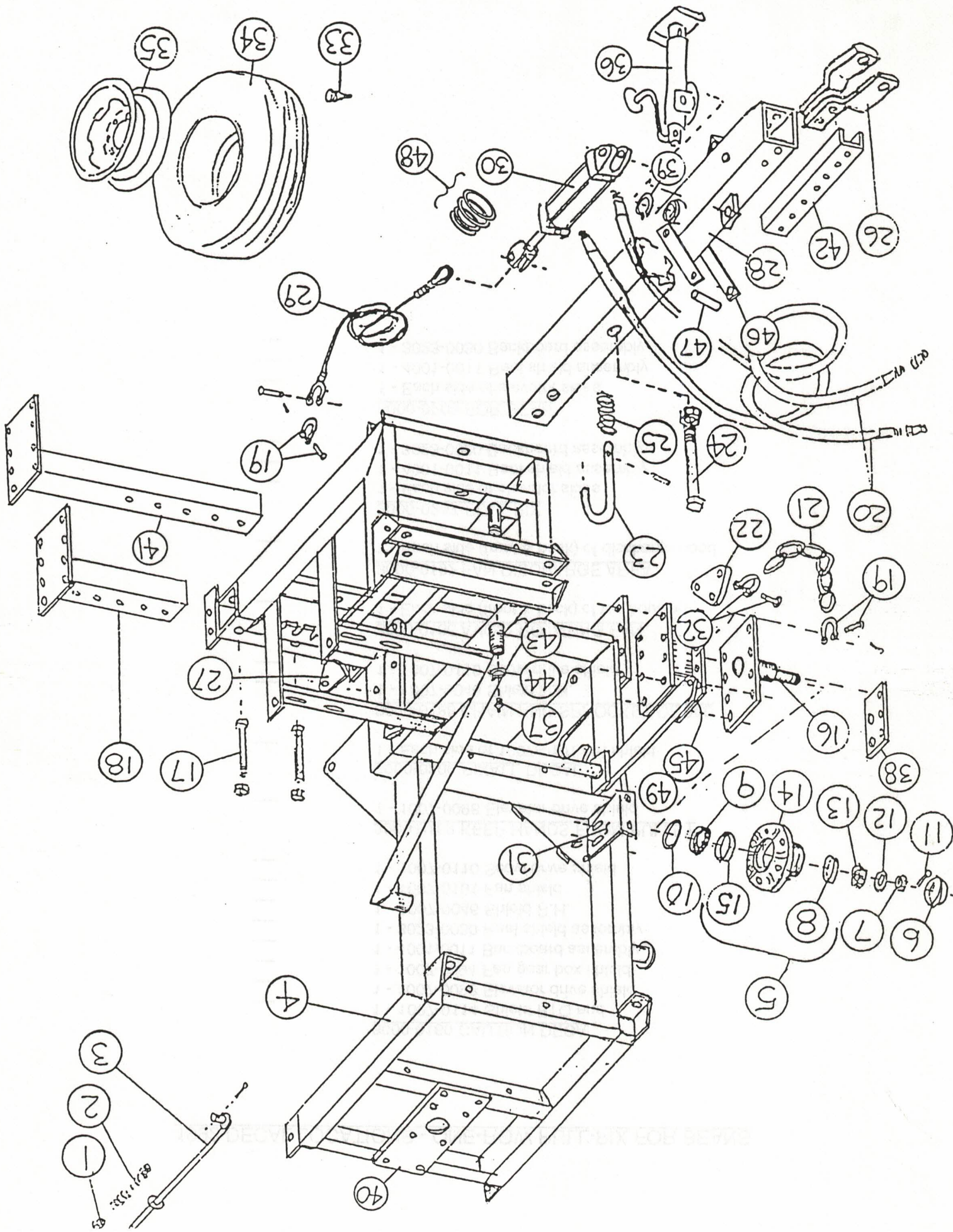




1992 DECAL LOCATIONS - ONE-ROW PULL-PIX FOR BEANS

- 3000-0160 CAUTION DECAL
- 1 - 1007-0114 Shield PTO end
- 1 - 1007-0098 Elevator drive shield
- 1 - 1007-0094 Fan gear box shield
- 1 - 4001-0011 Backboard assembly
- 1 - 3023-0030 Reel shield assembly
- 1 - 1007-0046 Shield R.H.
- 1 - 1007-0101 Fan shield
- 1 - 1007-0110 Scow drive shield
- 3000-0189 KEEP HANDS FROM PULLEY
- 1 - 1007-0098 Elevator drive shield
- 3000-0200 PIXALL DECAL
- 1 - Each side of 1007-0101 fan shield
- 3000-0188 CHAIN AND SPROCKET DECAL
- 1 - 1007-0046 Shield R.H.
- 1 - 1007-0110 Scow drive shield
- 3000-0186 AVOID ROTATING FAN
- 1 - Each side (front & back) of fan housing
- 3000-0192 FAN DISCHARGE AREA
- 1 - Each side (front & back) of discharge hood
- 3000-0207 PULL-PIX
- 1 - Each side of elevator sides
- 1 - 4001-0011 Reel shield assembly
- 1 - 3023-0030 Backboard assembly
- 3000-0208 FOR BEAN
- 1 - Each side of elevator sides
- 1 - 4001-0011 Reel shield assembly
- 1 - 3023-0030 Backboard assembly





MAIN FRAME

REF NO.	PART NUMBER	NO. USED	PART DESCRIPTION
1	0002-0228	2	Nut, Flexlock 3/4" - 10
2	1025-0005	2	Elevator Hanger Spring
3	1006-0123	2	Elevator Hanger
4	3023-0033	1	Main Frame
5	1011-0030	2	Hub Assy w/Cups, Studs, & Nuts
6	1011-0031	2	Hub Cap
7	0002-0347	2	Nut, Spindle 3/4" - 16
8	1015-0103	2	Outer Cup LM67010
9	1015-0104	2	Inner Cone LM29749
10	1015-0105	2	Seal
11	0002-0279	2	Cotter Pin 3/16 x 1 1/2"
12	0002-0348	2	Washer, Flat Spindle 3/4"
13	1015-0106	2	Outer Cone LM67048
14	1011-0032	2	Hub
15	1015-0107	2	Inner Cup LM29710
16	3023-0002	2	Spindle Assembly
17	0002-0179	2	Bolt, Hex Head 5/8 - 11 x 4"
18	3023-0003	1	Adjustable Axle
19	0001-0062	2	Clevis & Pin, Large
20	1013-0205	2	Hydraulic Hose Assembly 8' Long
21	1019-0181	1	Link Chain 1' Long
22	1010-0165	1	Lift Chain Bracket
23	1006-0122	1	Tongue Adjuster
24	0002-0349	1	Bolt, Hex Head 1 - 16 x 6"
25	1025-0008	1	Spring

32	1000-0000	1	Служба
34	1000-0000	1	Служба
35	1000-0000	1	Служба
36	1000-0000	1	Служба
37	1000-0000	1	Служба
38	1000-0000	1	Служба
39	1000-0000	1	Служба
40	1000-0000	1	Служба
41	1000-0000	1	Служба
42	1000-0000	1	Служба
43	1000-0000	1	Служба
44	1000-0000	1	Служба
45	1000-0000	1	Служба
46	1000-0000	1	Служба
47	1000-0000	1	Служба
48	1000-0000	1	Служба
49	1000-0000	1	Служба
50	1000-0000	1	Служба
51	1000-0000	1	Служба
52	1000-0000	1	Служба
53	1000-0000	1	Служба
54	1000-0000	1	Служба
55	1000-0000	1	Служба
56	1000-0000	1	Служба
57	1000-0000	1	Служба
58	1000-0000	1	Служба
59	1000-0000	1	Служба
60	1000-0000	1	Служба

НО  
БЕБ

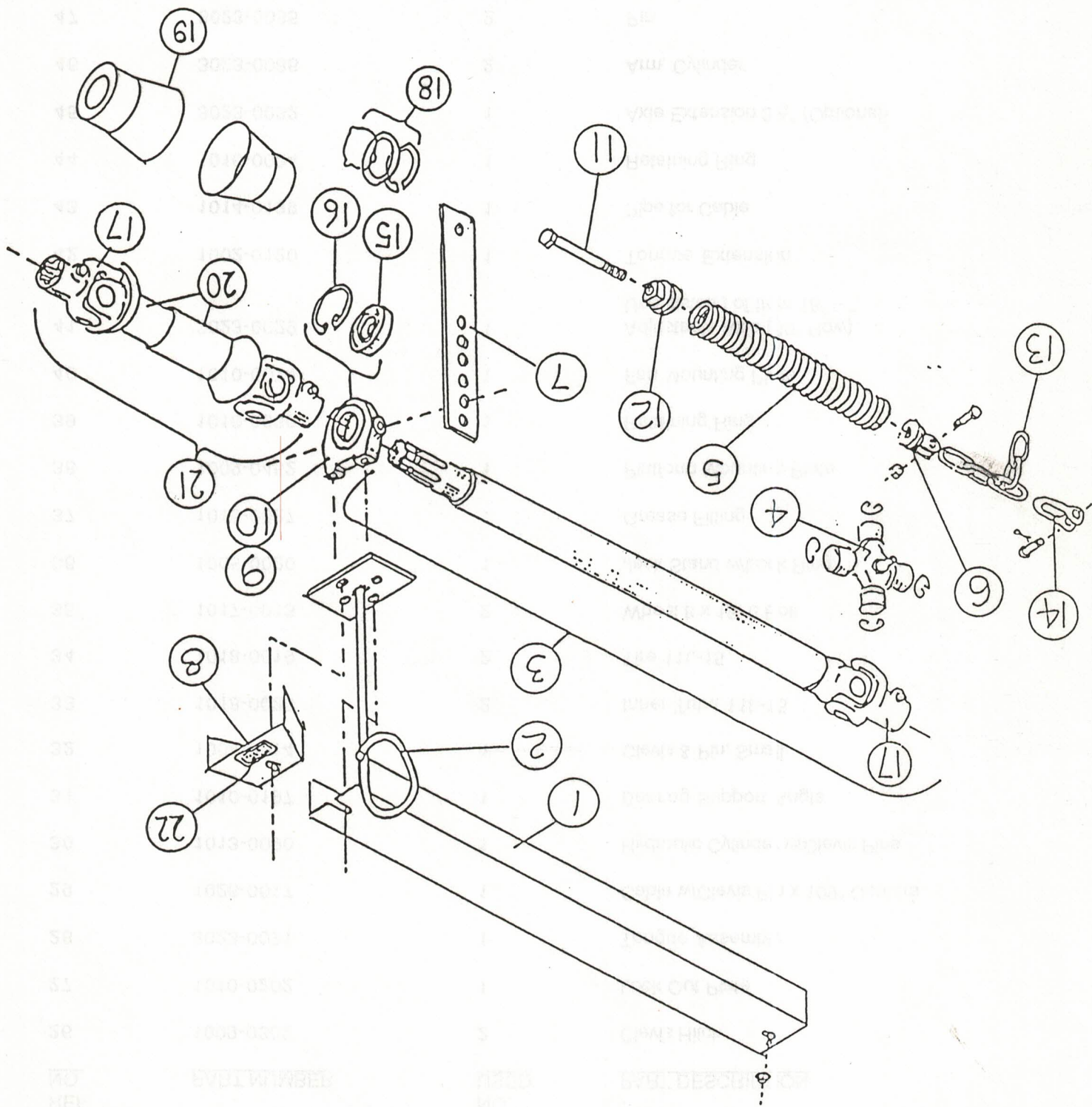
УВЕДЕНИЕ

УВЕДЕНИЕ

УВЕДЕНИЕ

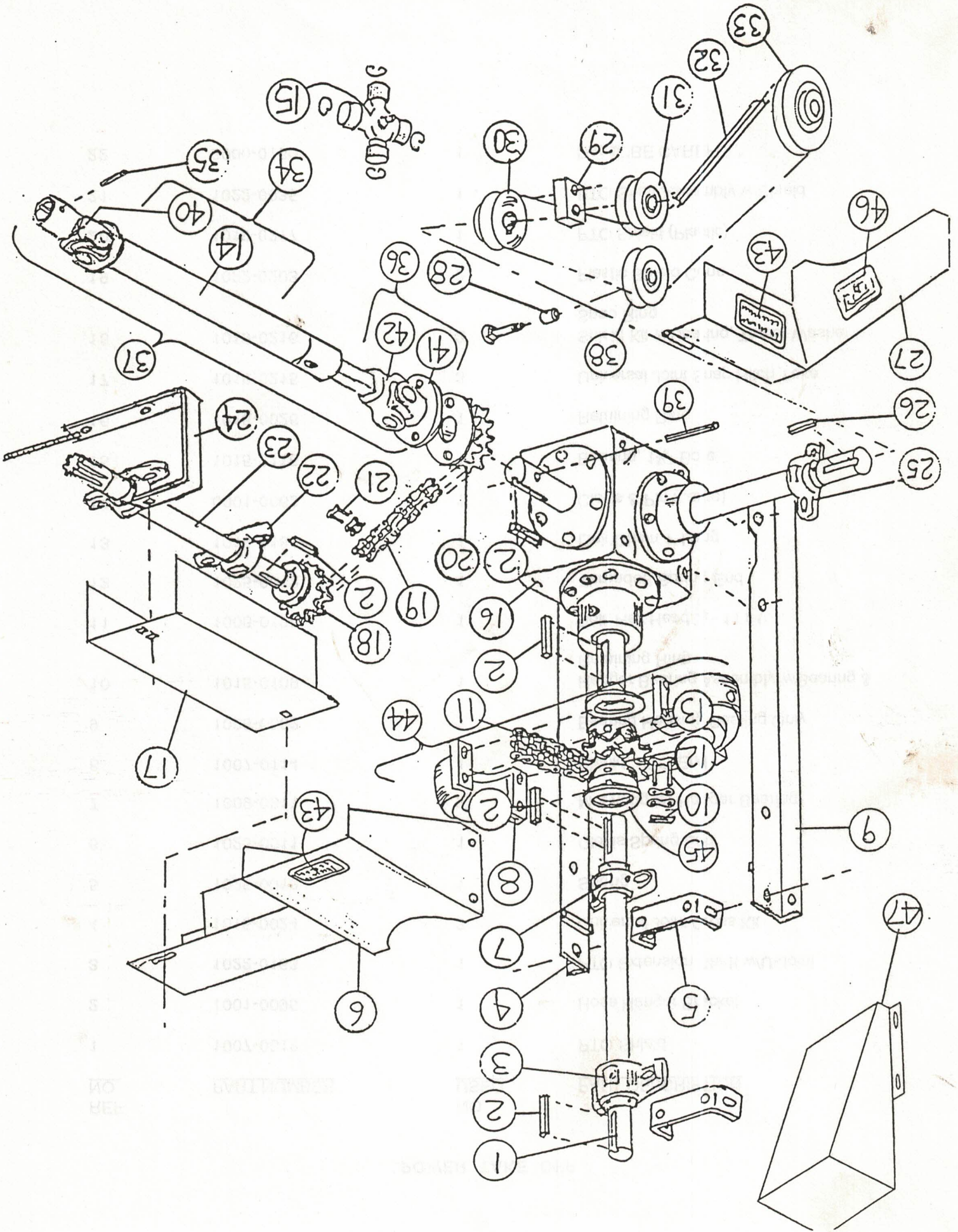
Main Frame (Continued)

REF NO.	PART NUMBER	NO. USED	PART DESCRIPTION
26	1009-0302	2	Clevis Hitch
27	1010-0202	1	Lock Out Plate
28	3023-0031	1	Tongue Assembly
29	1026-0017	1	Cable w/Clevis Pin x 109" Centers
30	1013-0090	1	Hydraulic Cylinder w/Clevis Pins
31	1010-0197	1	Bearing Support Angle
32	1004-0014	1	Clevis & Pin, Small
33	1018-0020	2	Inner Tube 11L-15
34	1018-0019	2	Tire 11L-15
35	1017-0013	2	Wheel 8 x 15, 6 Bolt
36	1005-0020	1	Jack Stand w/Lock Ring
37	1015-0027	1	Grease Fitting
38	1009-0452	1	Platform Mounting Plate
39	1016-0030	1	Retaining Ring
40	1010-0074	1	Fan Mounting Plate
41	3023-0029	1	Adjustable Axle (30" Row) Use instead of Item 18
42	1002-0120	1	Tongue Extension
43	1014-0199	1	Pipe for Cable
44	1016-0024	1	Retaining Ring
45	3023-0032	1	Axle Extension 3 1/2" (Optional)
46	3023-0086	2	Arm, Cylinder
47	3023-0085	2	Pin
48	1005-0016	AR	Seal Kit for 1013-0090
49	3023-0068	1	Axle Extension 12" (Optional)



POWER TAKE OFF

REF NO.	PART NUMBER	NO. USED	PART DESCRIPTION
1	1007-0319	1	PTO Shield
2	1001-0095	1	Hose Hanger Bracket
3	1022-0163	1	PTO Extension Shaft w/U-joint
4	1015-0024	3	Universal Joint Cross Kit
5	1025-0010	1	Spring
6	1025-0011	1	Clevis Spring End
7	1009-0311	2	Mounting for Hanger Bearing
8	1007-0114	1	Shield, PTO End
9	1008-0082	1	Bearing Housing Casting Only
10	1015-0109	1	Hanger Bearing Assembly w/Bearing & Retaining Ring
11	1006-0128	1	Bolt, Hex Head 5/8 - 11 x 9
12	1025-0012	1	Threaded Spring End
13	1019-0181	1	Link Chain 1' Long
14	0001-0062	1	Clevis & Pin (Large)
15	1015-0116	1	Bearing, 1 3/8" Bore
16	1016-0026	1	Retaining Ring
17	1019-0215	3	Universal Joint Snap Hitch Yoke
18	1019-0216	2	Shield Kit w/Bearing, Thrust Washer & Snap Ring
19	1022-0203	2	Plastic Shield Cone
20	1019-0217	1	PTO Shield (Plastic)
21	1022-0035	1	PTO Shaft Assembly w/Shield
22	3000-0160	1	Decal "BE CAREFUL"





COUNTER SHAFT & FAN GEAR BOX

REF NO.	PART NUMBER	NO. USED	PART DESCRIPTION
1	1022-0088	1	Vari-Speed Shaft
2 ✓	1006-0094	5	Key, 3/8 x 3/8 x 1 1/2"
3	1015-0080	1	Pillow Block Roller Bearing, 1 7/16" Bore
4	1023-0160	1	Gear Box Mounting Angle L.H.
5	1009-0145	2	Bearing Hanger
6	1007-0094	1	Fan Gear Box Shield
7	1015-0082	1	Pillow Block Ball Bearing 1 7/16" Bore
8	1019-0115	2	Housing Type P
9	1023-0159	1	Gear Box Mounting Angle R.H.
10	1019-0118	1	Connector Link RC-50-2
11	1019-0119	1	Coupling Chain RC50-2 x 16 Pitches
12	1019-0116	1	Sprocket RC50 16 w/1 7/16" Bore
13	1019-0117	1	Sprocket RC50 16 w/1 3/8" Bore
14	1019-0311	1	PTO Shaft Female End w/out Cross Kit & End Yoke
15	1015-0024	2	Universal Joint Cross Kit
16	1019-0108	1	Three Way Gear Box
17	1007-0097	1	Counter Shaft Shield
18 ✓	1019-0077	1	Sprocket Double 60B18T 1 3/8" Bore
19	1019-0178	1	Roller Chain Double 60 x 76 Pitches including Connecting Link
20	1019-0111	1	Sprocket Double 60B18T w/Plate
21	1019-0121	1	Double Strand RC60 Connector Link
22 ✓	1015-0067	2	Pillow Block Ball Bearing 1 3/8" Bore
23 ✓	1022-0095	1	PTO Counter Shaft
24	3023-0018	2	Chain Tightener & Shield Mounting

34	3033-0018	5	СРЕДН ПРАВОСЛАВЕН СЪВЕЩАНИЕ
33	1055-0082	1	СРЕДН ПРАВОСЛАВЕН СЪВЕЩАНИЕ
35	1042-0081	1	СРЕДН ПРАВОСЛАВЕН СЪВЕЩАНИЕ
31	1018-0111	1	СРЕДН ПРАВОСЛАВЕН СЪВЕЩАНИЕ
30	1018-0111	1	СРЕДН ПРАВОСЛАВЕН СЪВЕЩАНИЕ
28	1018-0111	1	СРЕДН ПРАВОСЛАВЕН СЪВЕЩАНИЕ
27	1018-0111	1	СРЕДН ПРАВОСЛАВЕН СЪВЕЩАНИЕ
26	1018-0111	1	СРЕДН ПРАВОСЛАВЕН СЪВЕЩАНИЕ
25	1018-0111	1	СРЕДН ПРАВОСЛАВЕН СЪВЕЩАНИЕ
24	1018-0111	1	СРЕДН ПРАВОСЛАВЕН СЪВЕЩАНИЕ
23	1018-0111	1	СРЕДН ПРАВОСЛАВЕН СЪВЕЩАНИЕ
22	1018-0111	1	СРЕДН ПРАВОСЛАВЕН СЪВЕЩАНИЕ
21	1018-0111	1	СРЕДН ПРАВОСЛАВЕН СЪВЕЩАНИЕ
20	1018-0111	1	СРЕДН ПРАВОСЛАВЕН СЪВЕЩАНИЕ
19	1018-0111	1	СРЕДН ПРАВОСЛАВЕН СЪВЕЩАНИЕ
18	1018-0111	1	СРЕДН ПРАВОСЛАВЕН СЪВЕЩАНИЕ
17	1018-0111	1	СРЕДН ПРАВОСЛАВЕН СЪВЕЩАНИЕ
16	1018-0111	1	СРЕДН ПРАВОСЛАВЕН СЪВЕЩАНИЕ
15	1018-0111	1	СРЕДН ПРАВОСЛАВЕН СЪВЕЩАНИЕ
14	1018-0111	1	СРЕДН ПРАВОСЛАВЕН СЪВЕЩАНИЕ
13	1018-0111	1	СРЕДН ПРАВОСЛАВЕН СЪВЕЩАНИЕ
12	1018-0111	1	СРЕДН ПРАВОСЛАВЕН СЪВЕЩАНИЕ
11	1018-0111	1	СРЕДН ПРАВОСЛАВЕН СЪВЕЩАНИЕ
10	1018-0111	1	СРЕДН ПРАВОСЛАВЕН СЪВЕЩАНИЕ
9	1018-0111	1	СРЕДН ПРАВОСЛАВЕН СЪВЕЩАНИЕ
8	1018-0111	1	СРЕДН ПРАВОСЛАВЕН СЪВЕЩАНИЕ
7	1018-0111	1	СРЕДН ПРАВОСЛАВЕН СЪВЕЩАНИЕ
6	1018-0111	1	СРЕДН ПРАВОСЛАВЕН СЪВЕЩАНИЕ
5	1018-0111	1	СРЕДН ПРАВОСЛАВЕН СЪВЕЩАНИЕ
4	1018-0111	1	СРЕДН ПРАВОСЛАВЕН СЪВЕЩАНИЕ
3	1018-0111	1	СРЕДН ПРАВОСЛАВЕН СЪВЕЩАНИЕ
2	1018-0111	1	СРЕДН ПРАВОСЛАВЕН СЪВЕЩАНИЕ
1	1018-0111	1	СРЕДН ПРАВОСЛАВЕН СЪВЕЩАНИЕ

№

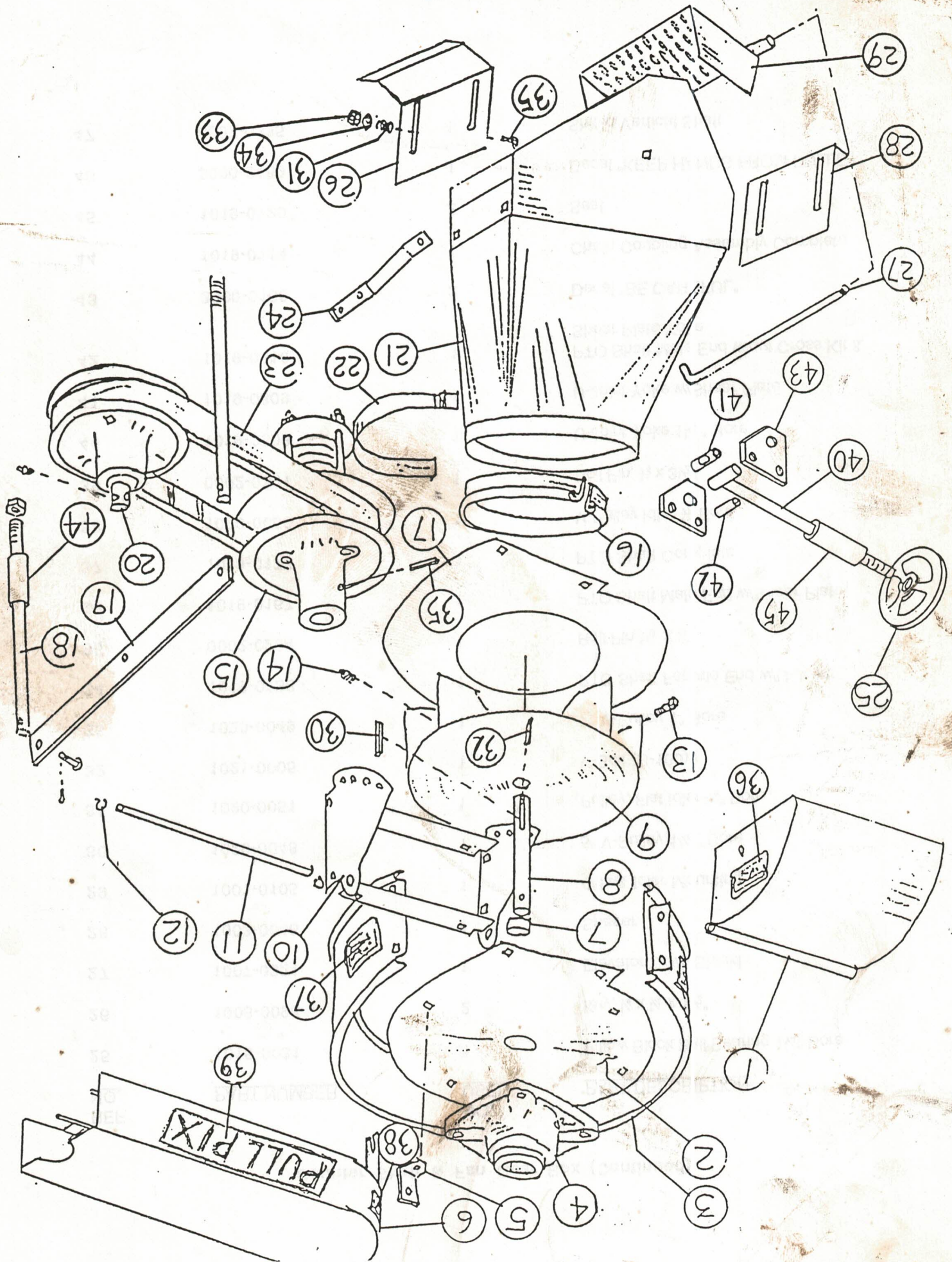
ПРЕДСТАВИТЕЛ

№

ПРЕДСТАВИТЕЛ

Counter Shaft & Fan Gear Box (Continued)

REF NO.	PART NUMBER	NO. USED	PART DESCRIPTION
25	1015-0031	1	Pillow Block Ball Bearing 1 1/4" Bore
26	1006-0093	2	Key, 1/4 x 1/4 x 1 1/2"
27	1007-0321	1	Elevator Drive Shield
28	1003-0046	1	Spacer
29	1001-0105	1	Offset Idler Mounting
30	1020-0048	1	5" V-Pulley 1 1/4" Bore
31	1020-0051	1	Pulley, Flat Idler 5/8" Bore
32	1021-0005	1	V-Belt (B-100)
33	1020-0049	1	7" V-Pulley 1" Bore
34	1019-0138	1	PTO Shaft Female End w/U-Joint
35	0002-0294	1	Roll Pin 5/16 x 2"
36	1019-0167	1	PTO Shaft Male End w/Shear Plate
37	1019-0177	1	PTO Shaft Complete
38	1020-0050	1	V-Pulley Idler 5/8 Bore
39	0002-0301	1	Roll Pin, 3/8 x 3 1/2"
40	1019-0308	1	U-Joint Yoke 1 1/4" Bore
41	1019-0309	1	U-Joint Yoke w/Shear Plate
42	1019-0310	1	PTO Shaft Male End w/out Cross Kit & Shear Plate Yoke
43	3000-0160	2	Decal "BE CAREFUL"
44	1019-0114	1	Chain Coupling Assembly Complete
45	1019-0120	2	Seal
46	3000-0189	1	Decal "KEEP HANDS FROM PULLEY"
47	4007-0335	1	Shield Vertical Shaft



FAN DRIVE & SUCTION LEG ASSEMBLY

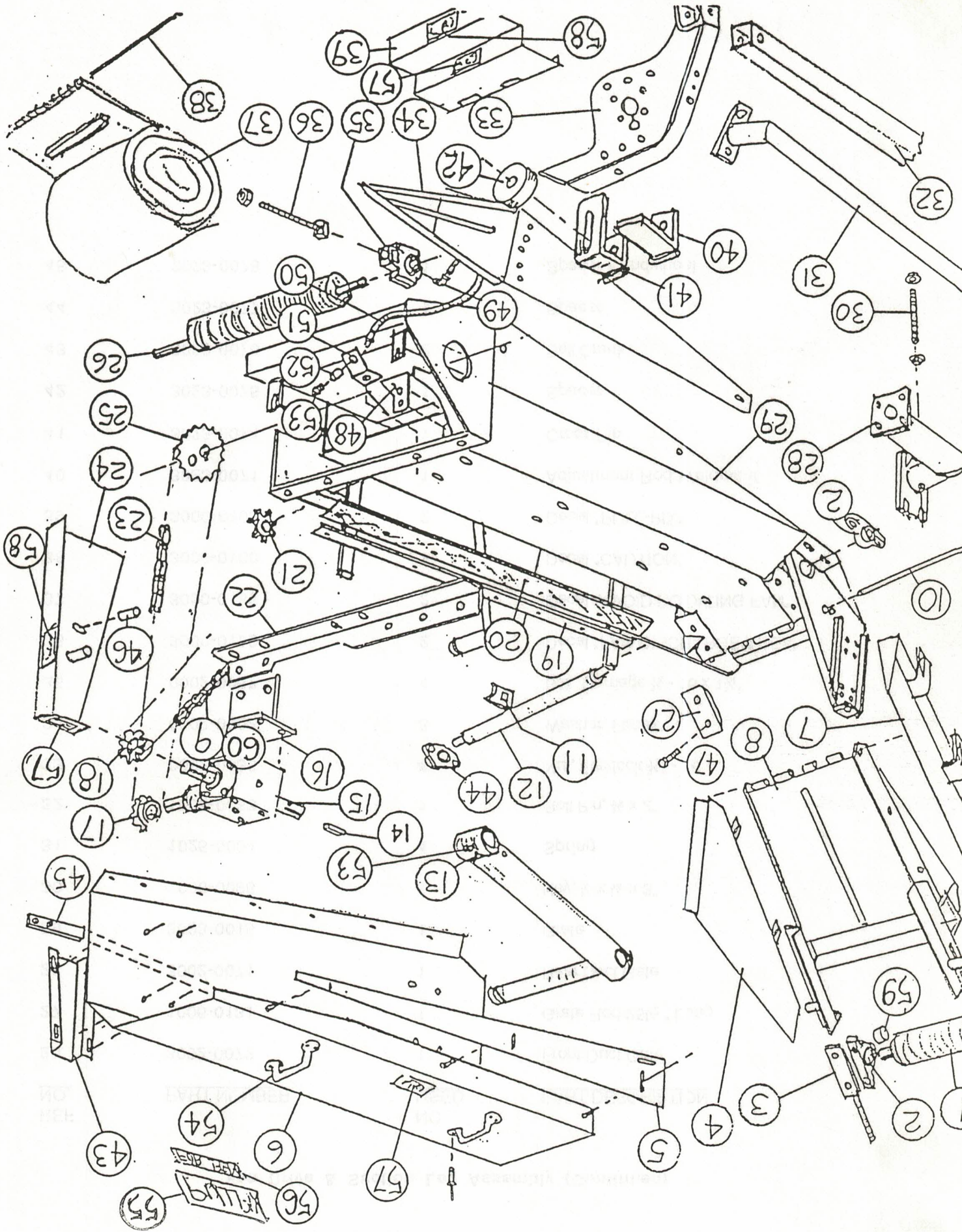
REF NO.	PART NUMBER	NO. USED	PART DESCRIPTION
1	3002-0067	1	Discharge Chute
2	3002-0060	1	Fan Housing Top Plate
3	3002-0062	1	Fan Housing
4	1015-0050		Flange Bearing Type "E" 4-Bolt 1 1/4 Bore
5	1023-0128	4	Fan Housing Hanger
6	1007-0101	1	Fan Shield
7	1003-0025	1	Spacer
8	1022-0096	1	Fan Shaft
9	3002-0066	1	Fan Rotor
10	1001-0078	1	Fan Housing Discharge
11	1006-0118	1	Rod, 1/2 x 19" Long
12	1016-0010	2	Retaining Ring
13	0002-0028	2	Set Screw, Square Head 3/8 - 16 x 1
14	1015-0027	1	Grease Fitting 1/8 NPT
15	1020-0021	1	Vari-Speed Sheave, Driven 1 1/4" Bore
16	1021-0075	1	Rubber Flange 65" Long
17	3002-0061	1	Fan Housing Bottom Plate
18	1022-0056	2	Sheave Adjusting Shaft
19	1009-0305	2	Flat
20	1020-0041	1	Vari-Speed Sheave Driver
21	3023-0016	1	Duct
22	1004-0004	2	Band
23	1021-0064	1	Vari-Speed Belt
24	1009-0304	2	Duct Hanger Flat
25	1008-0015	1	Hand Wheel

DATE	EVIDENCE	QTY	DESCRIPTION
1	1000-0001	1	...
2	1000-0002	1	...
3	1000-0003	1	...
4	1000-0004	1	...
5	1000-0005	1	...
6	1000-0006	1	...
7	1000-0007	1	...
8	1000-0008	1	...
9	1000-0009	1	...
10	1000-0010	1	...
11	1000-0011	1	...
12	1000-0012	1	...
13	1000-0013	1	...
14	1000-0014	1	...
15	1000-0015	1	...
16	1000-0016	1	...
17	1000-0017	1	...
18	1000-0018	1	...
19	1000-0019	1	...
20	1000-0020	1	...
21	1000-0021	1	...
22	1000-0022	1	...
23	1000-0023	1	...
24	1000-0024	1	...
25	1000-0025	1	...

...

Fan Drive & Suction Leg Assembly (Continued)

REF NO.	PART NUMBER	NO. USED	PART DESCRIPTION
26	3002-0072	1	Front Duct Gate
27	1006-0131	1	Grate Rod 25½" Long
28	3002-0071	1	Rear Duct Gate
29	3023-0015	1	Grate
30	1006-0095	1	Key, ¼ x ¼ x 3"
31	1025-0004	4	Spring
32	1006-0033	1	Roll Pin, ⅜ x 2"
33	0002-0036	4	Nut, Flexlock ⅜" - 16
34	0002-0002	8	Washer, Flat ⅜"
35	0002-0057	4	Bolt, Carriage ⅜" - 16 x 1¾"
36	3000-0192	2	Decal "FAN DISCHARGE AREA"
37	3000-0186	2	Decal "AVOID ROTATING FAN"
38	3000-0160	1	Decal "CAUTION"
39	3000-0200	2	Decal "PULL-PIX"
40	3023-0071	1	Adjustment Rod Weldment
41	3023-0074	1	Cross Pin
42	3023-0075	1	Spacer
43	3023-0076	2	Bell Crank
44	3023-0077	1	Spacer
45	3023-0078	1	Spacer Handwheel





PICKING HEAD ASSEMBLY

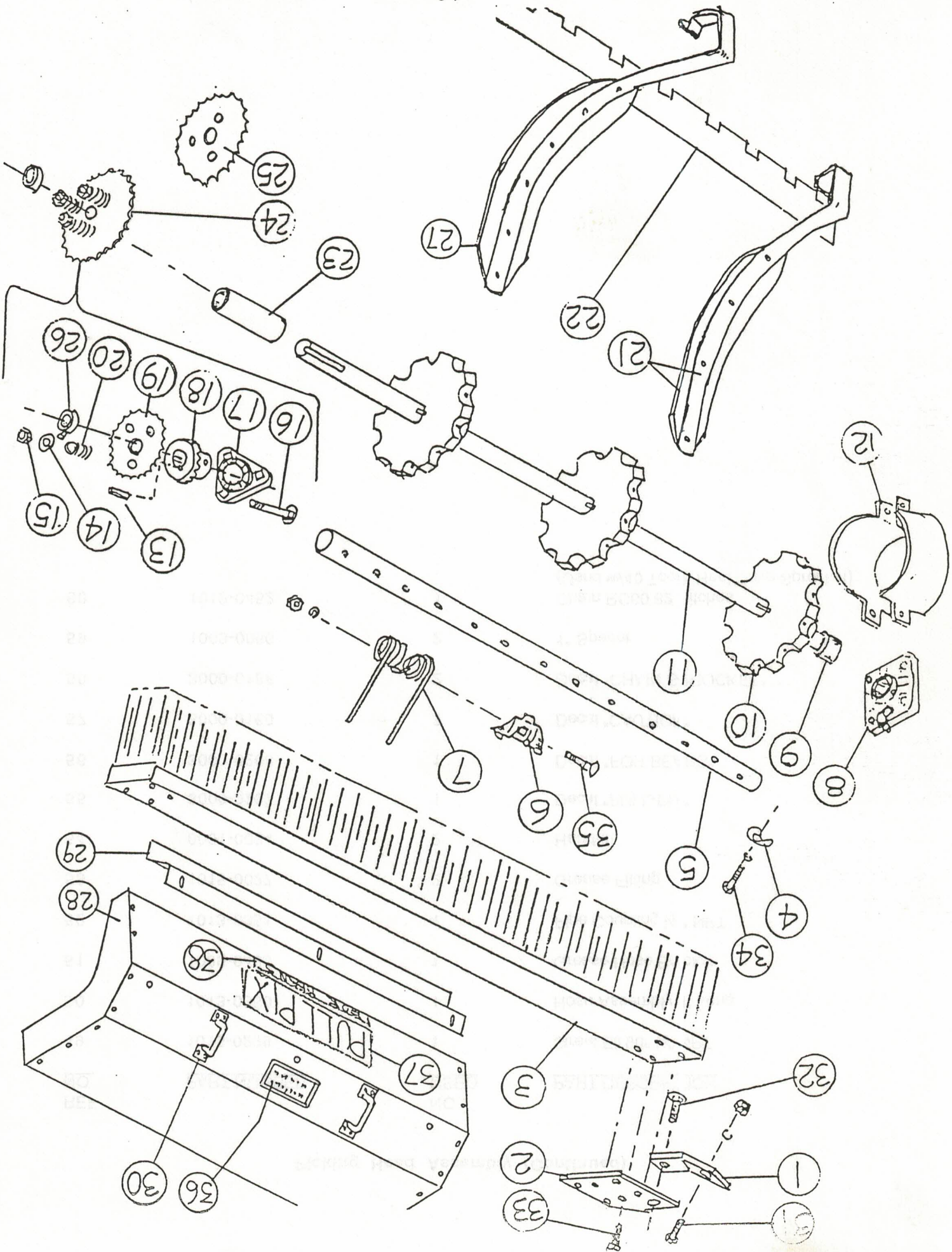
REF NO.	PART NUMBER	USED	PART DESCRIPTION
1	1020-0044	1	Idle Roller
2	1015-0078	3	Pillow Block Ball Bearing 1" Bore
3	3014-0004	2	Tightener Assembly
4	3023-0021	1	Bean Shield L.H.
5	1007-0109	1	Shield Strip
6	1007-0105	1	Backboard, Sheet Only
7	3004-0054	1	Bean Shield R.H.
8	3023-0020	1	Lower Conveyor Idle End
9	1019-0335	1	Roller Chain RC60 x 88 Pitches including Connector Link
10	1006-0124	1	Hinge Rod
11	1009-0309	2	Scow Retainer Clip
12	1022-0097	1	Idle Roller 1 3/8" OD
13	3023-0028	1	Crank
14	1006-0093	1	Key, 1/4 x 1/4 x 1 1/2"
15	1019-0165	1	Gear Box
16	3023-0019	1	Reel Gear Box Mounting Plate
17	1019-0073	1	Sprocket RC50B13T 1 1/4" Bore
18	1019-0131	1	Sprocket RC60B13T 1 1/4" Bore
19	1009-0089	2	Seal Cover
20	1021-0059	2	Sealer Belt
21	1019-0051	1	Idle Sprocket RC50 3/8 Bore
22	1023-0161	1	Front Support Angle
23	1021-0086	1	Roller Chain RC50 x 80 Pitches including Connector Link
24	1007-0110	1	Scow Drive Shield

Picking Head Assembly (Continued)

REF NO.	PART NUMBER	NO. USED	PART DESCRIPTION
25	1019-0025	1	Sprocket RC50B32T 1" Bore
26	1020-0045	1	Drive Roller
27	1027-0001	2	Plastic Wear Shoe
28	3004-0075	1	Elbow
29	3023-0017	1	One Row Scow
30	1012-0072	1	Threaded Rod, 1/2" - 13 x 9
31	1007-0015	1	Reel Guard
32	1024-0002	1	Stripper Tube
33	3004-0038	2	Reel Support R.H.
34	3012-0015	1	Adjustable Row Divider R.H.
35	1015-0033	2	Take-Up Bearing 1" Bore
36	1012-0026	2	Threaded Rod & Nut
37	1021-0077	1	Lower Conveyor Belt 18" x 21'10" Long
38	1006-0130	1	Lacing Wire
39	1007-0331	1	Shield R.H.
40	1001-0063	1	Shield Mounting Bracket R.H.
41	1001-0062	1	Tightener Bracket & Shield Mounting
42	1027-0010	1	Plastic Idler
43	1007-0108	2	Stake Pocket
44	1015-0108	1	Flange Ball Bearing 1" Bore
45	1009-0335	2	Middle Divider Support
46	1014-0135	1	Pipe Spacer
47	0002-0351	4	Bolt, Hex Head 5/16" - 18 x 3/4" Nylon
48	1012-0117	1	Belt Sealer

Picking Head Assembly (Continued)

REF NO.	PART NUMBER	NO. USED	PART DESCRIPTION
49	1013-0299	1	Street Ell 90° 1/8" NPT
50	1013-0350	1	Hose Assembly 1' Long
51	1009-0485	1	Grease Hose Bracket
52	1013-0351	1	Pipe Coupling 1/8" NPT
53	1015-0027	2	Grease Fitting
54	0001-0024	2	Handle
55	3000-0207	1	Decal "PULL-PIX"
56	3000-0208	1	Decal "FOR BEANS"
57	3000-0160	3	Decal "CAUTION"
58	3000-0188	2	Decal "CHAIN SPROCKET"
59	1003-0066	2	1" Spacer
60	1019-0452	1	Chain RC60 82 Pitches (Used w/40 Tooth Reel Drive Sprocket)



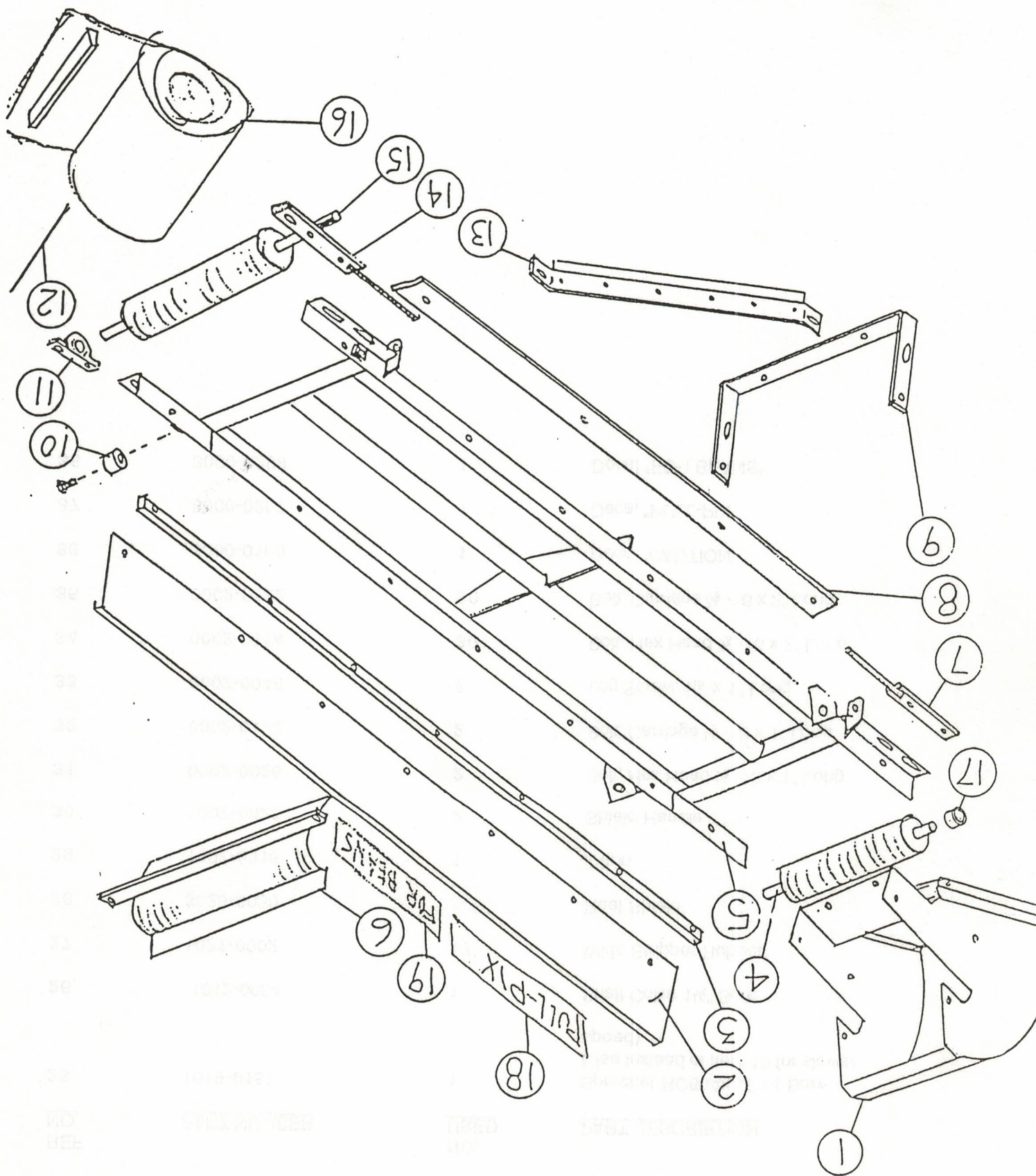
REEL & STRIPPER ASSEMBLY

REF NO.	PART NUMBER	NO. USED	PART DESCRIPTION
1	1009-0101	2	Bracket
2	1009-0100	2	Brush Mounting Plate
3	3004-0049	1	Brush
4	1016-0008	30	Washer, Half Moon 3/8"
5	1014-0003	10	Reel Pipe
6	3004-0076	90	Wide Reel Clip
7	3004-0004	90	Wide Picking Finger
8	1015-0007	2	Flange Ball Bearing 1 1/4" Bore
9	1003-0049	1	Spacer 2 1/2" Long
10	1008-0024	3	Reel Spider
11	1022-0050	1	Reel Shaft 1 1/4 Diameter x 82 1/2" Long
12	1021-0063	2	Wrapping Guard
13	1006-0093	1	Key, 1/4 x 1/4 x 1 1/2"
14	0002-0050	3	Washer, Flat 5/8"
15	0002-0331	3	Nut, Flexlock 5/8" - 11
16	0002-0047	3	Bolt, Carriage 5/8 - 11 x 4 1/2"
17	1008-0050	1	Clutch Plate
18	1008-0051	1	Clutch Hub
19	1019-0107	1	Sprocket RC60A40T 1 1/4" Bore (See Item 25)
20	1025-0006	3	Compression Spring
21	3004-0059	17	Wide Stripper Assembly
22	1009-0280	1	Stripper Aligner, Fresh Market Reel
23	1003-0012	1	Spacer 8 1/8" Long
24	3015-0008	1	Reel Drive Sprocket w/Clutch Assembly

34	8000-0103	1	1980-01-03
33	1000-0001	1	1980-01-01
32	0050-0001	1	1980-01-01
31	8000-0001	1	1980-01-01
30	8000-0001	1	1980-01-01
29	1000-0101	1	1980-01-01
28	1000-0001	1	1980-01-01
27	0050-0001	1	1980-01-01
26	1000-0001	1	1980-01-01
25	1000-0001	1	1980-01-01
24	1000-0001	1	1980-01-01
23	1000-0001	1	1980-01-01
22	1000-0001	1	1980-01-01
21	1000-0001	1	1980-01-01
20	1000-0001	1	1980-01-01
19	1000-0001	1	1980-01-01
18	1000-0001	1	1980-01-01
17	1000-0001	1	1980-01-01
16	1000-0001	1	1980-01-01
15	1000-0001	1	1980-01-01
14	1000-0001	1	1980-01-01
13	1000-0001	1	1980-01-01
12	1000-0001	1	1980-01-01
11	1000-0001	1	1980-01-01
10	1000-0001	1	1980-01-01
9	1000-0001	1	1980-01-01
8	1000-0001	1	1980-01-01
7	1000-0001	1	1980-01-01
6	1000-0001	1	1980-01-01
5	1000-0001	1	1980-01-01
4	1000-0001	1	1980-01-01
3	1000-0001	1	1980-01-01
2	1000-0001	1	1980-01-01
1	1000-0001	1	1980-01-01

Reel & Stripper Assembly (Continued)

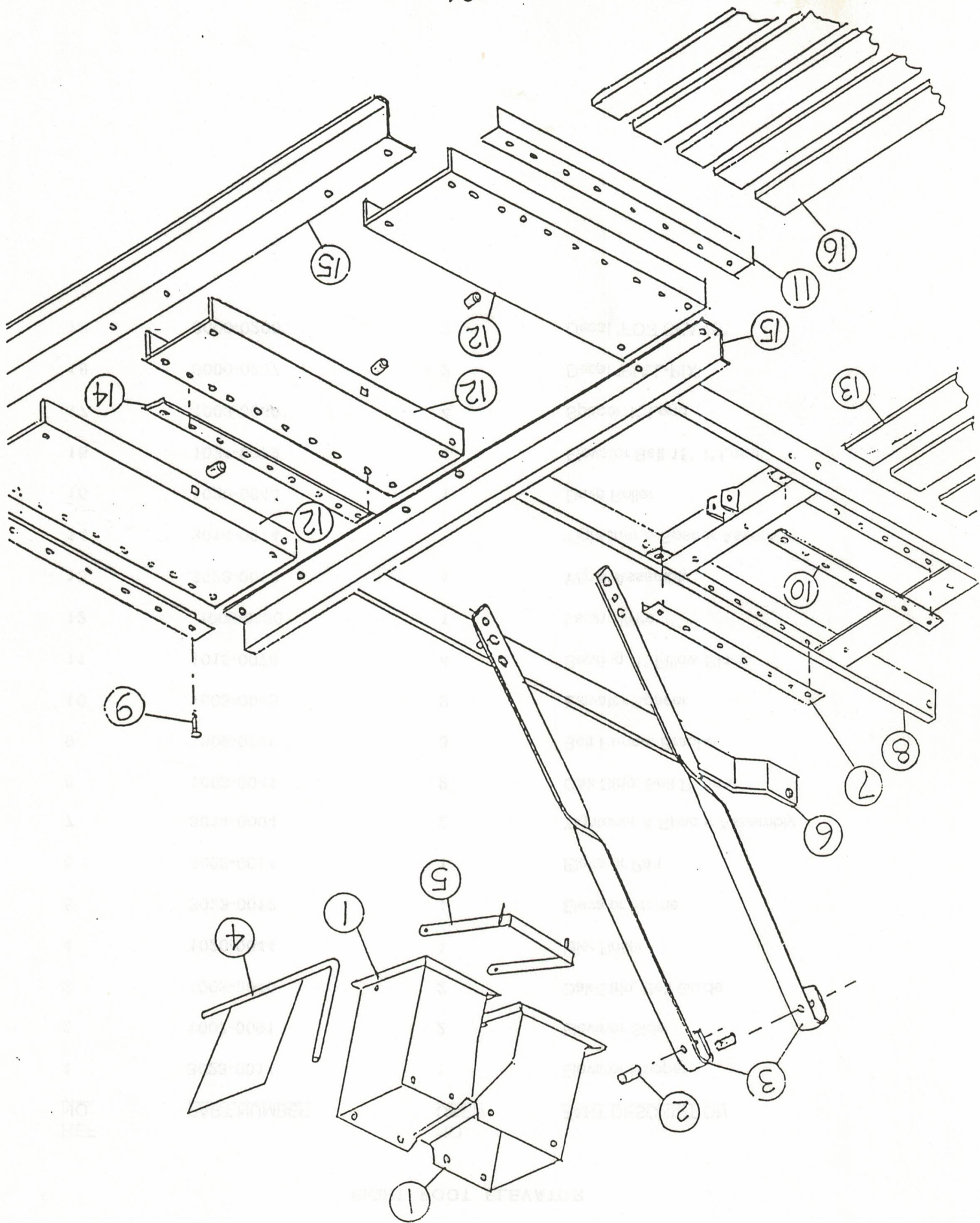
REF NO.	PART NUMBER	NO. USED	PART DESCRIPTION
25	1019-0157	1	Sprocket RC60A48T 1 1/4 Bore (Use instead of item 19 for slower speed)
26	1012-0064	1	Shaft Collar 1 1/4" Bore
27	1021-0002	17	Wide Stripper Rubber
28	3023-0030	1	Reel Shield
29	1007-0316	1	Z Iron
30	1007-0322	2	Shield Handle
31	0002-0026	2	Bolt, Hex Head 1/2 -13 x 1" Long
32	0002-0128	2	Bolt, Carriage 1/2 -13 x 1" Long
33	0002-0040	8	Lag Screw, 5/16 x 1" Long
34	0002-0114	30	Bolt, Hex Head 3/8 -16 x 2" Long
35	0002-0102	90	Bolt, Carriage 3/8 -16 x 2" Long
36	3000-0160	1	Decal "CAUTION"
37	3000-0207	1	Decal "PULL-PIX"
38	3000-0208	1	Decal "FOR BEANS"





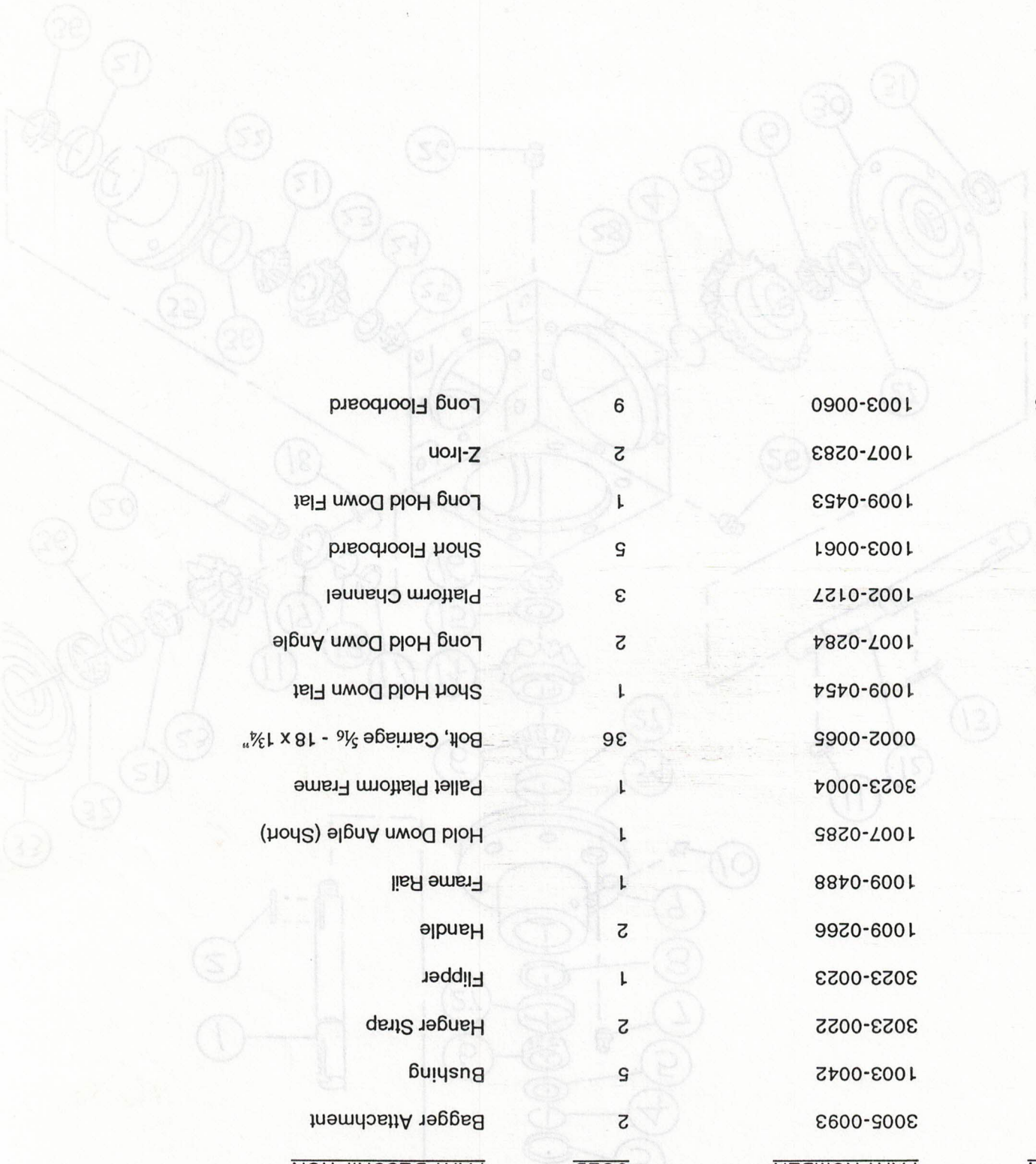
EIGHT FOOT ELEVATOR

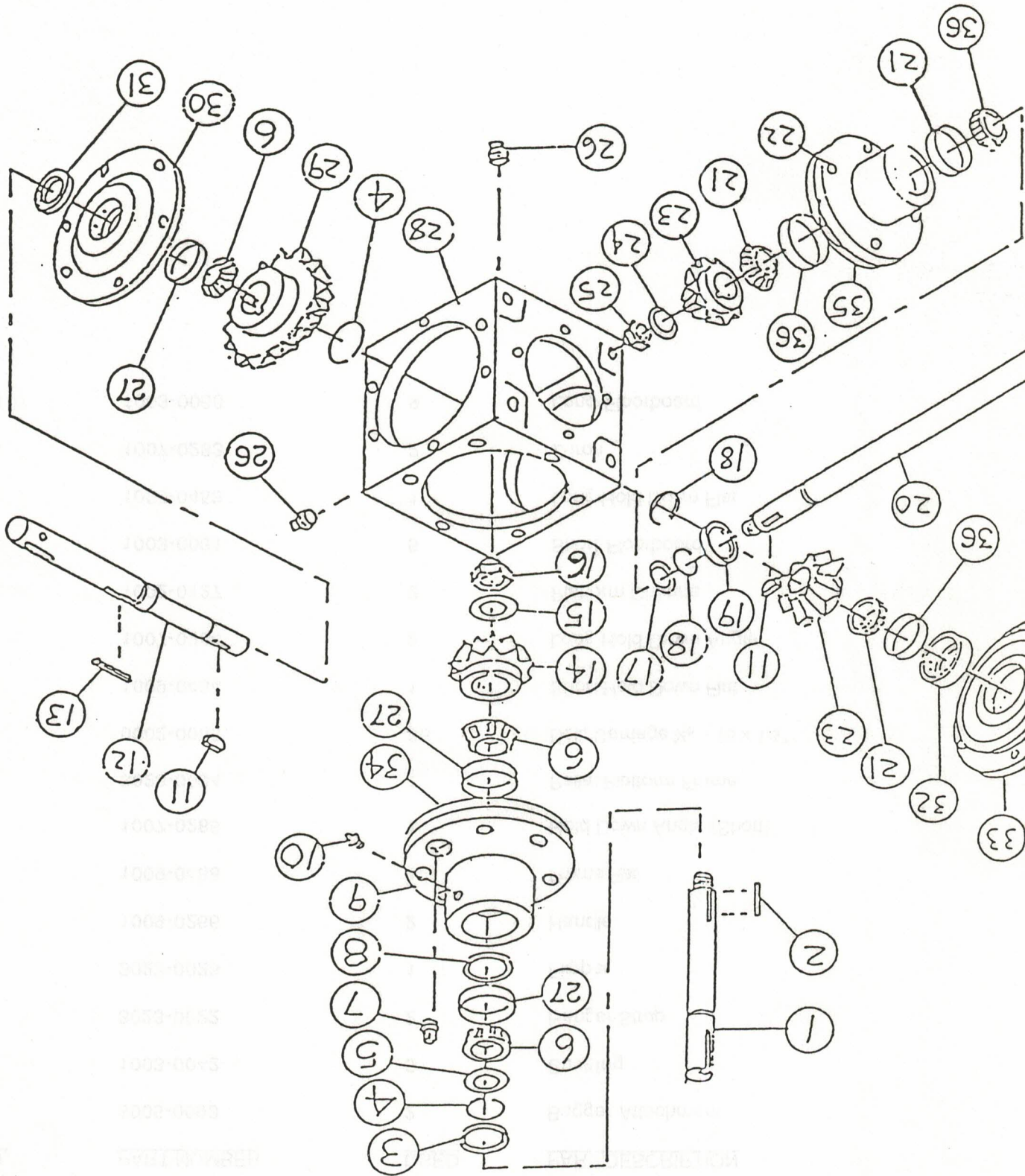
REF NO.	PART NUMBER	NO. USED	PART DESCRIPTION
1	3023-0011	1	Elevator Hopper
2	1007-0091	2	Elevator Side
3	1003-0040	2	Oak Strip, Belt Guide
4	1020-0044	1	Idler Roller
5	3023-0012	1	Elevator Frame
6	3023-0014	1	Elevator Pan
7	3014-0004	2	Tightener & Spacer Assembly
8	1003-0041	2	Oak Strip, Belt Runner
9	1009-0298	3	Belt Runner Bracket
10	1003-0043	2	Elevator Spacer
11	1015-0078	4	Bearing, 1" Pillow Block
12	1006-0130	1	Lacing Wire
13	3023-0013	1	Wiper Assembly
14	3014-0014	2	Tightener & Spacer Assembly
15	1020-0043	1	Drive Roller
16	1021-0079	1	Elevator Belt 15' 4" Long
17	1003-0066	4	Spacer 1" Long
18	3000-0207	2	Decal "PULL-PIX"
19	3000-0208	2	Decal "FOR BEANS"



BAGGER PLATFORM

REF NO.	PART NUMBER	NO. USED	PART DESCRIPTION
1	3005-0093	2	Bagger Attachment
2	1003-0042	5	Bushing
3	3023-0022	2	Hanger Strap
4	3023-0023	1	Flipper
5	1009-0266	2	Handle
6	1009-0488	1	Frame Rail
7	1007-0285	1	Hold Down Angle (Short)
8	3023-0004	1	Pallet Platform Frame
9	0002-0065	36	Bolt, Carriage $\frac{5}{16}$ - 18 x $1\frac{3}{4}$ "
10	1009-0454	1	Short Hold Down Flat
11	1007-0284	2	Long Hold Down Angle
12	1002-0127	3	Platform Channel
13	1003-0061	5	Short Floorboard
14	1009-0453	1	Long Hold Down Flat
15	1007-0283	2	Z-Iron
16	1003-0060	9	Long Floorboard





FAN DRIVE GEAR BOX  
(1019-0108)

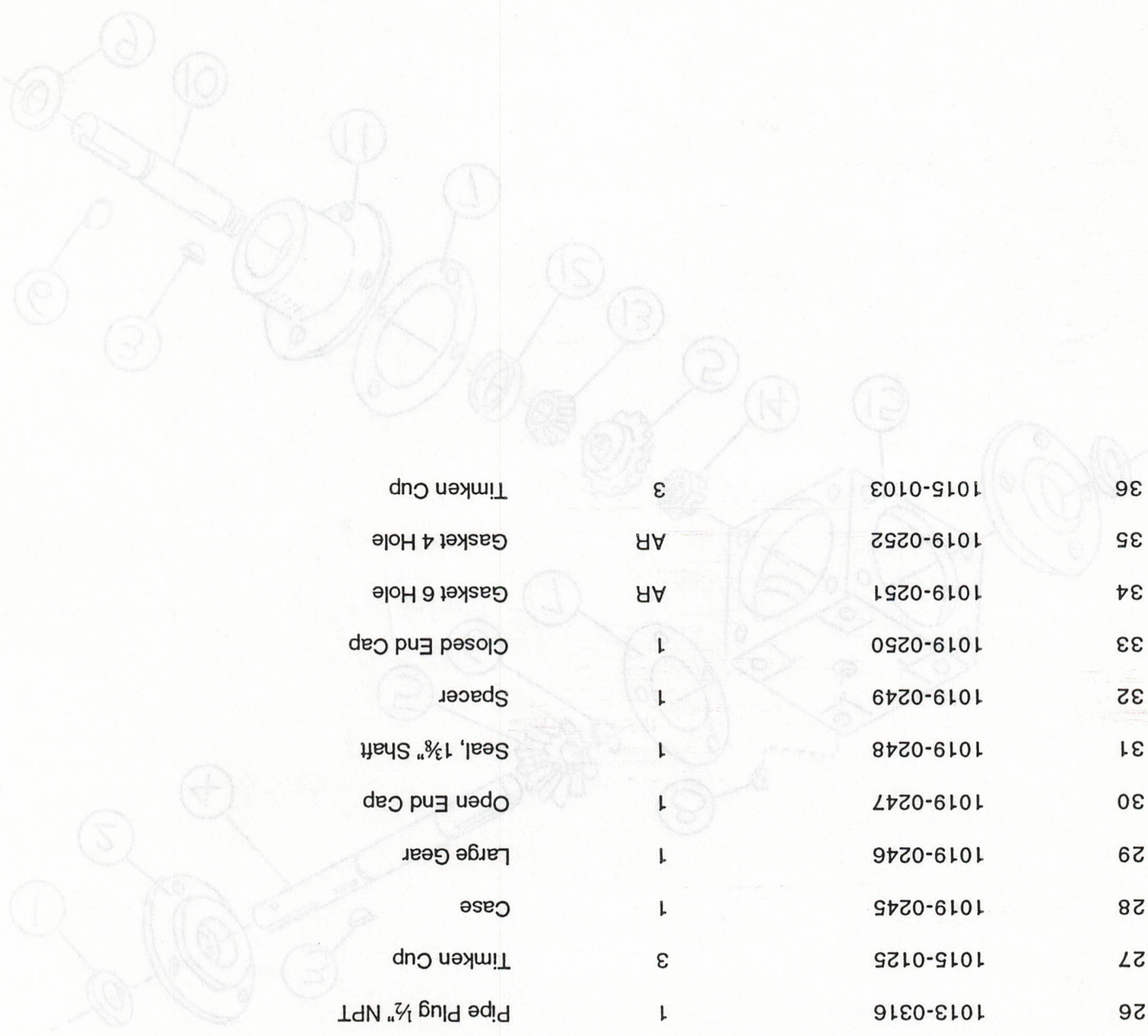
REF NO.	PART NUMBER	NO. USED	PART DESCRIPTION
1	1022-0110	1	Vertical Pinion Shaft
2	1006-0159	1	Key, 5/16 x 3/16 x 1 1/2"
3	1019-0221	1	Seal, 1 3/8" Shaft
4	1019-0222	2	Snap Ring
5	1019-0223	1	Spacer Washer
6	1015-0062	3	Timken Cone
7	1019-0258	1	Gear Box Breather
8	1019-0226	1	Seal, 1 3/8" Shaft
9	1019-0227	1	Pinion Housing
10	1015-0027	1	Grease Fitting
11	1019-0229	2	Woodruff Key
12	1022-0111	1	Input Shaft, 1 3/8"
13	1019-0230	1	Key, 5/16 x 3/16 x 1 3/4"
14	1019-0231	1	Pinion Gear
15	1019-0232	1	Pinion Washer
16	1019-0233	1	Pinion Nut
17	1019-0234	1	Spacer Washer
18	1019-0235	2	Snap Ring
19	1019-0236	1	Seal, 1 1/4" Shaft
20	1022-0099	1	Pinion Shaft
21	1015-0106	3	Timken Cone
22	1019-0239	1	Pinion Housing
23	1019-0240	2	Gear
24	1019-0241	1	Pinion Washer

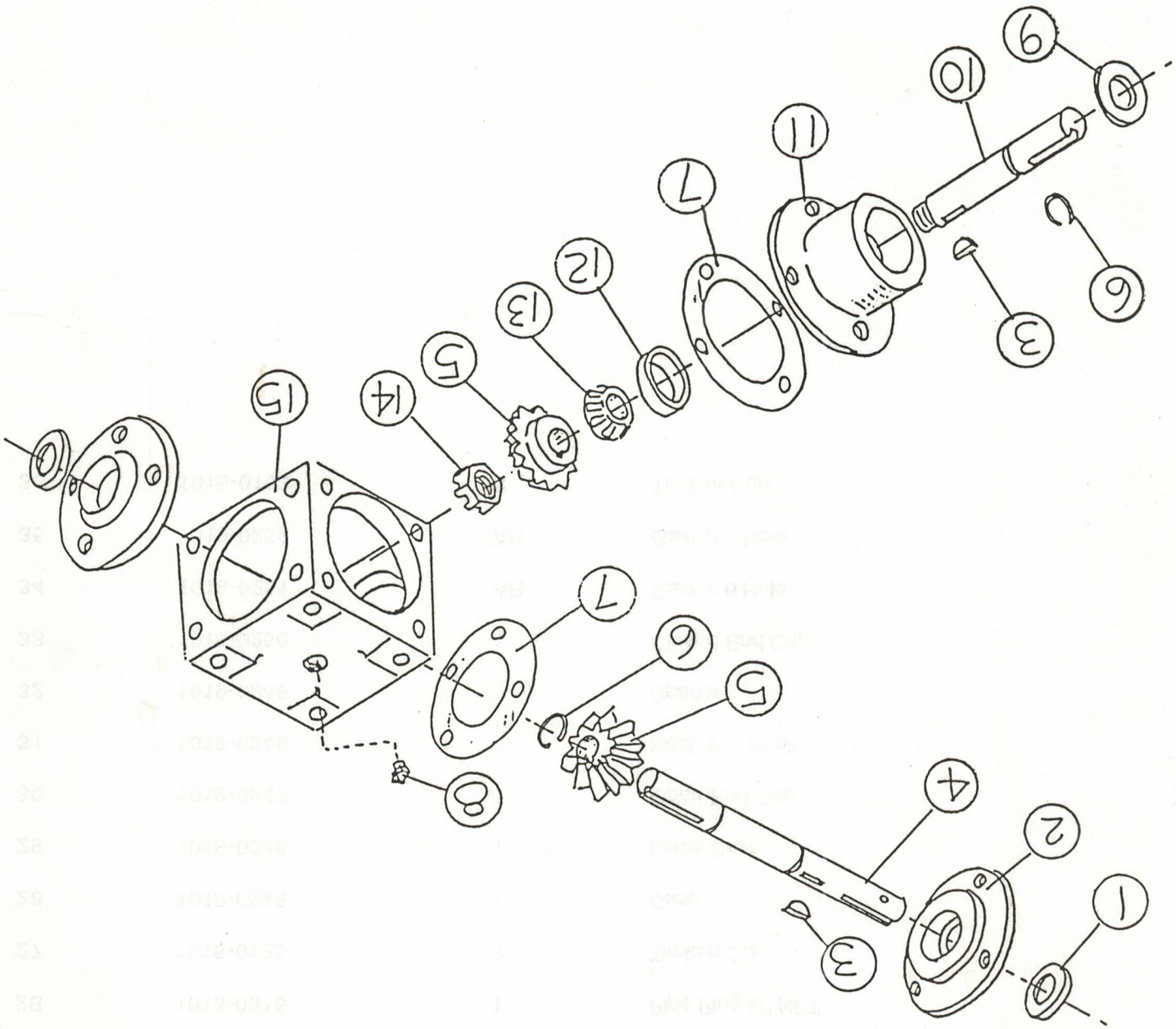
NO	SYMBOL	UNIT	DESCRIPTION
54	1018-0511	1	...
55	1018-0512	1	...
56	1018-0513	1	...
57	1018-0514	1	...
58	1055-0520	1	...
59	1018-0515	1	...
60	1018-0516	1	...
61	1018-0517	1	...
62	1018-0518	1	...
63	1018-0519	1	...
64	1018-0520	1	...
65	1055-0521	1	...
66	1018-0522	1	...
67	1018-0523	1	...
68	1018-0524	1	...
69	1018-0525	1	...
70	1018-0526	1	...
71	1018-0527	1	...
72	1018-0528	1	...
73	1018-0529	1	...
74	1018-0530	1	...
75	1018-0531	1	...
76	1018-0532	1	...
77	1018-0533	1	...
78	1018-0534	1	...
79	1018-0535	1	...
80	1018-0536	1	...
81	1018-0537	1	...
82	1018-0538	1	...
83	1018-0539	1	...
84	1018-0540	1	...
85	1018-0541	1	...
86	1018-0542	1	...
87	1018-0543	1	...
88	1018-0544	1	...
89	1018-0545	1	...
90	1018-0546	1	...
91	1018-0547	1	...
92	1018-0548	1	...
93	1018-0549	1	...
94	1018-0550	1	...
95	1018-0551	1	...
96	1018-0552	1	...
97	1018-0553	1	...
98	1018-0554	1	...
99	1018-0555	1	...
100	1018-0556	1	...

Fan Drive Gear Box (Continued)  
 (1019-0108)

REF NO. PART NUMBER USED NO. PART DESCRIPTION

25	1019-0242	1	Pinion Nut
26	1013-0316	1	Pipe Plug 1/2" NPT
27	1015-0125	3	Timken Cup
28	1019-0245	1	Case
29	1019-0246	1	Large Gear
30	1019-0247	1	Open End Cap
31	1019-0248	1	Seal, 1 3/8" Shaft
32	1019-0249	1	Spacer
33	1019-0250	1	Closed End Cap
34	1019-0251	AR	Gasket 6 Hole
35	1019-0252	AR	Gasket 4 Hole
36	1015-0103	3	Timken Cup







CONVEYOR DRIVE GEAR BOX  
(1019-0165)

REF NO. PART NUMBER NO. USED

PART DESCRIPTION

Seal, 1 3/8" Shaft

End Cap

Woodruff Key

Through Shaft

Mitre Gears

Snap Ring

Gasket

Gear Box Breather, 1/8" NPT

Seal, 1 1/4" Shaft (Pinion)

Pinion Shaft

Pinion Housing

Timken Cup

Timken Cone

Pinion Nut

Case

1019-0254

1019-0255

1019-0229

1022-0135

1019-0257

1019-0235

1019-0252

1019-0258

1019-0236

1022-0134

1019-0260

1015-0103

1015-0106

1019-0242

1019-0261

2

2

2

1

2

3

AR

1

1

1

1

4

4

1

1

1

1

2

3

4

5

6

7

8

9

10

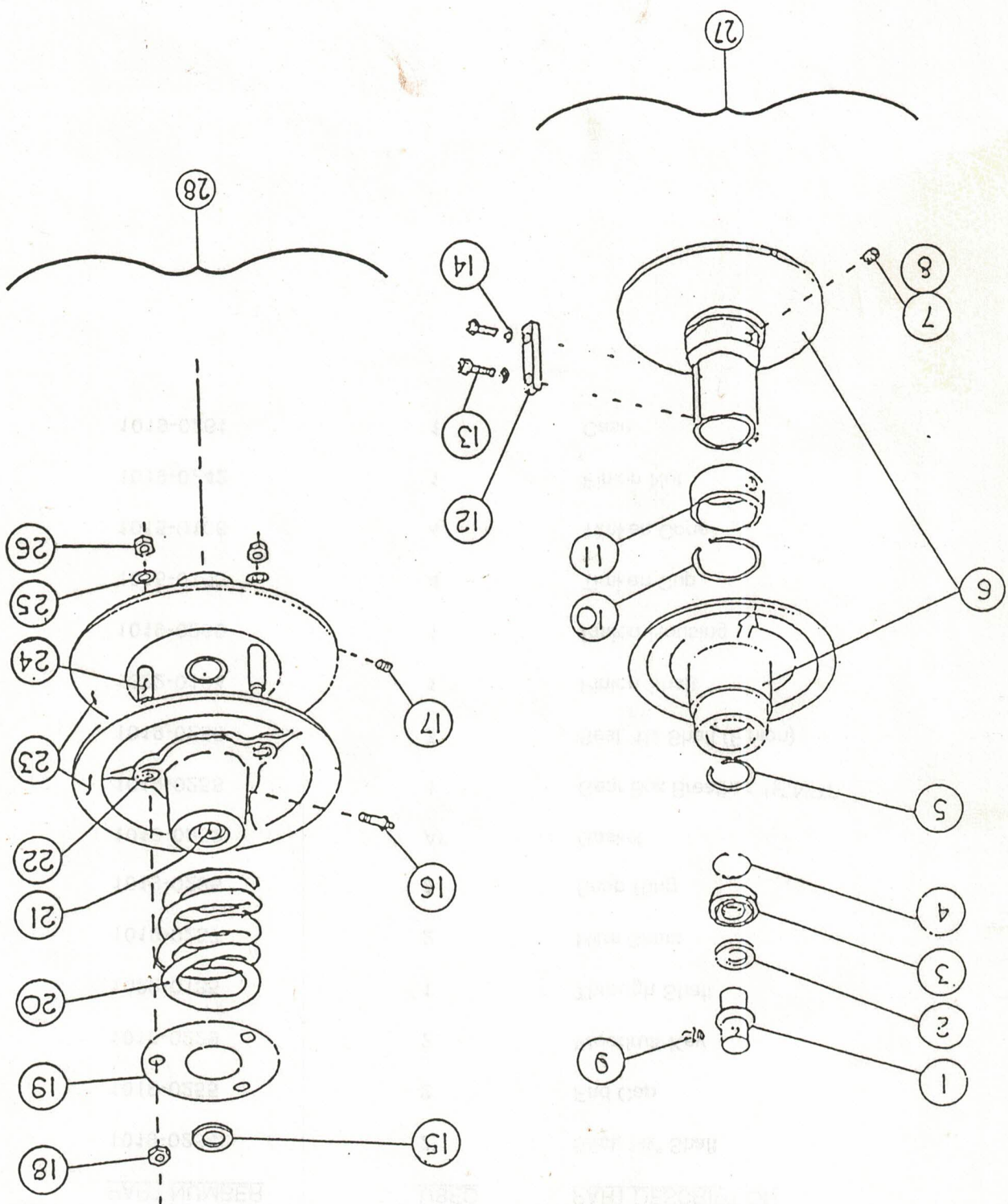
11

12

13

14

15

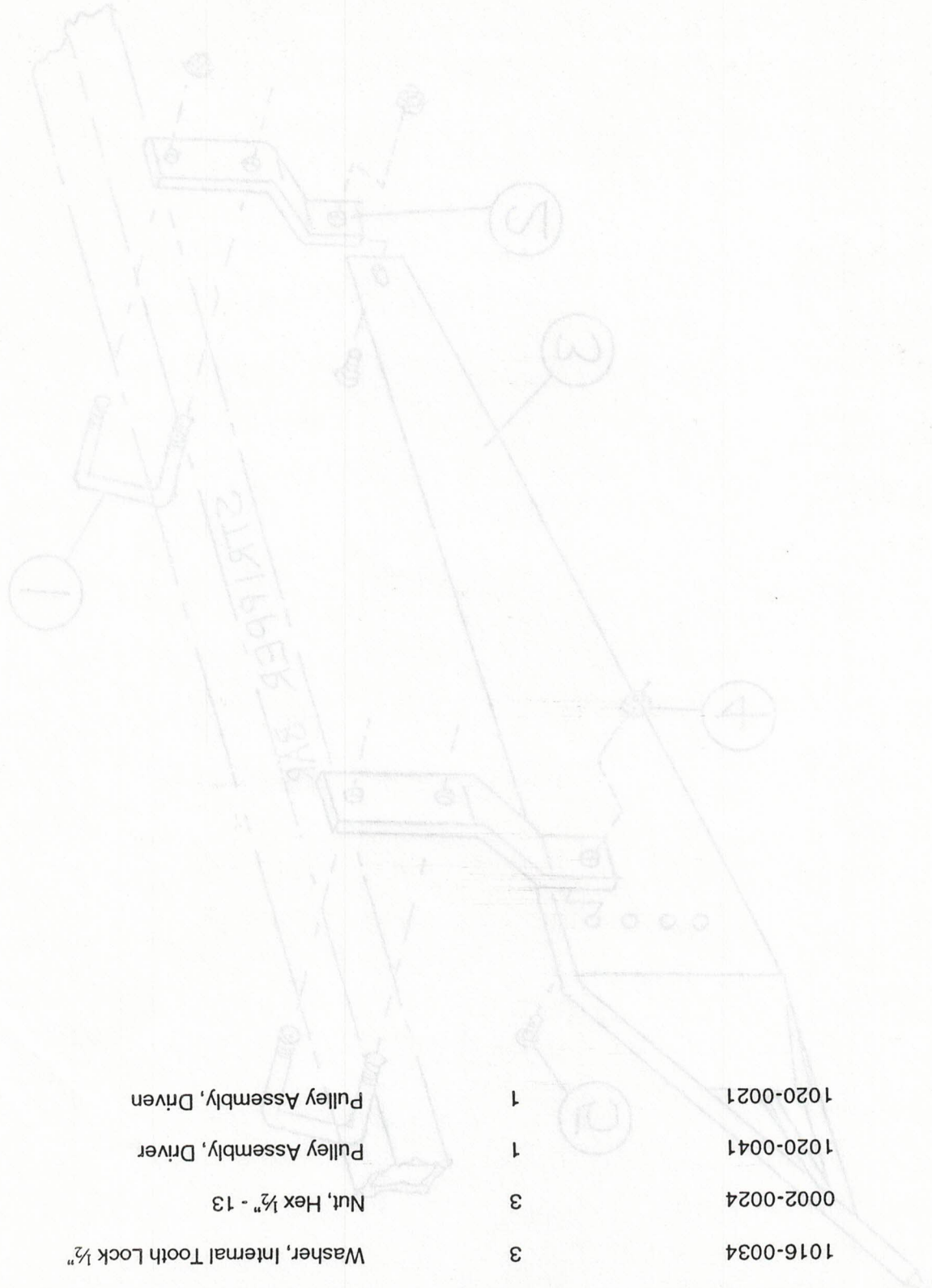


(1978-8198)  
COMBINATION DRIVE SHAFT BOX

FAN VARI-SPEED SHEAVES

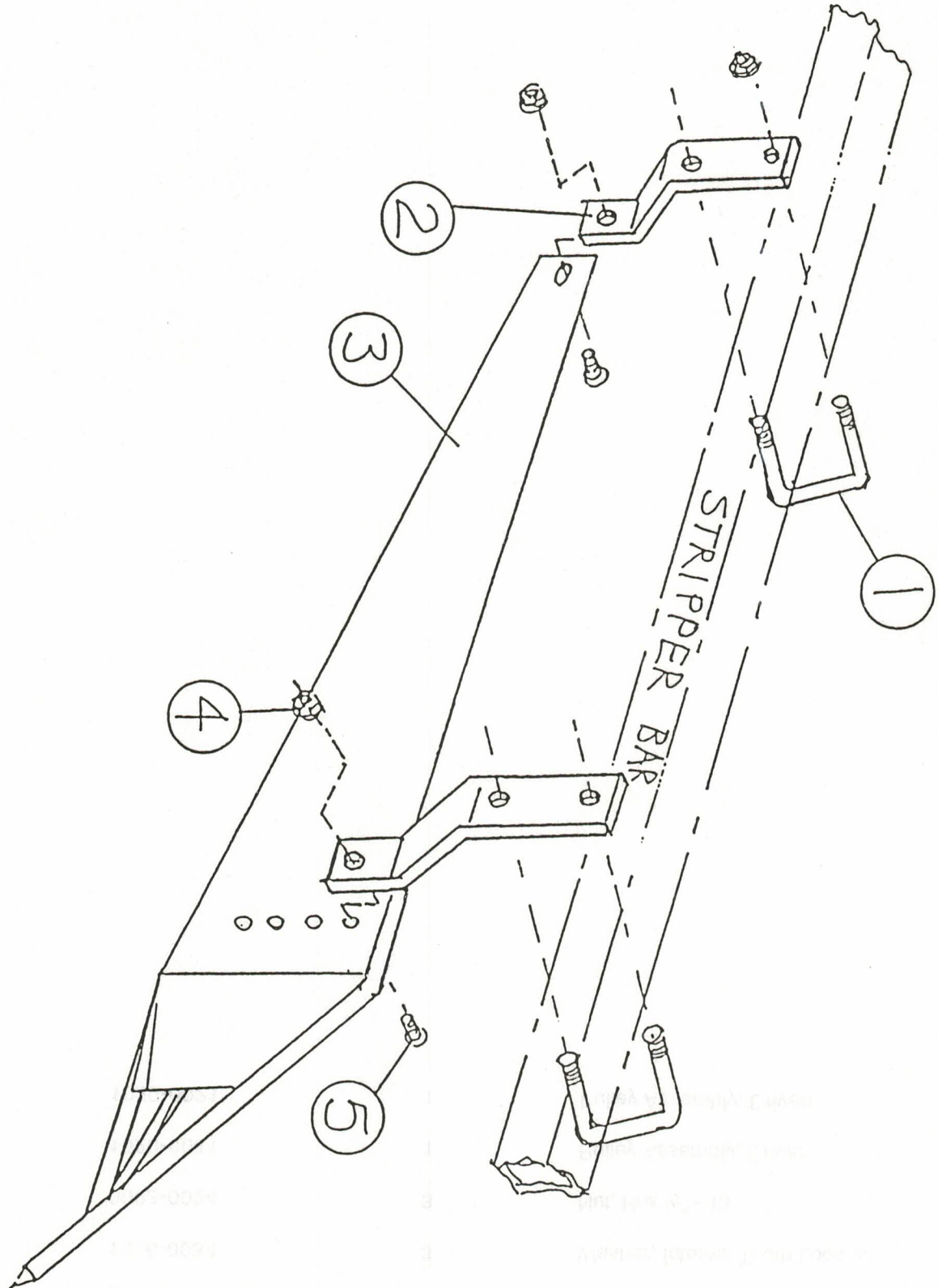
REF	NO.	PART NUMBER	NO. USED	PART DESCRIPTION
1		1022-0005	1	Thrust Stub Shaft
2		1003-0067	1	Spacer
3		1015-0071	1	Bearing
4		1016-0003	1	Retaining Ring
5		1016-0026	1	Retaining Ring
6		1020-0063	1	Driver Sheave Matched Set
7		0003-0022	1	Set Screw, Socket Head $\frac{3}{8}$ - 16 x $\frac{1}{4}$ " Nylon
8		0003-0010	1	Set Screw, Socket Head $\frac{3}{8}$ - 16 x $\frac{3}{8}$ " Nylon
9		1015-0027	1	Grease Fitting
10		1016-0033	1	Retaining Ring
11		1014-0229	1	Idle Collar with Bushing
12		1006-0092	2	Key
13		0002-0354	4	Bolt, Socket Head #10 - NC x $\frac{1}{2}$ "
14		0002-0353	4	Washer, Internal Tooth Lock 1210-6
15		1019-0329	1	Seal
16		1015-0126	1	Grease Fitting, $1\frac{1}{8}$ " Long
17		0002-0352	1	Set Screw, Socket Head 10-24 x $\frac{3}{8}$ " Nylon
18		0002-0241	3	Nut, Nylock $\frac{3}{8}$ " - 16
19		1016-0002	1	Spring Tension Plate
20		1025-0001	1	Spring
21		1015-0127	2	Bushing, Oilite
22		1015-0128	3	Bushing, Oilite
23		1020-0066	1	Driven Sheave Matched Set
24		1012-0019	3	Drive Stud

NO	DATE	DESCRIPTION	AMOUNT
1	1900-01-01	...	...
2	1900-01-01	...	...
3	1900-01-01	...	...
4	1900-01-01	...	...
5	1900-01-01	...	...
6	1900-01-01	...	...
7	1900-01-01	...	...
8	1900-01-01	...	...
9	1900-01-01	...	...
10	1900-01-01	...	...
11	1900-01-01	...	...
12	1900-01-01	...	...
13	1900-01-01	...	...
14	1900-01-01	...	...
15	1900-01-01	...	...
16	1900-01-01	...	...
17	1900-01-01	...	...
18	1900-01-01	...	...
19	1900-01-01	...	...
20	1900-01-01	...	...
21	1900-01-01	...	...
22	1900-01-01	...	...
23	1900-01-01	...	...
24	1900-01-01	...	...
25	1900-01-01	...	...
26	1900-01-01	...	...
27	1900-01-01	...	...
28	1900-01-01	...	...
29	1900-01-01	...	...
30	1900-01-01	...	...



Fan Vari-Speed Sheaves (Continued)

REF NO.	PART NUMBER	NO. USED	PART DESCRIPTION
28	1020-0021	1	Pulley Assembly, Driven
27	1020-0041	1	Pulley Assembly, Driver
26	0002-0024	3	Nut, Hex 1/2" - 13
25	1016-0034	3	Washer, Internal Tooth Lock 1/2"



OUTSIDE ROW DIVIDER KIT  
(4500-0027)

REF NO.	PART NUMBER	NO. USED	PART DESCRIPTION
1	1004-0019	2	U-Bolt
2	1009-0475	2	Flat Bracket
3	3012-0017	1	Adjustable Row Divider
4	0002-0250	6	Nut, Small Ser Fig 1/2" - 13
5	0002-0355	2	Bolt, Hex Button Head 1/2" - 13 x 1 1/4"
6	0002-0263	1	Washer, Flat 1/2"

