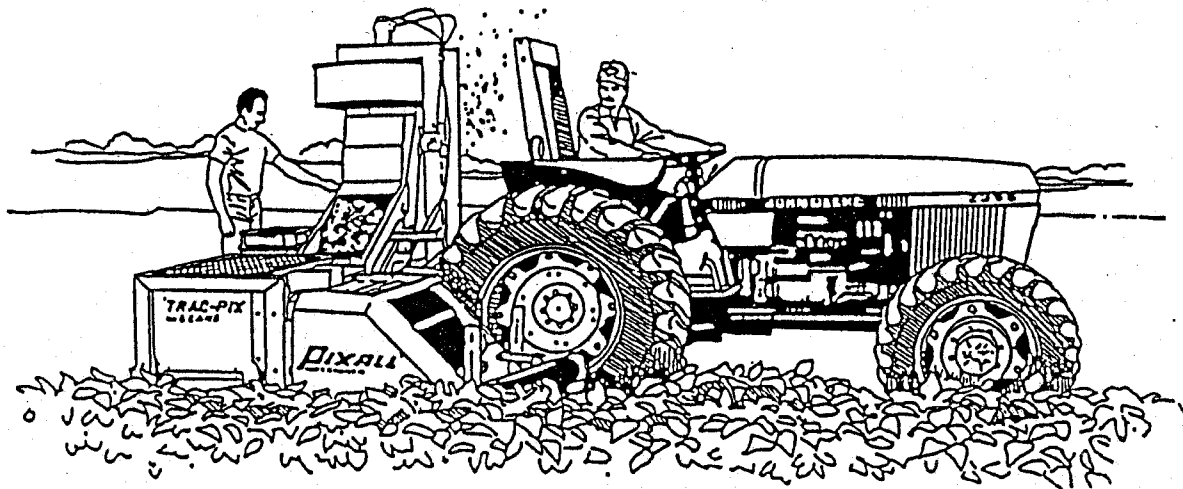




REPAIR PARTS LIST



TRAC-PIX™

FOR BEANS

EFFECTIVE: 1993

Manufactured By:

PIXALL
100 Bean Street
Clear Lake, Wisconsin 54005

Phone: (715) 263-2112
Fax: (715) 263-2102

PIXALL TRAC-PIX FOR BEANS

Repair Parts List

TABLE OF CONTENTS

BIN BOX GROUP	40
BRUSH ARM DETAIL	18
BRUSH GROUP	14
CROSS CONVEYOR	6
ELEVATOR GROUP	32
ELEVATOR MOUNT GROUP, OPTIONAL	36
FAN GROUP	20
FLOW DIVIDER DETAIL	30
FRAME ASSEMBLY	2
HEADER ASSEMBLY	10
HYDRAULIC DRIVE	24
HYDRAULIC TANK DETAIL	28
PALLET FRAME	38
SAFETY	i-iv
WARRANTY	W1

SAFETY-ALERT SYMBOL FOR AGRICULTURAL EQUIPMENT

Proposed by the Engineering Policy Committee of Farm and Industrial Equipment Institute; approved by ASAE Power and Machinery Division Standards Committee; adopted by ASAE February 1972; reconfirmed and reclassified as a Standard, March 1977; reconfirmed December 1981; approved by ANSI as an American National Standard December 1982; reconfirmed December 1986.

SECTION 1-PURPOSE

1.1 The purpose of this Standard is to establish a Safety-Alert Symbol for use on agricultural equipment, and to provide a symbol which means **ATTENTION! BECOME ALERT! YOUR SAFETY IS INVOLVED!**

SECTION 2-SCOPE

2.1 This Standard presents the general uses, limitations on use, and appearance of the Safety-Alert Symbol.

SECTION 3-DESCRIPTION

3.1 The Safety-Alert Symbol shall be an equilateral triangle with rounded corners and with an exclamation mark located in the center as shown in Figure 1. The dimensions are optional.

3.2 The Safety-Alert Symbol should be of contrasting colors which will cause the exclamation mark to stand out.

SECTION 4-APPLICATION

4.1 The symbol should be used:

- 4.1.1** In conjunction with warning statements and signs.
- 4.1.2** In instruction manuals.
- 4.1.3** In connection with agricultural equipment safety standards.
- 4.1.4** On communications which concern agricultural equipment safety.

4.2 The symbol should not be used:

- 4.2.1** To indicate safety compliance or a safety characteristic.
- 4.2.2** Alone on equipment for safety purposes.

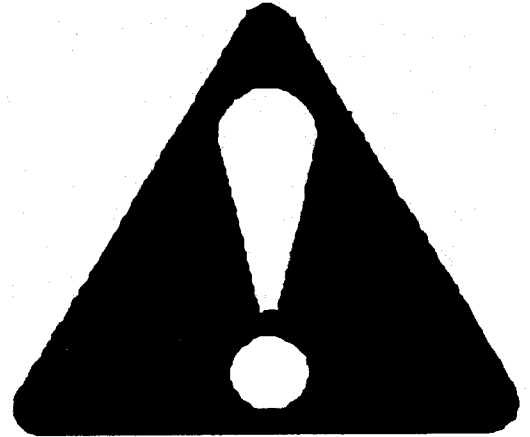


FIGURE 1. SAFETY-ALERT SYMBOL



Included throughout this manual and on machine decals you will see this Safety-Alert Symbol followed by precautionary statements such as **DANGER!**, **WARNING!**, and **CAUTION!**

After these statements will be specific instructions that must be followed both for your personal safety as well as for the safety of those working with you. **PLEASE READ THEM CAREFULLY.**

SAFETY DEFINITIONS



DANGER: The word **DANGER** denotes an **EXTREME INTRINSIC HAZARD** exists which would result in a high probability of **DEATH** or **IRREPARABLE INJURY** if proper procedures are not taken.



WARNING: The word **WARNING** denotes a **HAZARD** exists which can result in **INJURY** or **DEATH** if proper precautions are not taken.



CAUTION: The word **CAUTION** denotes a reminder of **SAFETY** practices, or directs attention to **UNSAFE** practices which could result in **PERSONAL INJURY** if proper precautions are not taken.

IMPORTANT: The word **IMPORTANT** is used to inform of the possibility of harvester damage if a certain procedure is not followed.

On the following pages you will find a listing of all decals on the harvester.

All safety and harvester operation decal locations are shown in this section.

It is very important that these decals remain intact and visible at all times. All decals must be replaced if they become illegible or missing.

Any new equipment components installed during repair must include current safety signs as specified by the manufacturer to be affixed to the replacement component.

New safety decals can be requested through:

PIXALL CORPORATION
100 Bean Street, P.O. Box 17
Clear Lake, WI 54005

Phone: 715/263-2112
Telex: 9102403159
FAX: 715/263-2102

To affix new safety decals, area must be thoroughly cleaned with a moist towel and allowed to dry. After area has thoroughly dried, remove backing and place decal in appropriate area being sure to keep all air bubbles from behind decal.

If air bubbles do appear, work them to the nearest edge with a squeegee.

Now you can remove the protective covering from the decal.



SAFETY PRECAUTIONS

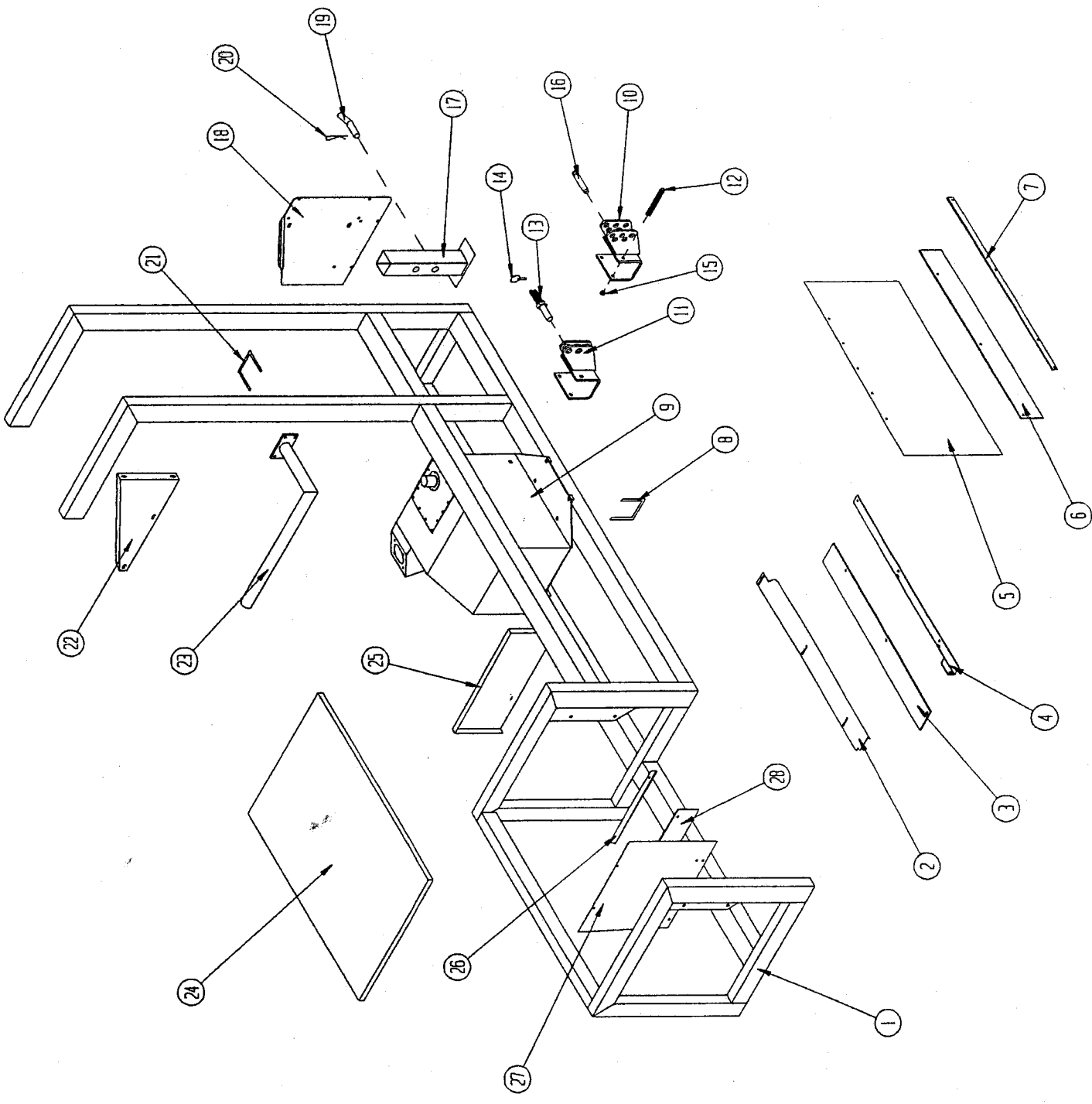


MOST MACHINE ACCIDENTS CAN BE AVOIDED BY THE OBSERVANCE OF A FEW SIMPLE SAFETY PRECAUTIONS.

1. DO NOT ATTEMPT TO LUBRICATE OR MAKE ANY ADJUSTMENTS WHILE IT IS IN MOTION OR TRACTOR IS RUNNING.
2. DO NOT PERMIT ANYONE TO RIDE ON HARVESTER.
3. BE ESPECIALLY CAREFUL WHEN OPERATING ON HILLSIDES AS TRACTOR COULD TIP SIDEWAYS IF IT STRIKES A HOLE, DITCH, OR OTHER IRREGULARITY. KEEP TRACTOR IN GEAR WHEN GOING DOWNHILL.
4. KEEP ALL SHIELDS IN PLACE.
5. DO NOT WORK UNDER 3-POINT HARVESTER WHEN IT IS IN THE RAISED POSITION UNLESS IT IS PROPERLY BLOCKED.
6. BE SURE TRACTOR ENGINE IS OFF AND PARKING BRAKE IS ENGAGED BEFORE LEAVING CONTROL AREA.
7. KEEP CHILDREN AWAY FROM HARVESTER AT ALL TIMES.

SAFETY DECALS

<u>PART NUMBER</u>	<u>NO. USED</u>	<u>PART DESCRIPTION</u>
3000-0160	10	Warning "Shields for Your Protection"
3000-0187	3	Warning "Rotating Drive Line"
3000-0188	3	Warning "Keep Hands from Chain"
3000-0189	5	Warning "Keep Hands from Pulleys"
3000-0186	2	Warning "Rotating Fans"
3000-0192	3	Warning "Fan Discharge Area"
3000-0225	1	Important "Hydraulic Oil"
3000-0222	2	Danger "Shield Missing"

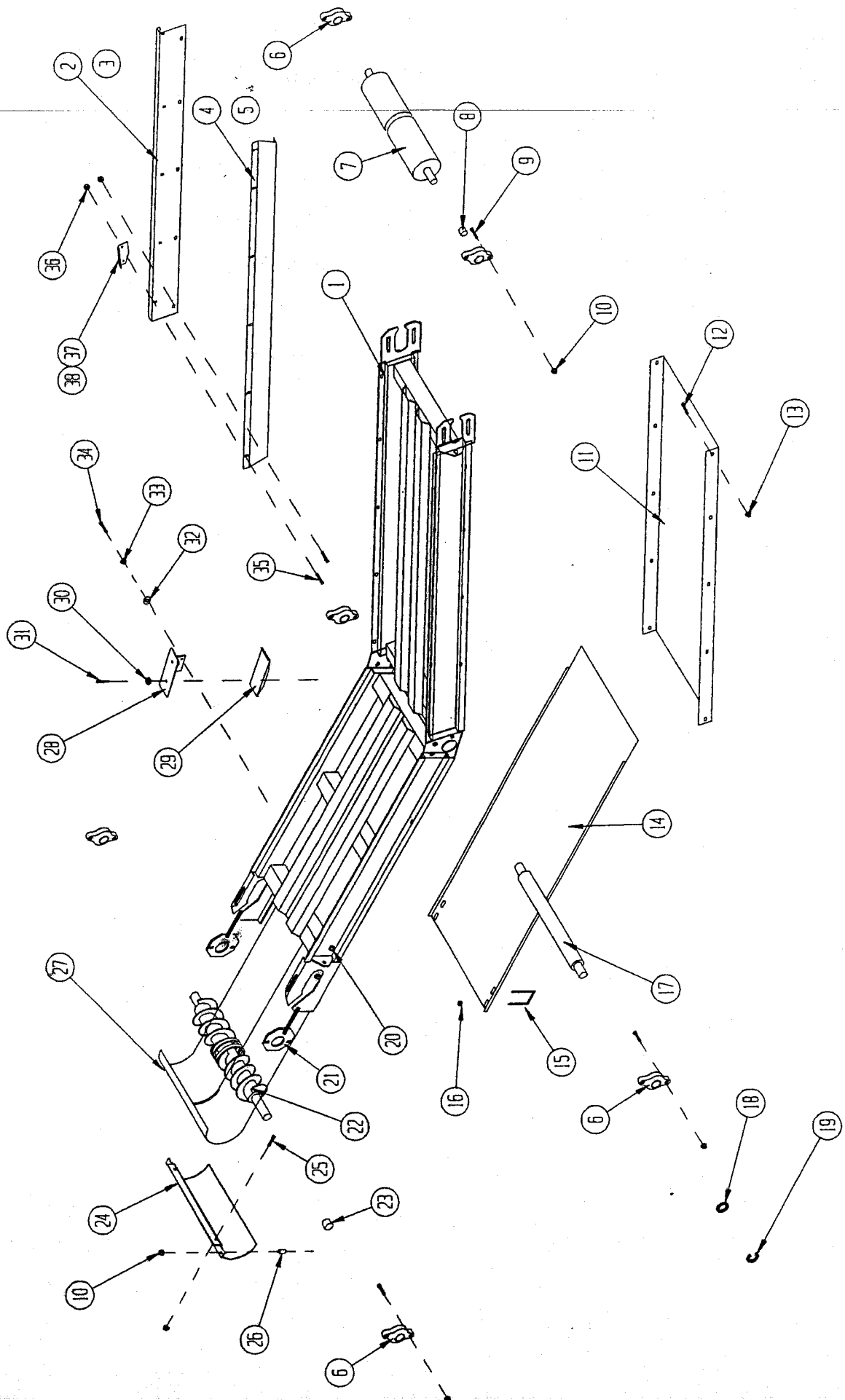


FRAME ASSEMBLY

<u>REF NO.</u>	<u>PART NUMBER</u>	<u>NO. USED</u>	<u>PART DESCRIPTION</u>
1	4003-0072	1	Main Frame
2	4003-0163	1	Bean Slide
3	1021-0205	1	Guide Belt, 41½"
4	4003-0162	1	Mount
5	4003-0160	1	Back Collector
6	1021-0171	1	Guide Belt, 40½"
7	4003-0164	1	Cover Strip
8	4003-0154	2	U-Bolt - Drive Pack
9	4003-1012	1	Hydraulic Tank
10	4003-0215	1	Upper Link
11	4003-0239	2	Lower Link
12	0002-0152	6	Bolt Hex Head ½" -13 x 5½"
13	1022-0198	2	Lower Link Pin
14	1022-0197	3	Lynch Pin
15	0002-0250	10	Nut Flange ½" -13
16	1022-0199	1	Top Link Pin
17	4003-0109	4	Leg
18	4003-0110	1	Leg Plate
19	4003-0202	6	Leg Pin
20	6003-0231	6	Clip, Hairpin
21	4003-0113	2	4½" U-Bolt
22	4003-0190	1	Duct Support
23	4003-0134	1	Elevator Mount Tube
24	4003-1002	1	Cover Screen

Frame Assembly (Continued)

<u>REF NO.</u>	<u>PART NUMBER</u>	<u>NO. USED</u>	<u>PART DESCRIPTION</u>
25	4003-0204	1	Finger Shield
26	4003-0173	1	Cover Strip
27	4003-0161	1	Side Collector Plate
28	1021-0172	1	Boot Belt

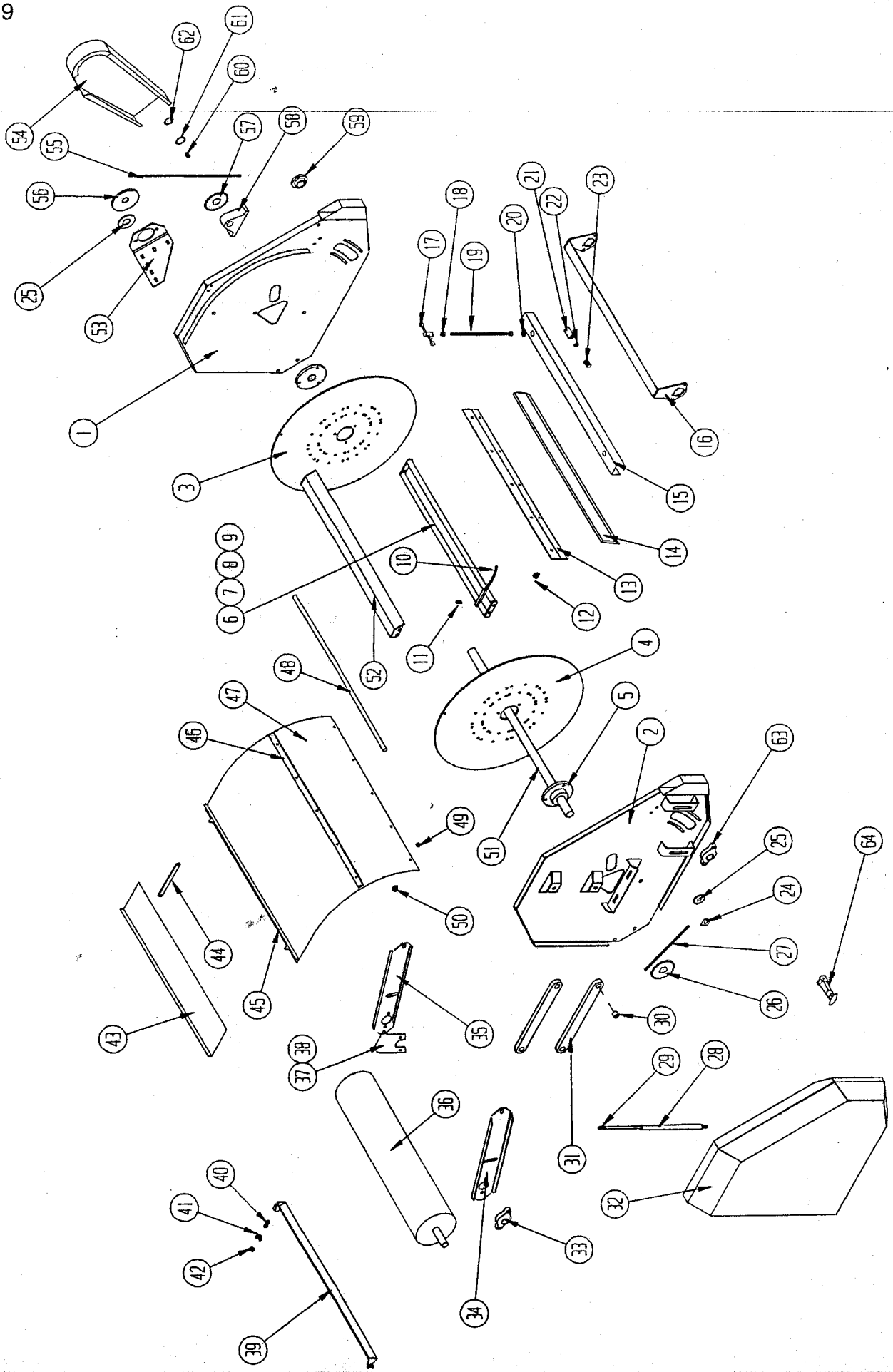


CROSS CONVEYOR

<u>REF NO.</u>	<u>PART NUMBER</u>	<u>NO. USED</u>	<u>PART DESCRIPTION</u>
1	4003-0115	1	Cross Conveyor Frame
2	4003-0141	1	Elevator Side, R.H.
3	4003-0147	1	Elevator Side, L.H.
4	4003-0142	1	Belt Guide, R.H.
5	4003-0143	1	Belt Guide, L.H.
6	1015-0108	6	Bearing 1" Diameter 2-Bolt
7	9003-0166	1	Idler Roller
8	1003-0066	2	Spacer 1"
9	0002-0101	12	Bolt Carriage $\frac{3}{8}$ " -16 x $1\frac{1}{2}$ "
10	0002-0248	12	Nut Flange $\frac{3}{8}$ "
11	4003-0139	1	Return Pan
12	0002-0341	10	Bolt Slotted Round Head $\frac{5}{16}$ " -18 x $\frac{3}{4}$ "
13	0002-0247	10	Nut Flange $\frac{5}{16}$ "
14	4003-0256	1	Return Pan Lower
15	4003-1014	2	U-Bolt
16	0002-0247	4	Nut, Serrated Flange $\frac{5}{16}$ " -18
17	4003-0140	1	Return Idler
18	0002-0256	AR	Machine Washer
19	1016-0012	2	Retaining Ring 1"
20	0002-0066	8	Nut, $\frac{1}{2}$ " - 13
21	4003-0006	4	Adjustment Plate
22	4003-0223	1	Auger Roller Drive
23	6004-0391	2	Spacer, 1" I.D. x $\frac{7}{8}$ " Long
24	4003-0144	1	Elevator Boot

Cross Conveyor (Continued)

<u>REF NO.</u>	<u>PART NUMBER</u>	<u>NO. USED</u>	<u>PART DESCRIPTION</u>
25	0002-0084	2	Bolt, Carriage $\frac{5}{16}$ - 18 x $1\frac{1}{4}$ "
26	7003-0621	2	Spacer
27	1021-0175	1	Belt Cross Conveyor
28	4003-0138	2	Shoe Plate
29	1027-0001	2	Plastic Wear Shoe
30	0002-0038	4	Washer Split $\frac{5}{16}$ "
31	0002-0351	4	Bolt Nylon $\frac{5}{16}$ " x $\frac{3}{4}$ "
32	0002-0263	4	Washer Flat $\frac{1}{2}$ "
33	0002-0336	4	Washer Split Lock $\frac{1}{2}$ "
34	0002-0371	4	Bolt Hex $\frac{1}{2}$ " -13 x $1\frac{1}{4}$ "
35	0002-0083	10	Carriage Bolt $\frac{5}{16}$ " x $\frac{3}{4}$ "
36	0002-0247	10	Nut Flange $\frac{5}{16}$ "
37	4003-1037	1	Wear Shoe Shield R.H.
38	4003-1040	1	Wear Shoe Shield L.H.



HEADER ASSEMBLY

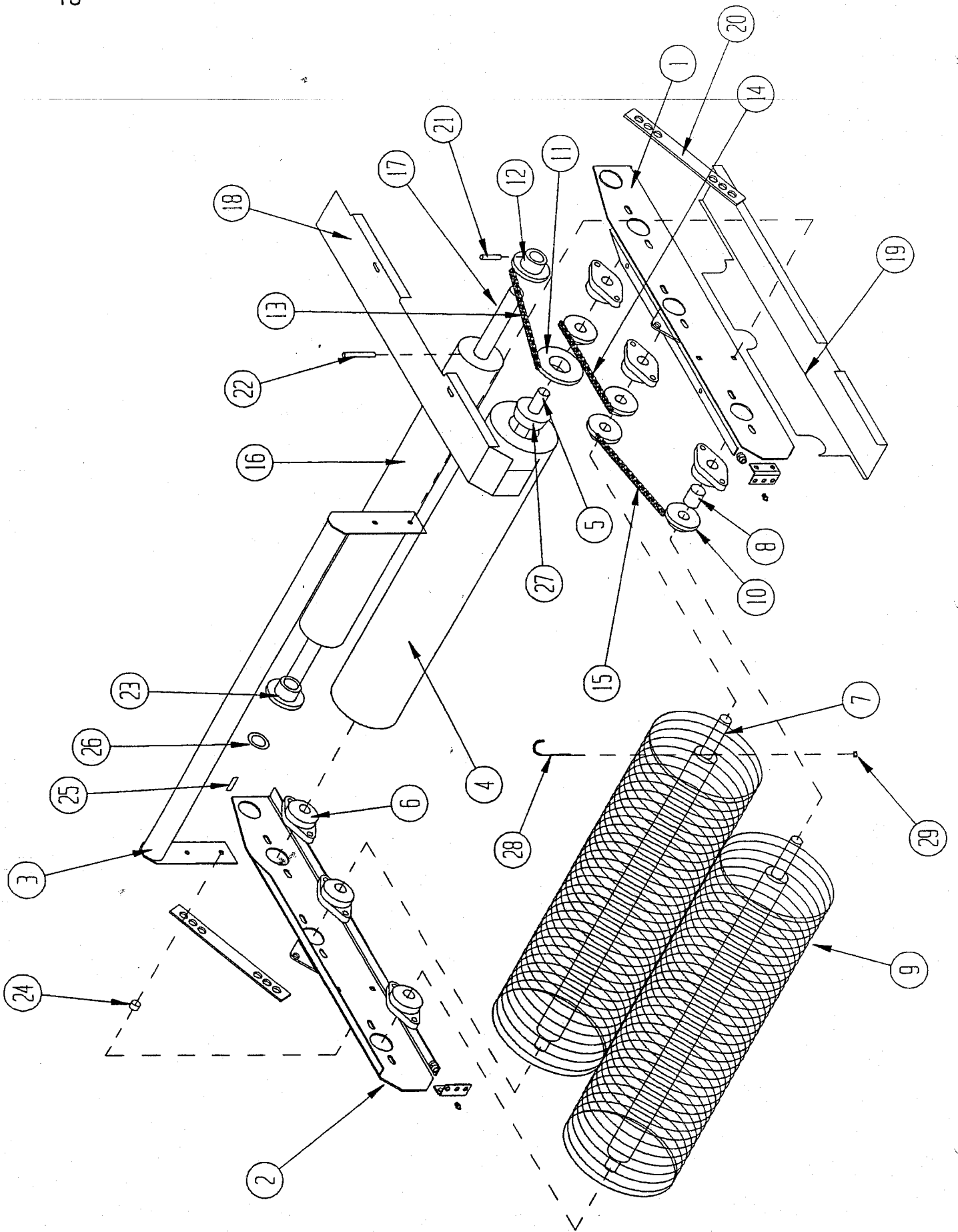
<u>REF NO.</u>	<u>PART NUMBER</u>	<u>NO. USED</u>	<u>PART DESCRIPTION</u>
1	4003-0013	1	Side Plate L.H.
2	4003-0012	1	Side Plate R.H.
3	4003-0019	1	Reel Plate L.H.
4	4003-0020	1	Reel Plate R.H.
5	4003-0356	2	Hub, Reel Plate
6	4003-0044	4	Finger Bar #1 (1st Finger $2\frac{7}{8}$ " from left edge)
7	4003-0045	4	Finger Bar #2 (1st Finger $2\frac{7}{8}$ " from left edge)
8	4003-0046	4	Finger Bar #3 (1st Finger $1\frac{3}{8}$ " from left edge)
9	4003-0047	4	Finger Bar #4 (1st Finger $\frac{5}{8}$ " from left edge)
10	4003-0241	192	Finger Plastic
11	0002-0666	192	Screw 10 - 32 x $\frac{5}{8}$ "
12	0002-0473	5	Plow Bolt
13	4003-0067	1	Connecting Strip
14	4003-1068	1	Scraper Blade
15	4003-0026	1	Adj. Channel
16	4003-0023	1	Concave Adj. Bracket
17	4003-0220	1	Handle
18	0002-0024	2	Nut Hex $\frac{1}{2}$ - 13
19	1012-0084	2	Rod Threaded $\frac{1}{2}$ - 13 x 12"
20	0002-0263	4	Washer Flat $\frac{1}{2}$
21	4003-0025	2	Bronze Bearing
22	0002-0336	4	Washer Split Lock $\frac{1}{2}$ "
23	0002-0137	4	Bolt Hx Head $\frac{1}{2}$ - 13 x $\frac{3}{4}$
24	6001-0057	2	Washer SQ

Header Assembly (Continued)

<u>REF NO.</u>	<u>PART NUMBER</u>	<u>NO. USED</u>	<u>PART DESCRIPTION</u>
25	4003-0273	3	Idler Sprocket
26	1019-0487	1	Sprocket 20 Tooth RC60 1½ Bore
27	1019-0132	1	Chain RC60 x 78 Pitch
	1021-0041	1	Connection Link
28	4003-0238	2	Gas Spring
29	6008-0160	4	Ball Stud
	6008-0159	4	Retaining Clips
30	4003-0221	8	Linkage Bushing Bronze
31	4003-0104	4	Linkage Arm
32	4003-0194	1	Shield, R.H.
33	1015-0138	2	Bearing 2 Bolt Flange
34	4003-0054	1	Roller Channel, R.H.
35	4003-0055	1	Roller Channel, L.H.
36	4003-0060	1	Ground Roller
37	4003-1077	1	Stop L.H.
38	4003-1078	1	Stop R.H.
39	4003-0057	1	Scraper Angle
40	6001-0052	2	Spring
41	0002-0263	2	Washer Flat ½"
42	0002-0227	2	Nut flex Lock ½"
43	4003-0166	1	Deflector
44	4003-0165	2	Adj. Flat
45	4003-0170	1	Support Adjustment
46	4003-0069	1	Concave Support
47	4003-0070	1	UHMW Concave

Header Assembly (Continued)

<u>REF NO.</u>	<u>PART NUMBER</u>	<u>NO. USED</u>	<u>PART DESCRIPTION</u>
48	4003-0033	1	Brace Tube
49	0002-0468	15	Nut Oval Lock $\frac{5}{16}$ "
50	0002-0469	15	Bolt Flathead 100' $\frac{5}{16}$ -18 x $\frac{3}{4}$ "
51	4003-1022	1	Reel Shaft
52	4003-0030	1	Hat Channel
53	4003-1035	1	Hydraulic Motor Mount
54	4003-1024	1	Shield, L.H.
55	1019-0511	1	Chain RC60 x 70 Pitch
56	1019-0341	1	Sprocket RC60B 20T $1\frac{1}{4}$ " Bore
57	1019-0517	1	Sprocket RC60B 18T $1\frac{1}{2}$ " Bore
58	1015-0139	2	Bearing Pillow Block $1\frac{1}{2}$ " Bore
59	4003-0022	2	Bushing Bronze
60	1006-0107	2	Key
61	0002-0443	AR	Spacers
62	1016-0015	2	Lock Ring $1\frac{1}{2}$ "
63	1015-0219	2	Bearing 2 Bolt Flange $1\frac{1}{4}$ " Bore
64	4003-0242	1	Hood Fastener

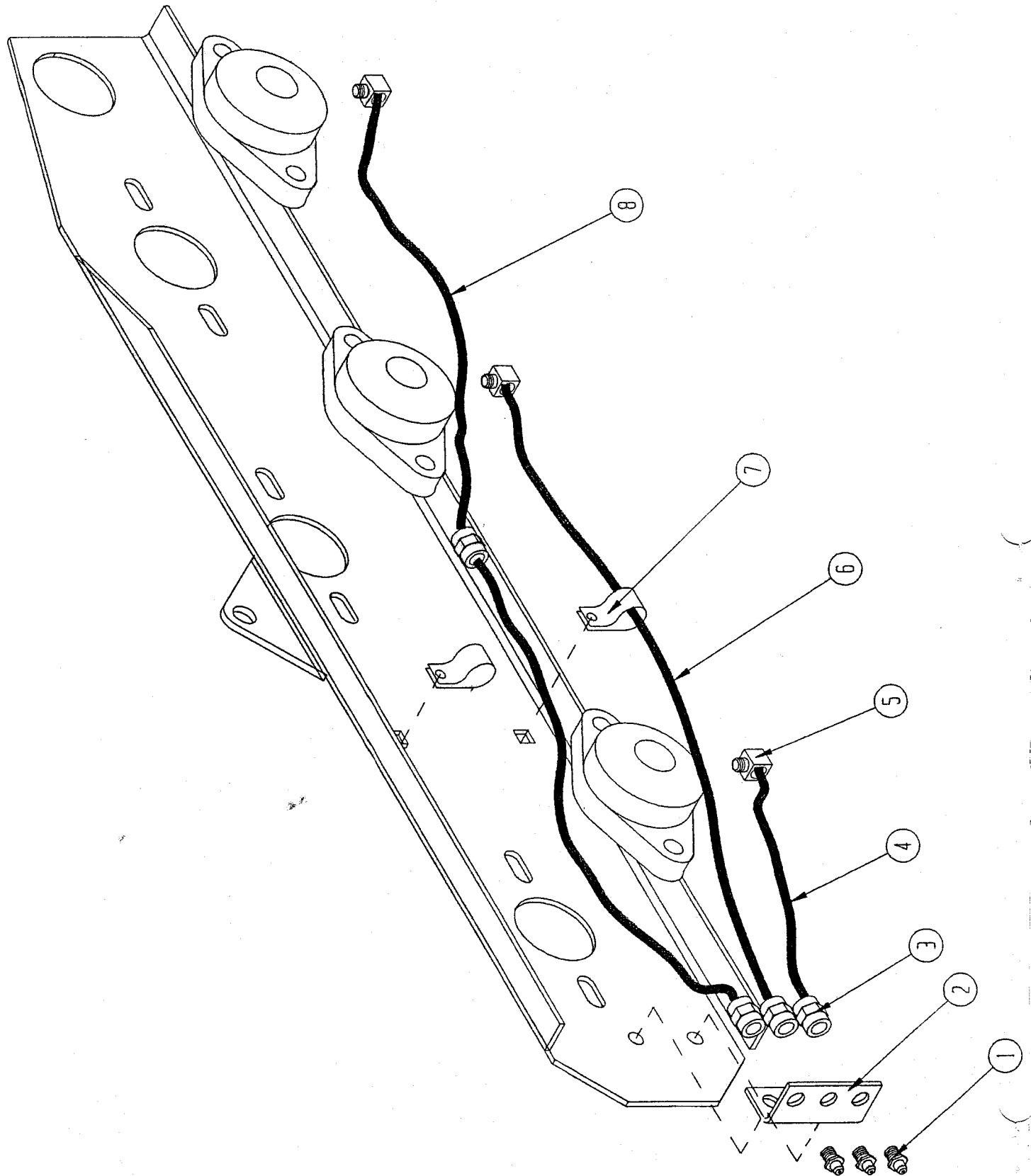


BRUSH GROUP

<u>REF NO.</u>	<u>PART NUMBER</u>	<u>NO. USED</u>	<u>PART DESCRIPTION</u>
1	4003-1075	1	Arm L.H.
2	4003-1076	1	Arm R.H.
3	4003-1050	1	Brace
4	4003-1064	1	Live Roller
5	4003-1055	1	Shaft, Live Roller
6	1015-0108	6	Bearing, 2 Bolt Flange 1" Bore
7	4003-1061	2	Shaft, Brush
8	4003-1042	1	Spacer
9	4003-1063	2	Rotary Brush
10	1019-0088	4	Sprocket RC50B 13 Tooth 1" Bore
11	1019-0062	1	Sprocket RC50B 18 Tooth 1" Bore
12	1019-0518	1	Sprocket RC50B 17 Tooth 1¼" Bore
13	1019-0519	1	Chain RC50 x 34 Pitch
14	1019-0520	1	Chain RC50 x 42 Pitch
15	1019-0521	1	Chain RC50 x 52 Pitch
16	4003-1067	1	Concave Roller
17	4003-0233	1	Shaft, Concave Roller 1¼"
18	4003-1072	1	TopShield, Chain Drive
19	4003-1071	1	Bottom Shield, Chain Drive
20	4003-0065	2	Hanger
21	0002-0016	1	Roll Pin, 5/16 x 1½"
22	0002-0295	1	Roll Pin, 5/16 x 2½"
23	1019-0341	1	Sprocket, 20 Tooth
24	4003-0064	4	Bushing Bronze

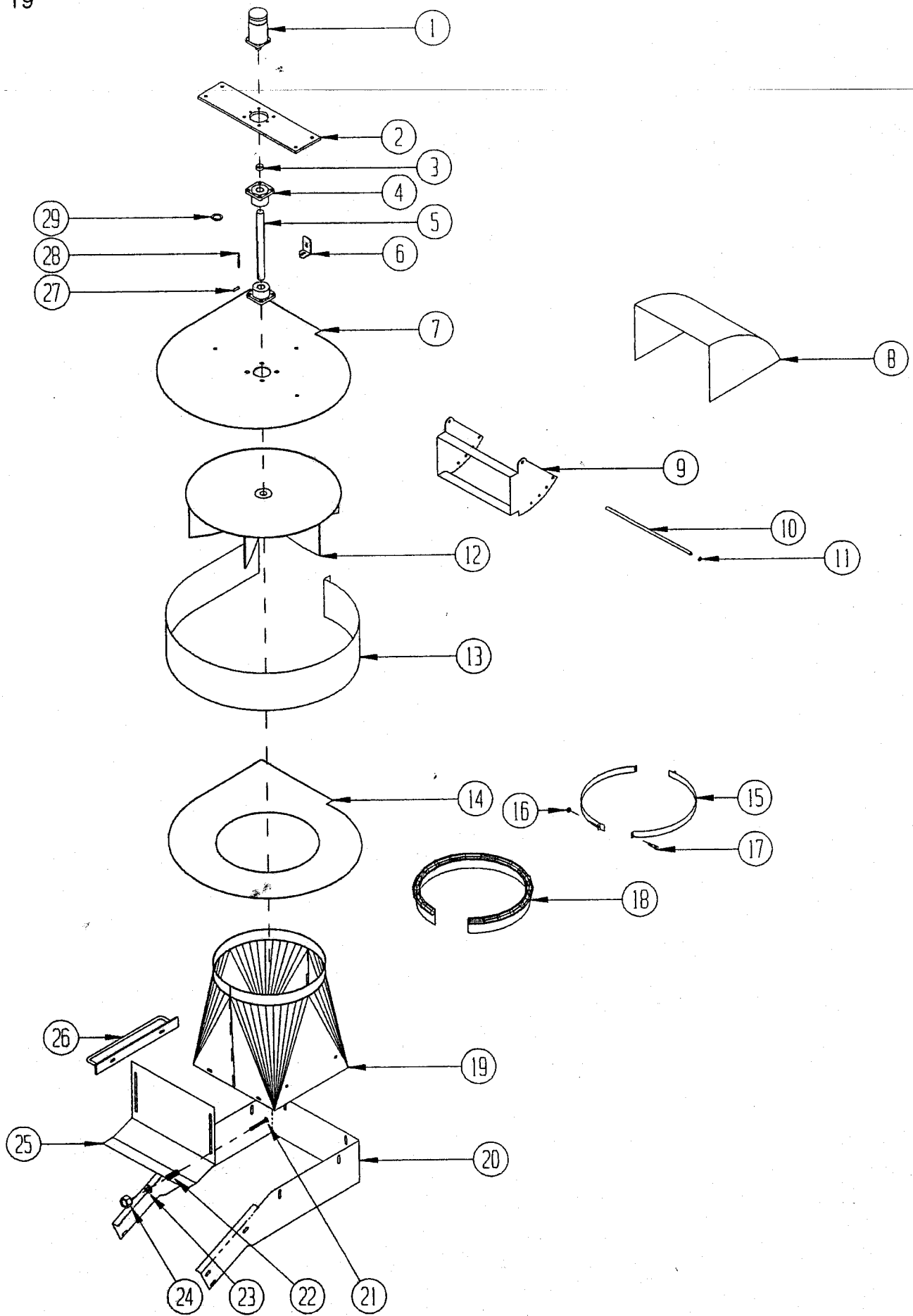
Brush Group (Continued)

<u>REF NO.</u>	<u>PART NUMBER</u>	<u>NO. USED</u>	<u>PART DESCRIPTION</u>
25	1006-0170	1	Key $\frac{1}{4} \times \frac{1}{4} \times 1$
26	1016-0013	2	Retaining Ring $1\frac{1}{4}$ "
27	0001-0164	2	Tapor Loc $\frac{5}{16} \times 1$
28	1006-0135	8	Bolt Hook
29	0002-0245	8	Nut Nylock 10 - 32



BRUSH ARM DETAIL

<u>REF NO.</u>	<u>PART NUMBER</u>	<u>NO. USED</u>	<u>PART DESCRIPTION</u>
1	1015-0027	6	Grease Zirk
2	4003-1028	2	Grease Bank
3	1013-0351	8	Fitting Hex Coupling
4	1013-0350	2	Grease Line 12"
5	6005-0096	6	Hydraulic Fitting Alemite #51943
6	1013-0392	2	Grease Line 24"
7	1040-0260	4	Clamp
8	1013-0391	4	Grease Line 18"

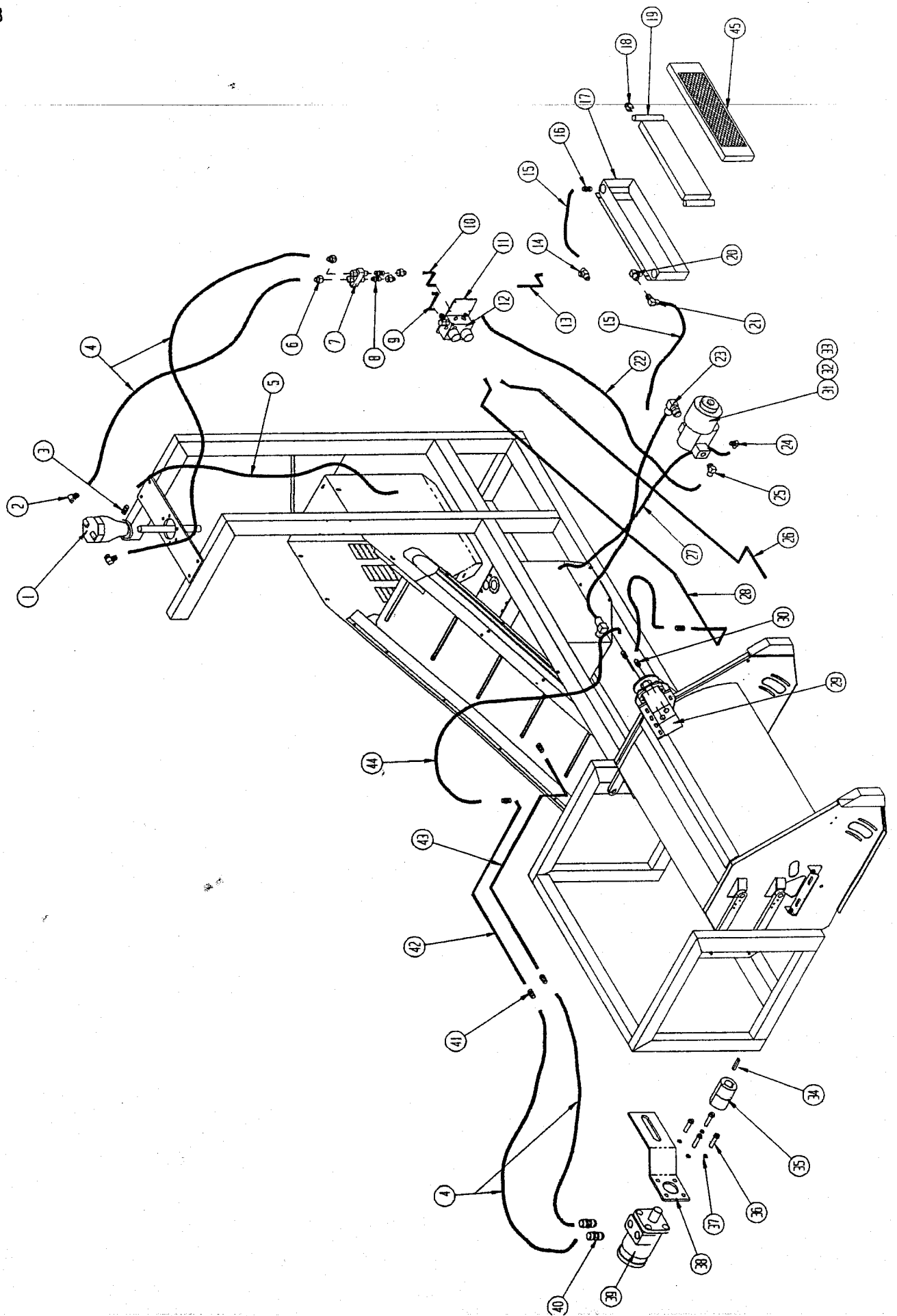


FAN GROUP

<u>REF NO.</u>	<u>PART NUMBER</u>	<u>NO. USED</u>	<u>PART DESCRIPTION</u>
1	7005-0410	1	Fan Motor
2	4003-1029	1	Mount Fan Motor
3	6003-0228	1	Spacer 1½" x ½"
4	1015-0218	2	Bearing Flange 4-Bolt 1¼"
5	4003-1043	1	Fan Shaft ¾" x 2¼"
6	1023-0128	4	Mounting Bracket Fan Housing
7	4003-1056 3002-0060	1	Top Plate
8	3002-0067	1	Discharge Hood
9	1001-0078	1	Discharge Bracket
10	1006-0118	1	Rod
11	1016-0010	2	Retaining Ring ½"
12	3002-0066	1	Fan Rotor
13	3002-0062	1	Fan Housing
14	3002-0061	1	Bottom Plate
15	1004-0004	2	Duct Clamp
16	0002-0248	2	Nut, Serrated Flange ¾" - 16
17	0002-0114	2	Bolt, Hex ¾" - 16 x 2"
18	1021-0075	1	Rubber
19	4003-0228	1	Duct
20	4003-0267	1	Duct Skirt
21	0002-0057	2	Bolt Carriage ¾" - 16 x 1¾"
22	1025-0004	2	Spring Compression
23	0002-0002	2	Washer Flat ¾"
24	0002-0470	2	Nut, Oval Lock ¾" - 16

Fan Group (Continued)

<u>REF NO.</u>	<u>PART NUMBER</u>	<u>NO. USED</u>	<u>PART DESCRIPTION</u>
25	3002-0072	1	Air Gate
26	4003-0196	1	Handle
27	0002-0298	1	Pin Roll
28	1006-0095	1	Key ¼" x ¼" x 3"
29	1016-0013	1	Retaining Ring 1¼"



HYDRAULIC DRIVE

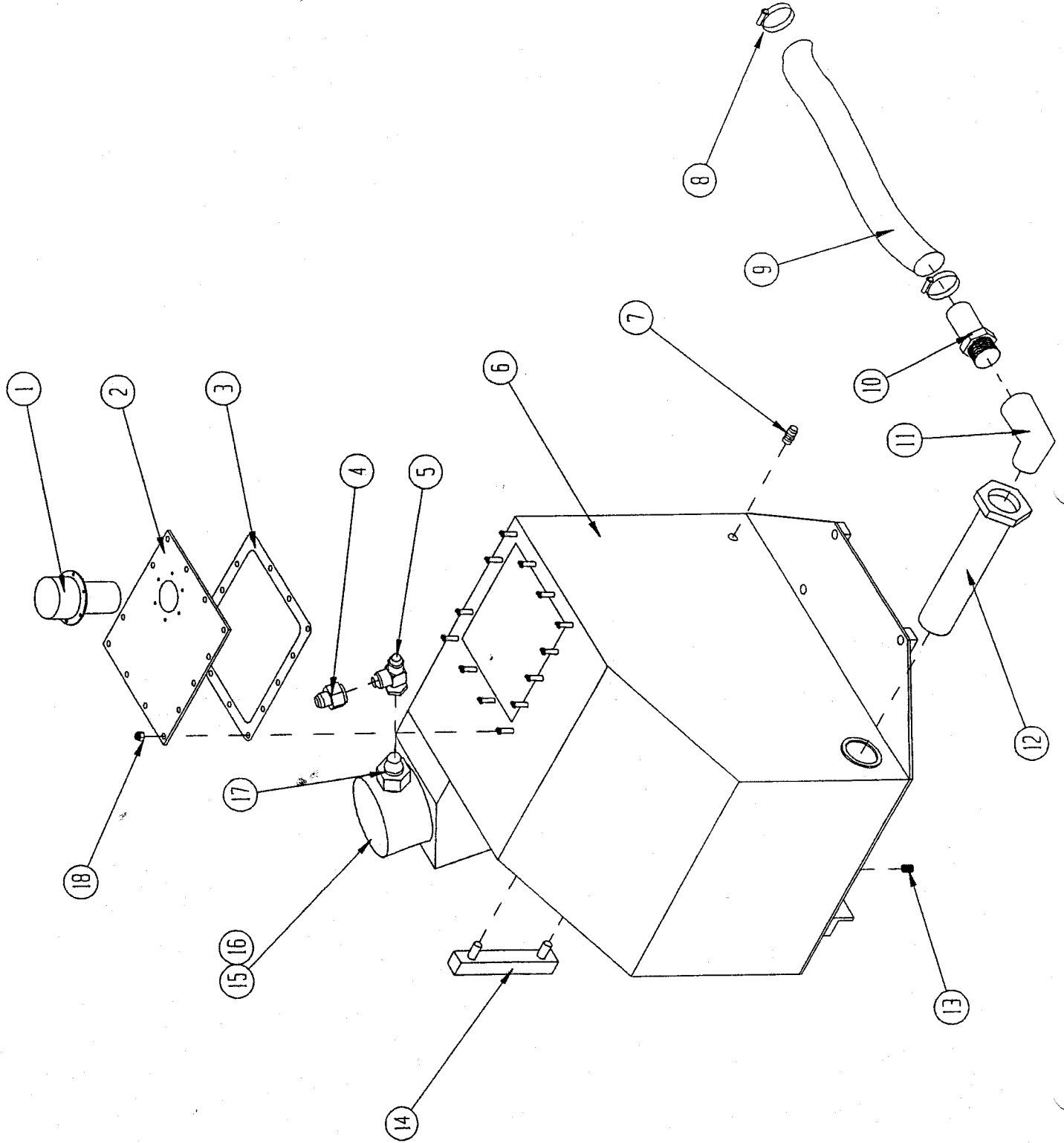
<u>REF NO.</u>	<u>PART NUMBER</u>	<u>NO. USED</u>	<u>PART DESCRIPTION</u>
1	7005-0410	1	Hydraulic Motor Fan
2	6005-0067	2	Hydraulic Fitting, 8JIC Male - 90° Elbow - 12ORB Male
3	6005-0281	1	Hydraulic Fitting, 6JIC Male - Straight - 8ORB Male
4	6005-0202	4	Hydraulic Hose, ½ x 36" - 2500psi
5	7005-0339	1	Hydraulic Hose, ¼ x 96" - 3000psi
6	6005-0197	4	Hydraulic Fitting, 8JIC Male - Straight - 10JIC Female
7	6005-0435	1	Check Valve
8	6005-0419	2	Hydraulic Fitting, 10JIC Male - Straight Union - 10JIC Male
9	6005-1066	1	Hydraulic Line
10	6005-1067	1	Hydraulic Line
11	4003-1036	1	Flow Divider Mounting Bracket
12	6005-1064	1	Flow Divider
13	6005-1020	1	Hydraulic Line
14	6005-0037	1	Hydraulic Fitting, 8JIC Male - 8JIC Male - Tee - 8JIC Male
15	6005-0205	2	Hydraulic Hose, ½ x 30" - 2500psi
16	6005-0053	2	Hydraulic Fitting, 8JIC Male - Straight - 12ORB Male
17	4003-1018	1	Oil Cooler Shroud
18	4003-1013	4	Clamp
19	6005-1005	1	Oil Cooler
20	6005-0067	1	Hydraulic Fitting, 8JIC Male - 90° Elbow - 12ORB Male

Hydraulic Drive (Continued)

<u>REF NO.</u>	<u>PART NUMBER</u>	<u>NO. USED</u>	<u>PART DESCRIPTION</u>
21	6005-0455	1	Hydraulic Fitting, 8JIC Female - 90° Elbow - 8JIC Male
22	6005-0244	1	Hydraulic Hose, ¾ x 72" - 4000psi
23	6005-1004	1	Hydraulic Fitting, 12ORB Male - 90° Elbow - 1½" Hose Barb
24	6005-0099	1	Hydraulic Fitting, 4JIC Male - 90° Elbow - 6ORB Male
25	6005-0063	1	Hydraulic Fitting, 12JIC Male - 90° Elbow - 12ORB Male
26	6005-0999	1	Hydraulic Line
27	6005-0247	1	Hydraulic Hose, ¼ x 60" - 3000psi
28	6005-0998	1	Hydraulic Line
29	6005-1014	1	Hydraulic Motor, Header
30	6005-0052	2	Hydraulic Fitting, 8JIC Male - Straight - 10ORB Male
31	6005-1124	1	Hydraulic Pump, 3.12 C.I.
32	6005-1011	1	Gear Box
33	6005-1012	1	Mounting Kit
34	1006-0093	1	Key ¼" x ¼" x 1½"
35	6004-0220	1	Coupling Keyway
36	0002-0337	4	Bolt Hx Head ¾"-16 x 1
37	0002-0261	4	Washer Split Lock ¾"
38	9001-0041	1	Torque Arm
39	8001-0173	1	Hydraulic Motor, Conveyor
40	6005-0052	2	Hydraulic Fitting, 8JIC Male - Straight - 10ORB Male
41	6005-0777	5	Hydraulic Fitting, 8JIC Male - Straight - 8JIC Male

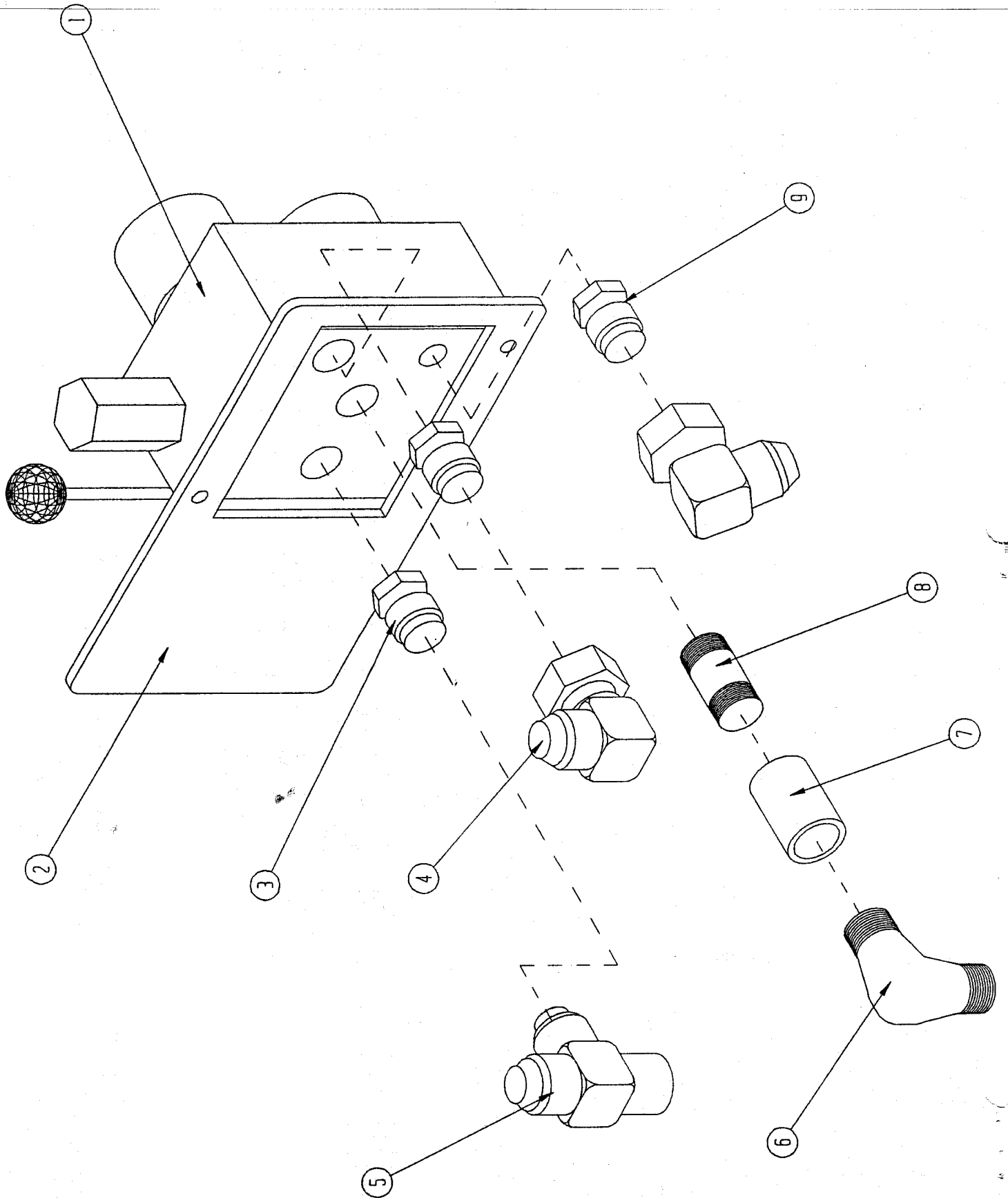
Hydraulic Drive (Continued)

<u>REF NO.</u>	<u>PART NUMBER</u>	<u>NO. USED</u>	<u>PART DESCRIPTION</u>
42	6005-1019	1	Hydraulic Line
43	6005-1018	1	Hydraulic Line
44	7005-0373	2	Hydraulic Hose, 1/2 x 36" - 2500psi
45	4003-1089	1	Shield, Oil Cooler



HYDRAULIC TANK DETAIL

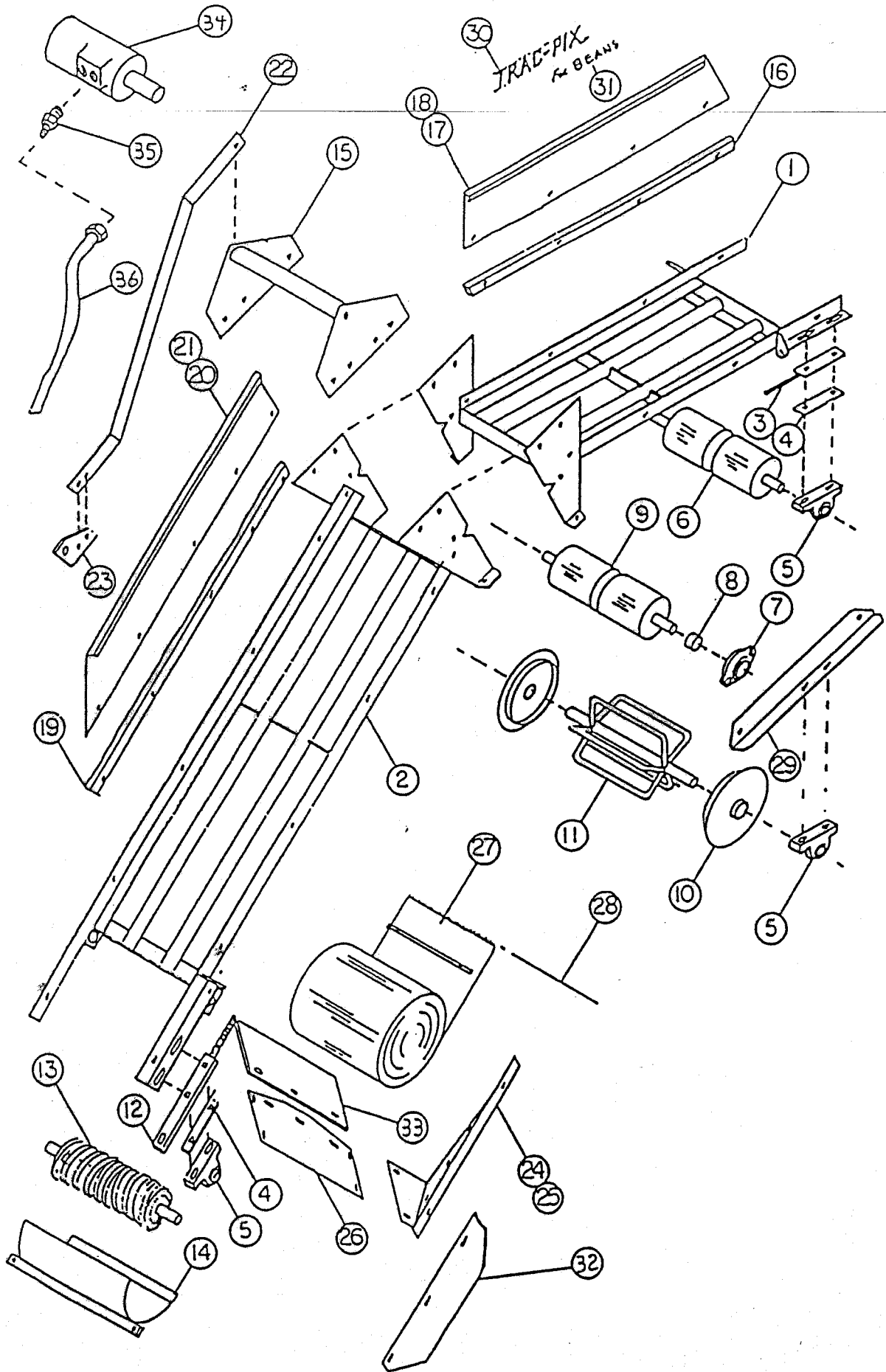
<u>REF NO.</u>	<u>PART NUMBER</u>	<u>NO. USED</u>	<u>PART DESCRIPTION</u>
1	6005-1006	1	Filler Cap
2	4003-1011	1	Cover Plate
3	4003-1031	1	Gasket
4	6005-0028	1	Hydraulic Fitting, 8JIC Female - Straight - 6JIC Male
5	6005-0061	1	Hydraulic Fitting, 8JIC Female - 8JIC Male - Tee - 8JIC Male
6	4003-1012	1	Hydraulic Tank
7	6005-0046	1	Hydraulic Fitting, 4JIC Male - Straight - 4ORB Male
8	1013-0396	2	Hose Clamp
9	6005-1056	1	Suction Line
10	6005-1003	1	Hydraulic Fitting, 20NPT Male - Straight - 1½" Hose Barb
11	1013-0426	1	90° Street Elbow
12	6005-1008	1	Strainer, Suction Line
13	1013-0316	1	Plug ½" NPT
14	6005-1007	1	Sight/Temp Gauge
15	6005-1009	1	Tank Top Filter
16	6005-1016	1	Replacement Filter
17	6005-0647	1	Hydraulic Fitting, 8JIC Male - Straight - 16ORB Male
18	0002-0247	18	Nut, Serrated Flange ¾" - 18



FLOW DIVIDER DETAIL

<u>REF NO.</u>	<u>PART NUMBER</u>	<u>NO. USED</u>	<u>PART DESCRIPTION</u>
1	6005-1064	1	Flow Divider
2	4003-1036	1	Flow Divider Mounting Bracket
3	6005-1065	2	Hydraulic Fitting, 8JIC Male - Straight - 12NPT Male
4	6005-0455	2	Hydraulic Fitting, 8JIC Female - 90° Elbow - 8JIC Male
5	6005-0061	1	Hydraulic Fitting, 8JIC Female - 8JIC Male - Tee - 8JIC Male
6	6005-1118	1	Hydraulic Fitting, 12JIC Male - 90° Elbow - 12NPT Male
7	1013-0427	1	Hydraulic Fitting Start 12 NPT Female - 12 NPT Female
8	1013-0418	1	Hydraulic Fitting Start 12 NPT Male - 12 NPT Male
9	6005-0361	1	Hydraulic Fitting, 8JIC Male - Straight - 8NPT Male

31

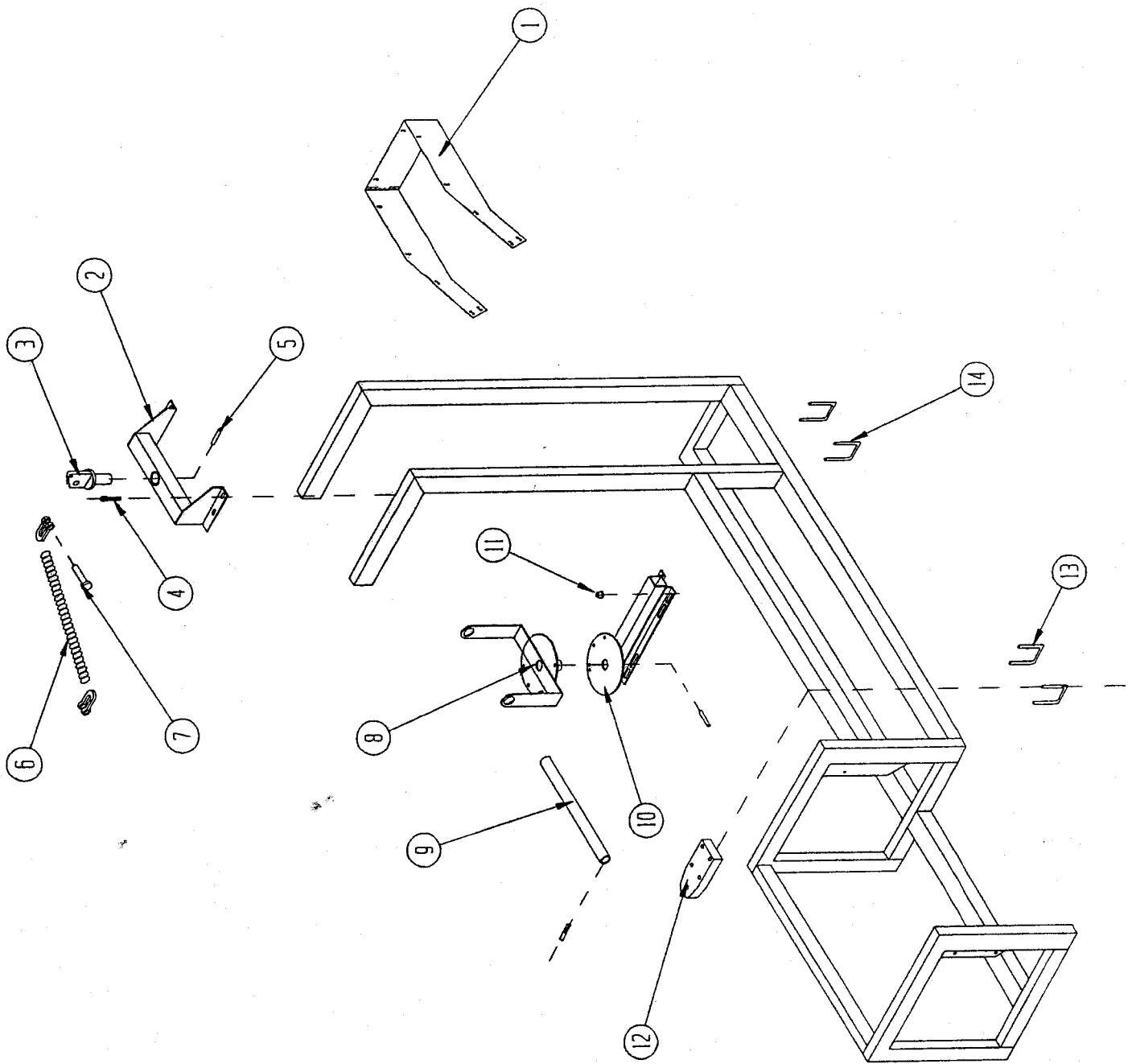


ELEVATOR GROUP, OPTIONAL
(4500-0136)

<u>REF NO.</u>	<u>PART NUMBER</u>	<u>NO. USED</u>	<u>PART DESCRIPTION</u>
1	9001-0206	1	Elevator Frame (Upper)
2	9001-0002	2	Elevator Frame (Lower)
3	3014-0004	2	Tightener
4	9001-0031	4	Shim
5	1015-0078	6	Pillow Block Bearing, 1" Bore
6	9003-0165	1	Drive Roller
7	1015-0108	2	Bearing, 1" 2-Bolt
8	1003-0066	4	Spacer, 1" Long
9	9003-0166	1	Idler Roller
10	9001-0202	2	Idler Wheel
11	9001-0037	1	Paddle Wheel
12	9001-0029	2	Tightener
13	9001-0046	1	Auger Roller
14	9001-0032	1	Pan Elevator
15	9001-0199	1	Cross Bar
16	9001-0035	2	Oak Strip Belt Guide
17	9001-0025	1	Elevator Side, L.H.
18	9001-0026	1	Elevator Side, R.H.
19	9001-0034	2	Oak Strip Belt Guide
20	9003-0151	1	Elevator Side, L.H.
21	9003-0152	1	Elevator Side, R.H.
22	9003-0119	2	Hanger Flat
23	9003-0113	1	Cylinder Bracket
24	9003-0130	1	Hopper Side, L.H.

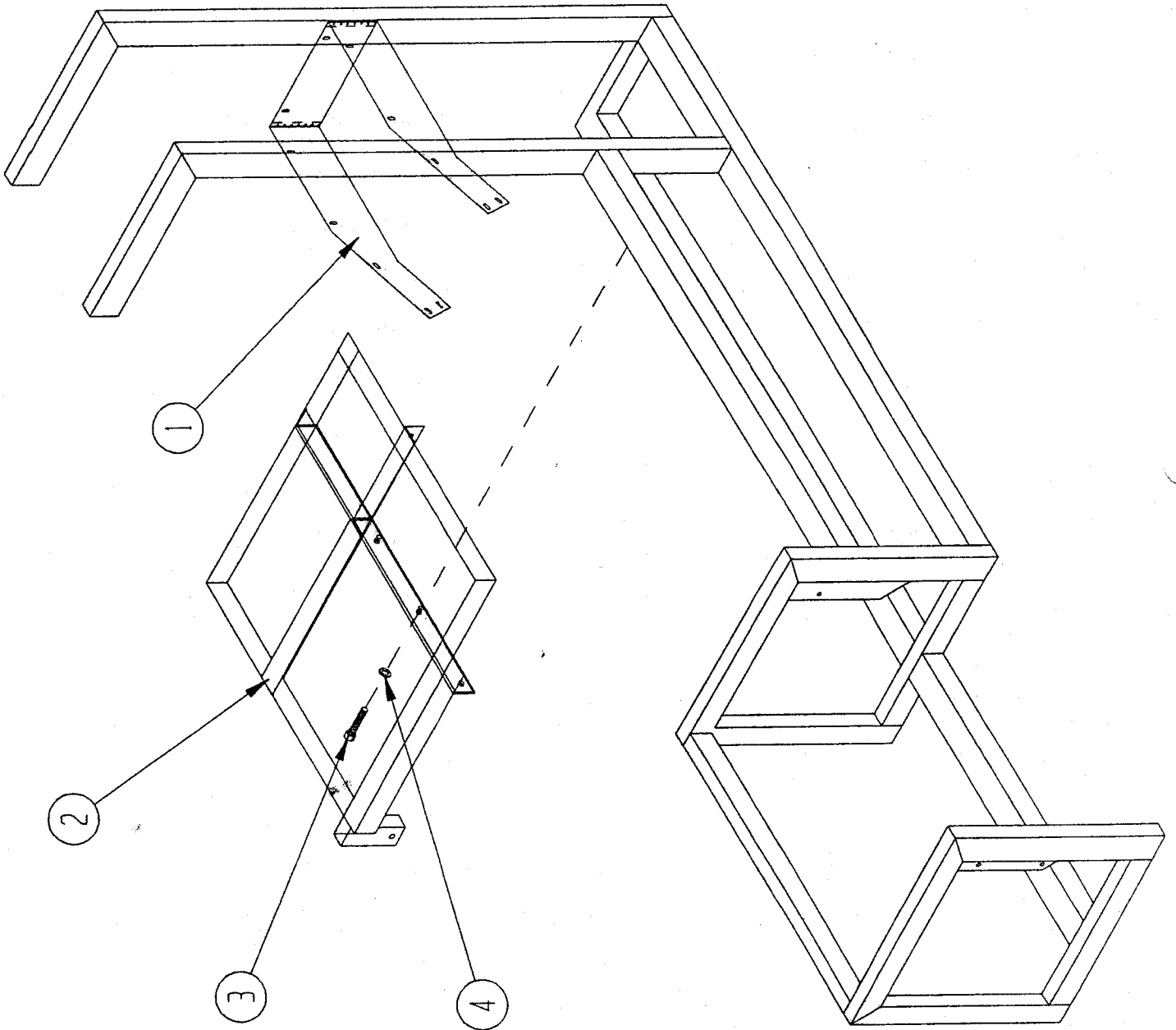
Elevator Group, Optional (Continued)

<u>REF NO.</u>	<u>PART NUMBER</u>	<u>NO. USED</u>	<u>PART DESCRIPTION</u>
25	9003-0131	1	Hopper Side, R.H.
26	9003-0132	1	Hopper Back
27	1021-0148	1	Belt
28	1021-0130	1	Lacing Wire
29	9003-0168	2	Cross Angle
30	3000-0251	2	"Trac-Pix" Decal
31	3000-0208	2	"for Beans" Decal
32	4003-0358	1	Hopper Belt
33	9003-0186	1	Rubber Elevator Side Belt
34	8001-0173	1	Hydraulic Motor
35	6005-0777	2	Hydraulic Fitting, 8JIC Male - Straight - 8JIC Male
36	7005-0354	2	Hydraulic Hose, 1/2 x 66" - 2500psi



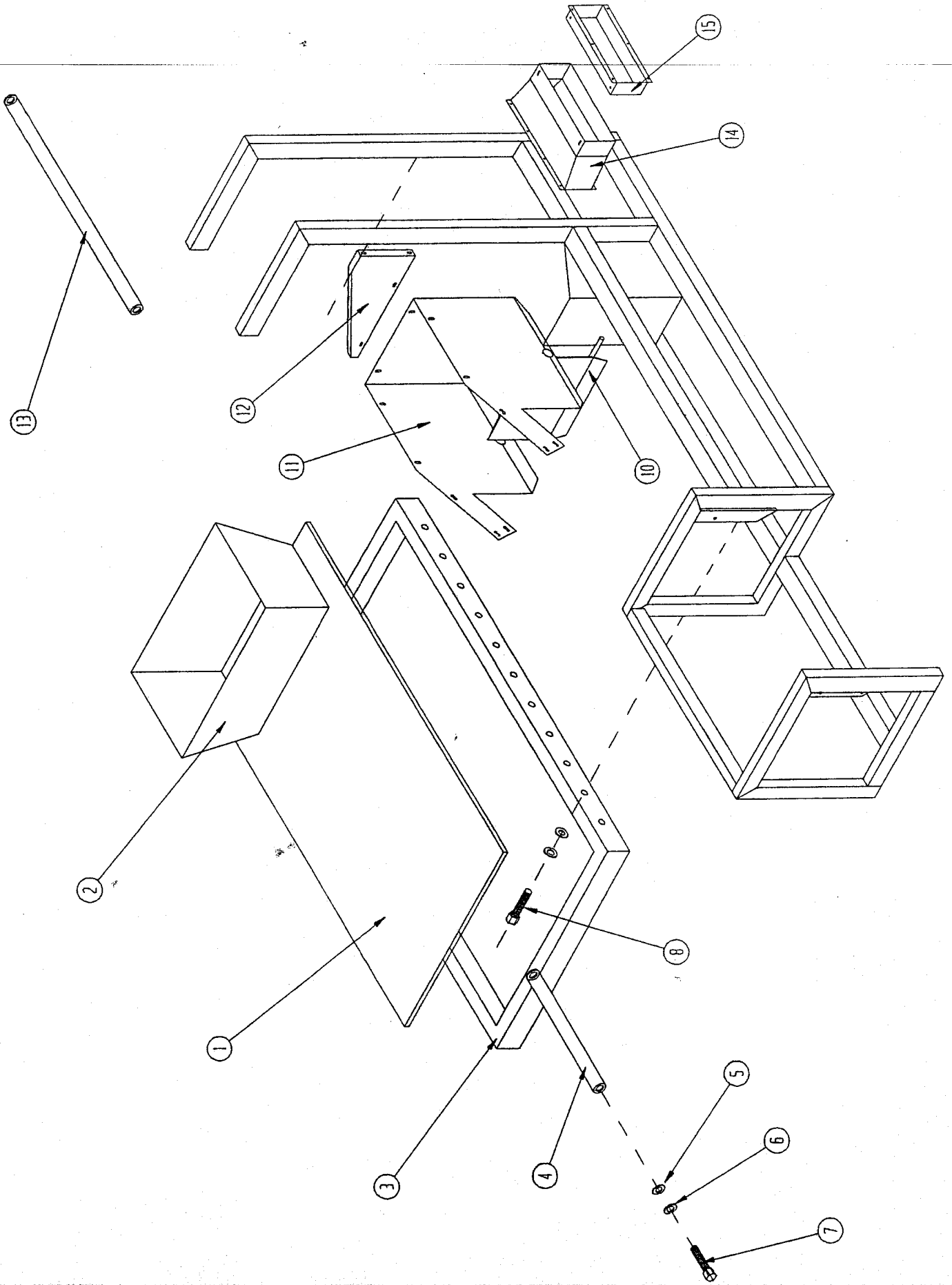
ELEVATOR MOUNT GROUP, OPTIONAL
(P/N 4500-0136)

<u>REF NO.</u>	<u>PART NUMBER</u>	<u>NO. USED</u>	<u>PART DESCRIPTION</u>
1	4003-0348	1	Duct Skirt
2	4003-0293	1	Elevator Pivot
3	9003-0114	1	Sun Dial
4	0002-0139	4	Bolt Hex Head ½ -13 x 1½"
5	0002-0295	3	Pin Roll ⅝x 2½"
6	6002-0144	1	Chain Elevator Support
7	0001-0062	2	Clevis with Pin
8	9003-0108	1	Elevator Yoke
9	9003-0120	1	Tube Elevator Mount
10	4003-0290	1	Elevator Mount
11	0002-0250	8	Nut Flange ½" -13
12	4003-0301	1	Hitch Mount
13	4003-0154	2	U-Bolt
14	4003-0297	2	U-Bolt ½"



PALLET FRAME
(P/N 4500-0126)

<u>REF NO.</u>	<u>PART NUMBER</u>	<u>NO. USED</u>	<u>PART DESCRIPTION</u>
1	4003-0267	1	Weldment, Duct Skirt
2	4003-0261	1	Weldment, Pallet Deck
3	0002-0371	3	Bolt Hex Head 1/2 -13 x 1 1/4 GR5 Zinc
4	0002-0336	3	Washer Split Lock 1/2 Zinc



BIN BOX GROUP
(P/N 4500-0134)

<u>REF NO.</u>	<u>PART NUMBER</u>	<u>NO. USED</u>	<u>PART DESCRIPTION</u>
1	4003-0231	1	Platform Floor Grate Serrated
2	4003-0225	1	Plastic Crate 1.25 Bushel for Beans
3	4003-0095	1	Weldment, Platform
4	4003-0126	1	Tube E.W. 1.00 OD x .120 Wall x 31.6875 Long
5	0002-0263	12	Washer Flat 1/2 Zinc
6	0002-0336	12	Washer Split Lock 1/2 Zinc
7	0002-0026	4	Bolt Hex Head 1/2-13 x 1 GR 5 Zinc
8	0002-0138	8	Bolt Hex Head 1/2 -13 x 1 1/4 GR5 PLN
9	4003-0230	1	Weldment, Hopper
10	4003-0179	1	Weldment, Flipper
11	4003-0229	1	Weldment, Divider
12	4003-0190	1	Duct Support
13	4003-0125	1	Tube E.W. 1.00 OD x .120 Wall x 70.750 Long
14	4003-1082	1	Duct, Large
15	4003-1079	1	Duct, Small