

REPAIR PARTS LIST



ONE-ROW TRAC-PIX™

FOR CORN

EFFECTIVE: 1990

Manufactured By

Pixall Corporation
CLEAR LAKE, WISCONSIN 54005

WARRANTY PARTS RETURN POLICY

IMPORTANT!

IMPORTANT!

All returned parts must be sent prepaid to Pixall Corporation, 100 Bean Street, P.O. Box 17, Clear Lake, Wisconsin 54005-0017.

It is **MOST IMPORTANT** that each component part be accompanied by a Part Failure Report Tag. The Part Failure Report Tag is the only means by which Pixall can give its vendors the information they request for warranty consideration. Remember, every line on these tags is important information. Parts without tags or incomplete tags will not be considered for warranty purposes. Many of Pixall's vendors require that failed parts be returned within a specified time frame in order to receive warranty consideration. To be safe, return all failed component parts as soon as possible from the date of failure with Part Failure Report attached.

PIXALL'S LIMITED WARRANTY

Pixall Corporation's Limited Warranty is as follows:

A. Basic Limited Warranty Coverage.

Pixall warrants that it will repair or, at its option, replace any parts manufactured by Pixall and found to be defective in factory material or workmanship for a period of 6 months or 500 engine hours after delivery to the original purchaser. Equipment which has been used for demonstration purposes for less than 250 hours is considered "new" for this purpose. Any parts or remanufactured assemblies furnished under this warranty are warranted against defects in material or workmanship for the longer of 90 days or expiration of the warranty on the equipment for which such parts or assemblies were supplied.

B. Pixall's Obligations.

Pixall will at its expense repair or, at its option, replace any parts manufactured by it and found to be defective in material or workmanship during the applicable warranty period, provided that the owner of the warranted equipment complies with the "Warranty Claims Procedure" set forth below. The equipment owner will be responsible for the expense of returning any parts to Pixall for warranty evaluation. Pixall will at its expense return any part repaired or replaced under this warranty to the owner of the warranted equipment, by truck, United Parcel Service or U.S. Mail, at Pixall's option. The equipment owner will be responsible for the cost of any other method of shipment, including air freight.

C. Items not Covered.

Pixall's limited warranty does not cover:

1. labor; 2. a mechanics travel time; 3. the cost of removal of defective parts and reinstallation of repaired or replacement parts; 4. used equipment, unless specifically covered by a separate written warranty; 5. component parts manufactured by others, including but not limited to, bearings, gear boxes, engines, transmissions and hydraulic components (but, if new, such items are ordinarily warranted by the manufacturer thereof); 6. depreciation or damage caused by normal wear and tear, accident, abuse, improper maintenance, abnormal use, use other than in accordance with Pixall's instructions, or improper protection in storage; 7. equipment which has been modified or altered other than with the prior written approval of Pixall; or 8. the cost of normal maintenance or service, including but not limited to the cost of replacement oil, bearings, sprockets, ignition parts, cutting parts, belts, chains, and brake linings; 9. consequential damages (the cost of repairing or replacing other property which is damaged when the equipment does not work properly).

D. Warranty Claims Procedure.

The owner of any warranted item claimed to be defective must:

1. notify Pixall in writing on Pixall's Warranty Claim Report immediately upon discovery of any defect covered by this warranty;
2. provide to Pixall contemporaneous documentary evidence of the date of delivery of the item to the original purchaser; and
3. if requested by Pixall, ship the defective part(s) to Pixall, freight prepaid, for inspection.

E. No Other Warranties.

Pixall makes no warranty other than that set forth above, express or implied.

PIXALL SPECIFICALLY DISCLAIMS ANY IMPLIED WARRANTY OF MERCHANTABILITY OR FITNESS FOR PURPOSE.

PIXALL GIVES NO WARRANTY THAT THE PRODUCTS SOLD WILL BE DELIVERED FREE OF THE RIGHTFUL CLAIM OF ANY

THIRD PARTY FOR INFRINGEMENT OF ANY PATENT, COPYRIGHT OR TRADEMARK OR ANY OTHER PROPRIETARY RIGHTS.

None of Pixall's dealers is authorized to make any representation or warranty on Pixall's behalf or in its name.

F. Obligations and Remedies are Exclusive.

Pixall's only obligations and its customers' only remedies, in connection with the sale of Pixall agricultural equipment, are those set forth in this warranty.

IN NO EVENT SHALL PIXALL BE RESPONSIBLE FOR ANY CONSEQUENTIAL OR INCIDENTAL DAMAGES, INCLUDING BUT NOT LIMITED TO DAMAGES FOR LOSS OF CROPS, LOSS OF PROFITS, OR RENTAL OF SUBSTITUTE EQUIPMENT, WHETHER FOR BREACH OF

WARRANTY OR OTHER BREACH OF CONTRACT, NEGLIGENCE OR OTHER TORT, OR ON ANY STRICT LIABILITY THEORY.

G. Your Rights Under State Law.

This warranty gives you specific legal rights and you may have other rights which may vary from state to state.

SAFETY-ALERT SYMBOL FOR AGRICULTURAL EQUIPMENT

Proposed by the Engineering Policy Committee of Farm and Industrial Equipment Institute; approved by ASAE Power and Machinery Division Standards Committee; adopted by ASAE February 1972; reconfirmed and reclassified as a Standard, March 1977; reconfirmed December 1981; approved by ANSI as an American National Standard December 1982; reconfirmed December 1986.

SECTION 1-PURPOSE

1.1 The purpose of this Standard is to establish a Safety-Alert Symbol for use on agricultural equipment, and to provide a symbol which means **ATTENTION! BECOME ALERT! YOUR SAFETY IS INVOLVED!**

SECTION 2-SCOPE

2.1 This Standard presents the general uses, limitations on use, and appearance of the Safety-Alert Symbol.

SECTION 3-DESCRIPTION

3.1 The Safety-Alert Symbol shall be an equilateral triangle with rounded corners and with an exclamation mark located in the center as shown in Figure 1. The dimensions are optional.

3.2 The Safety-Alert Symbol should be of contrasting colors which will cause the exclamation mark to stand out.

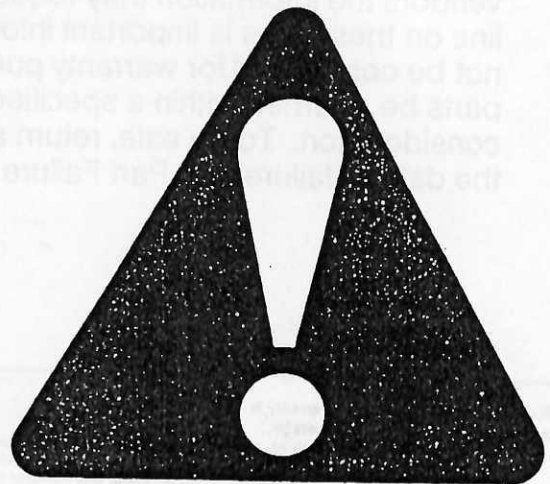


FIG. 1—SAFETY-ALERT SYMBOL

SECTION 4-APPLICATION

- 4.1 The symbol should be used:
- 4.1.1 In conjunction with warning statements and signs.
 - 4.1.2 In instruction manuals.
 - 4.1.3 In connection with agricultural equipment safety standards.
 - 4.1.4 On communications which concern agricultural equipment safety.
- 4.2 The symbol should *not* be used:
- 4.2.1 To indicate safety compliance or a safety characteristic.
 - 4.2.2 Alone on equipment for safety purposes.



Included throughout this manual and on machine decals you will see this Safety-Alert Symbol followed by precautionary statements such as **DANGER!**, **WARNING!**, and **CAUTION!**

After these statements will be specific instructions that must be followed both for your personal safety as well as for the safety of those working with you. **PLEASE READ THEM CAREFULLY.**

SAFETY DEFINITIONS

- DANGER:** The word DANGER denotes an **EXTREME INTRINSIC HAZARD** exists which would result in a high probability of **DEATH** or **IRREPARABLE INJURY** if proper procedures are not taken.
- WARNING:** The word WARNING denotes a **HAZARD** exists which can result in **INJURY** or **DEATH** if proper precautions are not taken.
- CAUTION:** The word CAUTION denotes a reminder of **SAFETY** practices, or directs attention to **UNSAFE** practices which could result in **PERSONAL INJURY** if proper precautions are not taken.
- IMPORTANT:** The word IMPORTANT is used to inform of the possibility of harvester damage if a certain procedure is not followed.

On the following pages you will find a listing of all decals on the harvester.

All safety and harvester operation decals are shown as well as their location on the harvester.

It is very important that these decals remain intact and visible at all times. all decals must be replaced if they become illegible or missing.

Any new equipment components installed during repair must include current safety signs as specified by the manufacturer to be affixed to the replacement component.

New safety decals can be requested through:

PIXALL CORPORATION
100 Bean Street, P.O. Box 17
Clear Lake, WI 54005

Phone: 715/263-2112
Telex: 9102403159
FAX: 715/263-2102

To affix new safety decals, area must be thoroughly cleaned with a moist towel and allowed to dry. After area has thoroughly dried, remove backing and place decal in appropriate area being sure to keep all air bubbles from behind decal.

If air bubbles do appear, work them to the nearest edge with a squeegee.

Now you can remove the protective covering from the decal.



Included throughout this manual and on machine decals you will see this Safety-Alert Symbol followed by precautionary statements such as **DANGER!**, **WARNING!**, and **CAUTION!**

After these statements will be specific instructions that must be followed both for your personal safety as well as for the safety of those working with you. **PLEASE READ THEM CAREFULLY.**

SAFETY DEFINITIONS

- DANGER:** The word DANGER denotes an **EXTREME INTRINSIC HAZARD** exists which would result in a high probability of **DEATH** or **IRREPARABLE INJURY** if proper procedures are not taken.
- WARNING:** The word WARNING denotes a **HAZARD** exists which can result in **INJURY** or **DEATH** if proper precautions are not taken.
- CAUTION:** The word CAUTION denotes a reminder of **SAFETY** practices, or directs attention to **UNSAFE** practices which could result in **PERSONAL INJURY** if proper precautions are not taken.
- IMPORTANT:** The word IMPORTANT is used to inform of the possibility of harvester damage if a certain procedure is not followed.

On the following pages you will find a listing of all decals on the harvester.

All safety and harvester operation decals are shown as well as their location on the harvester.

It is very important that these decals remain intact and visible at all times. all decals must be replaced if they become illegible or missing.

Any new equipment components installed during repair must include current safety signs as specified by the manufacturer to be affixed to the replacement component.

New safety decals can be requested through:

PIXALL CORPORATION
100 Bean Street, P.O. Box 17
Clear Lake, WI 54005

Phone: 715/263-2112
Telex: 9102403159
FAX: 715/263-2102

To affix new safety decals, area must be thoroughly cleaned with a moist towel and allowed to dry. After area has thoroughly dried, remove backing and place decal in appropriate area being sure to keep all air bubbles from behind decal.

If air bubbles do appear, work them to the nearest edge with a squeegee.

Now you can remove the protective covering from the decal.

SAFETY PRECAUTIONS

Most machine accidents can be avoided by the observance of a few simple safety precautions.

1. Do not attempt to lubricate or make any adjustments while it is in motion or tractor is running.
2. Do not permit anyone to ride on harvester.
3. Be especially careful when operating on hillsides as tractor could tip sideways if it strikes a hole, ditch, or other irregularity. Keep tractor in gear when going downhill.
4. Keep all shields in place.
5. Do not work under 3-point harvester when it is in the raised position unless it is properly blocked.
6. Be sure tractor engine is off and parking brake is engaged before leaving control area.
7. Keep children away from harvester at all times.

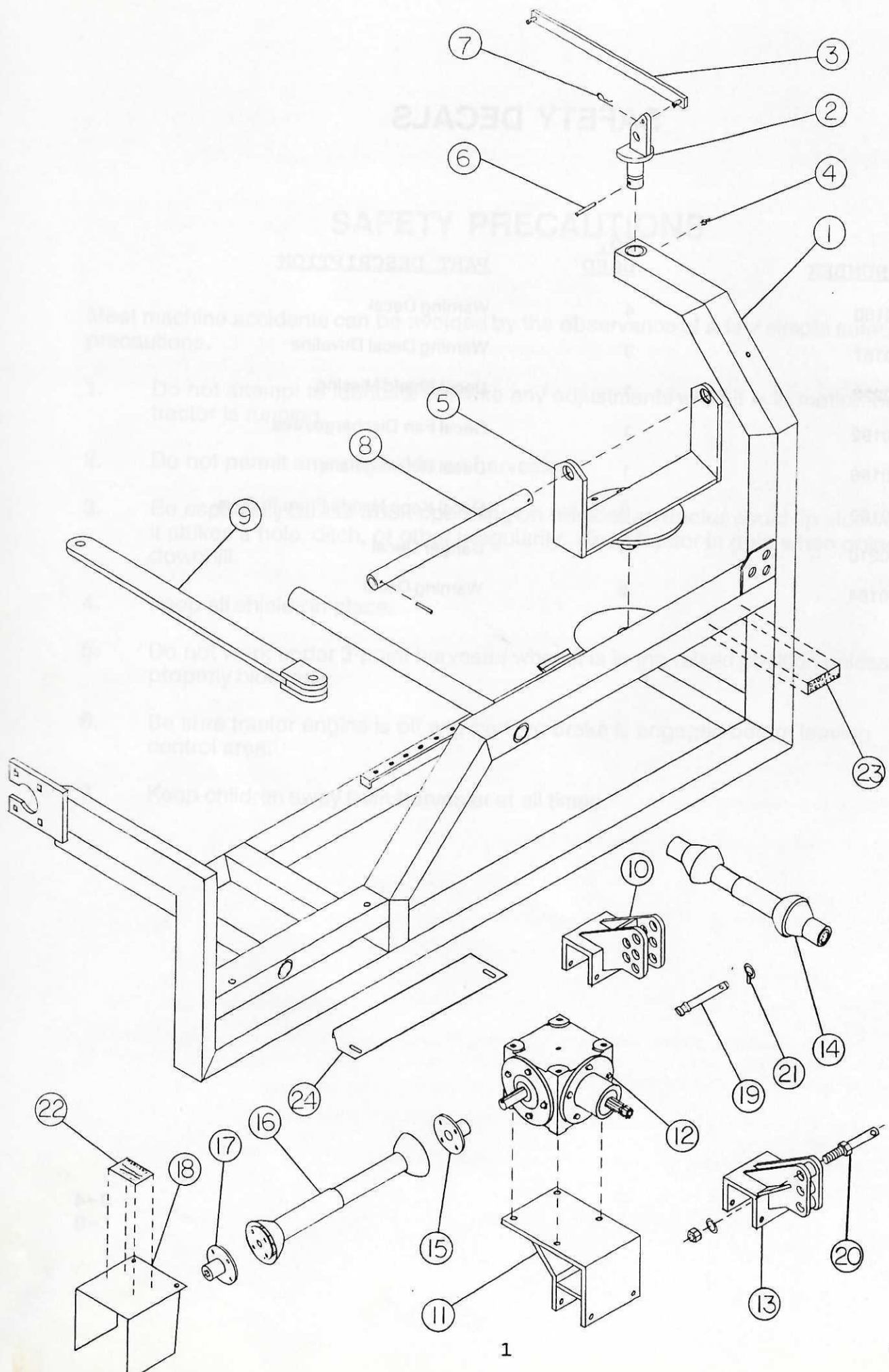
SAFETY PRECAUTIONS

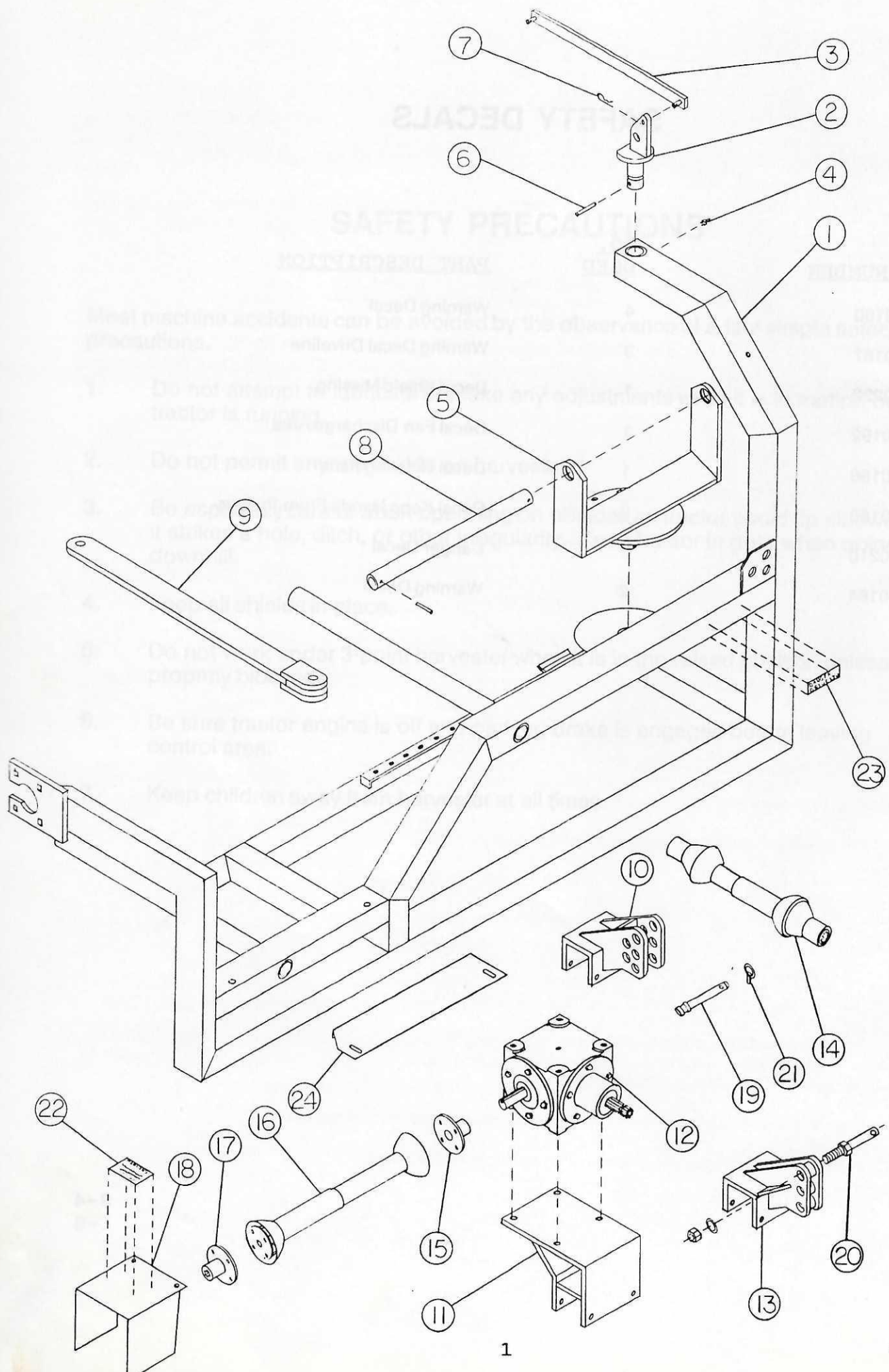
Most machine accidents can be avoided by the observance of a few simple safety precautions.

1. Do not attempt to lubricate or make any adjustments while it is in motion or tractor is running.
2. Do not permit anyone to ride on harvester.
3. Be especially careful when operating on hillsides as tractor could tip sideways if it strikes a hole, ditch, or other irregularity. Keep tractor in gear when going downhill.
4. Keep all shields in place.
5. Do not work under 3-point harvester when it is in the raised position unless it is properly blocked.
6. Be sure tractor engine is off and parking brake is engaged before leaving control area.
7. Keep children away from harvester at all times.

SAFETY DECALS

<u>PART NUMBER</u>	<u>NO. USED</u>	<u>PART DESCRIPTION</u>
A3000-0160	4	Warning Decal
A3000-0187	3	Warning Decal Driveline
A3000-0222	1	Decal Shield Missing
A3000-0192	1	Decal Fan Discharge Area
A3000-0186	1	Decal Rotating Fans
A3000-0189	2	Decal Keep Hands From Pulleys
A3000-0210	2	Danger Decal
A3000-0184	2	Warning Decal





**3-POINT CORN
MAIN FRAME AND ATTACHMENTS**

<u>REF NO.</u>	<u>PART NUMBER</u>	<u>NO. USED</u>	<u>PART DESCRIPTION</u>
1	D9003-0001	1	Main Frame
2	A9003-0114	1	Sun Dial
3	A9003-0121	1	Stationary Lock Out
4	A1015-0126	2	Grease Fitting
5	B9003-0108	1	Elevator Yoke
6	A0002-0295	4	Roll Pin $\frac{5}{16}$ " x $2\frac{1}{2}$ "
7	A6003-0231	2	Hair Pin
8	A9003-0120	1	Mount Tube Elevator
9	A9003-0080	1	Tongue
10	A9003-0026	1	Center Link Mount
11	A9003-0031	1	Mounting - Gear Box
12	A9003-0085	1	Gear Box Model 88
13	A9003-0104	2	Lower Link
14	A1022-0196	1	PTO Shaft
15	A9003-0136	1	Shear Plate
16	A1022-0200	1	Drive Shaft
17	A9003-0137	1	Shear Plate Hex
18	9003-0068	2	Shield PTO Shaft
19	A1022-0199	1	Pin Top Link
20	A1022-0198	2	Pin Lower Link
21	A1022-0197	3	Lynch Pin
22	A3000-0160	2	Warning Decal
23	A3000-0187	3	Warning Decal Driveline
24	A9003-0142	1	Drive Guard

**3-POINT CORN
CLEANING FRAME & DRIVES**

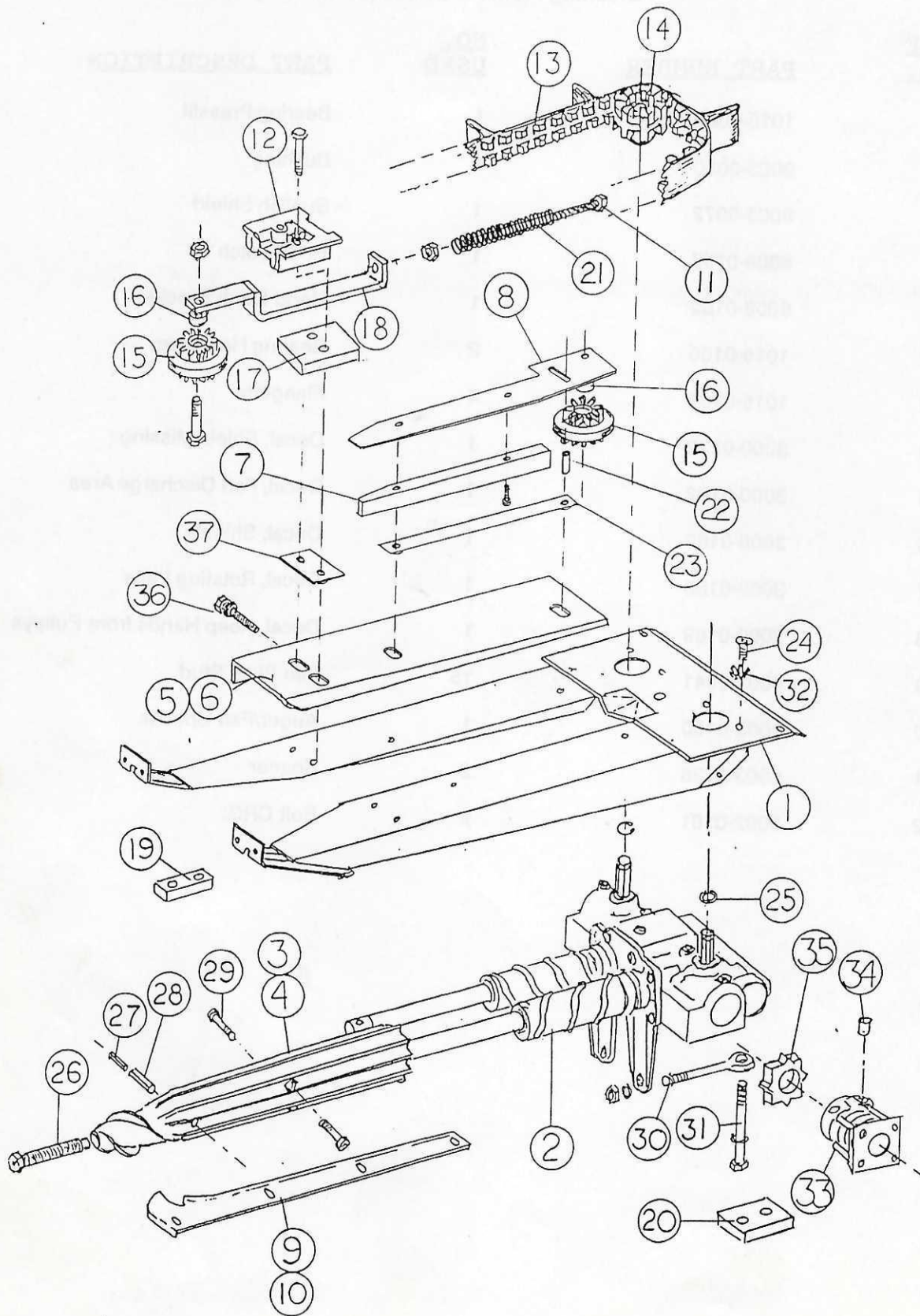
<u>REF NO.</u>	<u>PART NUMBER</u>	<u>NO. USED</u>	<u>PART DESCRIPTION</u>
1	9003-0091	1	Row Unit 3-Point Corn
2	9003-0125	1	Intake Housing
3	9003-0054	1	Shaft 1.25 Auger/Fan 39"
4	9003-0123	1	Puree Fan
5	9003-0095	2	Mounting Flat
6	9003-0047	1	Auger
7	6003-0229	1	1" Spacer
8	9003-0144	1	Fan Wrap
9	9003-0042	1	Discharge Chute
10	9003-0145	1	Outer Fan Plate
11	1015-0007	2	Bearing with 4 Bolt Flange
12	9003-0139	1	Hopper Slide
13	9003-0063	1	Intake Baffle
14	1025-0004	2	Spring
15	0002-0002	4	Flat Washer
16	0002-0019	2	Nut Wing
17	9003-0067	2	Tube
18	9003-0065	2	Arm
19	9003-0148	1	Tube PVC
20	9003-0141	1	Bar, Hex
21	1020-0088	1	Pulley Driver
22	0001-0175	1	Taper Lock
23	1020-0039	1	Pulley Driven
24	0001-0176	1	Taper Lock
25	1021-0166	1	Belt V
26	9003-0057	1	Aluminum Idler Pulley

3-POINT CORN
CLEANING FRAME & DRIVES

PART NUMBER	QTY	PART DESCRIPTION
8003-0001	1	Row Unit 3-Point Cor
8003-0138	1	Washer Housing
8003-0004	1	Shield 1.25 Auger on 28"
8003-0100	1	Protecter
8003-0092	2	Mounting Flange
8003-0042	1	Auger
8003-0029	1	1" Spacer
8003-0144	1	Fan V-Block
8003-0040	1	Discharge Guide
8003-0140	1	Over Fan Plate
1010-0001	2	Bracket with 4 Bolt Flange
8003-0108	1	Hooper-Grate
8003-0003	1	Washer Drive
1025-0004	2	Spring
8003-0005	1	Flat Washer
8003-0020	2	Nut Wing
8003-0101	2	Type
1025-0002	2	Arm
8003-0140	1	Tube V-Block
8003-0144	1	Ear Flange
1020-0088	1	Finger Lever
1020-0170	1	Finger Lock
1025-0020	1	Finger Drive
8001-0170	1	Finger Lock
1021-0160	2	Bolt V
8003-0025	1	Aluminum Rib Follow

**3-POINT CORN
Cleaning Frame & Drives (Continued)**

<u>REF NO.</u>	<u>PART NUMBER</u>	<u>NO. USED</u>	<u>PART DESCRIPTION</u>
27	1015-0025	1	Bearing Pressfit
28	9003-0050	1	Bushing
29	9003-0072	1	Sunfish Shield
30	6008-0157	1	Hood Latch
31	6008-0162	1	Hood Latch Bracket
32	1015-0166	2	Bearing Hex Bore
33	1015-0167	4	Flangette
34	3000-0222	1	Decal, Shield Missing
35	3000-0192	1	Decal, Fan Discharge Area
36	3000-0160	1	Decal, Shields
37	3000-0186	1	Decal, Rotating Fans
38	3000-0189	1	Decal, Keep Hands from Pulleys
39	9003-0041	15	Fan Plate Stud
40	9003-0150	1	Auger/Fan Spacer
41	6003-0228	2	Spacer
42	0002-0101	2	Bolt CRG.



**3-POINT CORN
PICKING UNIT**

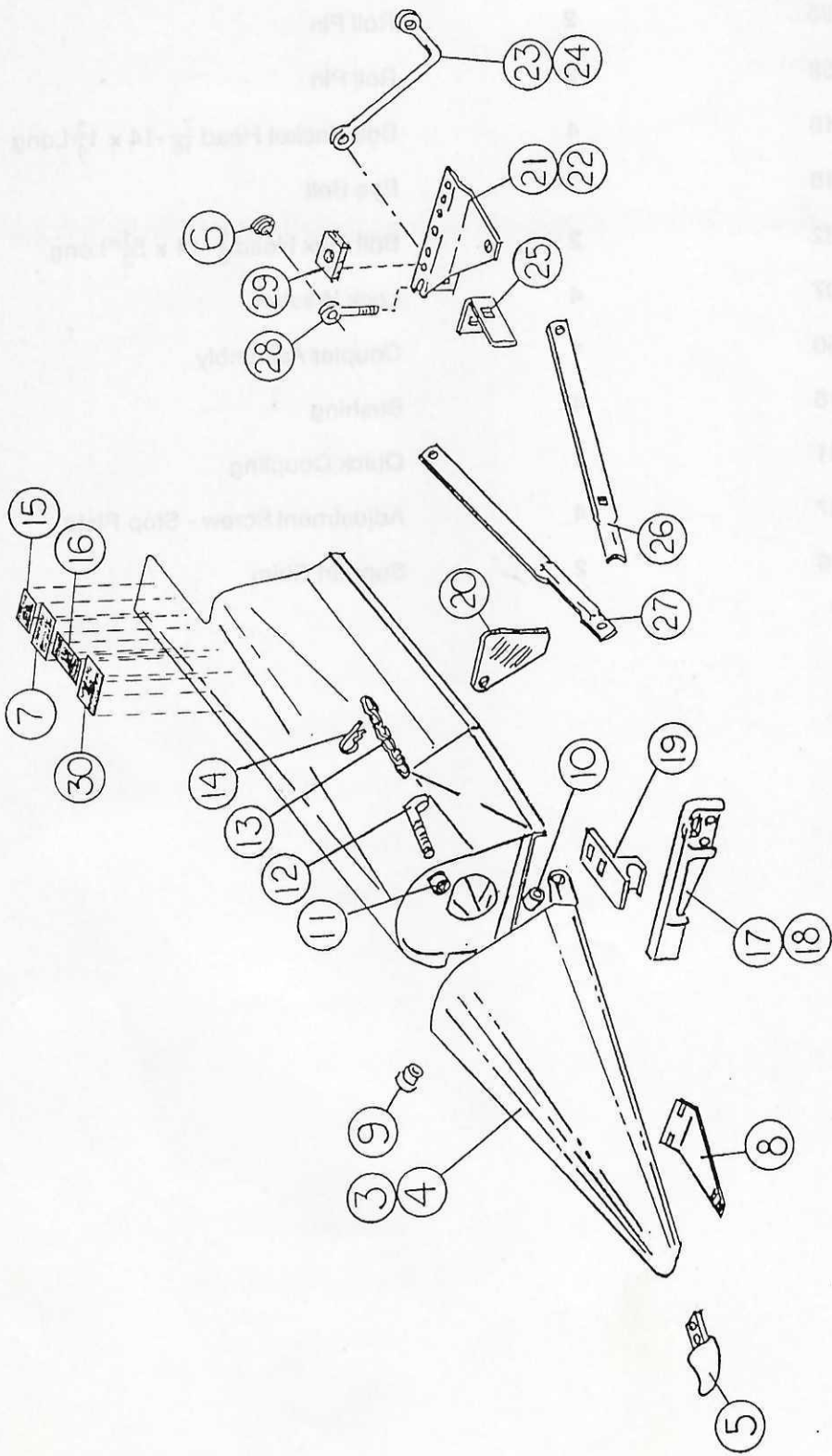
<u>REF NO.</u>	<u>PART NUMBER</u>	<u>NO. USED</u>	<u>PART DESCRIPTION</u>
1	D7007-0198	1	Frame, Row Unit
2	A7007-0249	1	Gear Box Assembly
3	D7007-0001	1	Stalk Roll, L.H.
4	D7007-0002	1	Stalk Roll, R.H.
5	C7007-0325	1	Stop Plate, L.H.
6	C7007-0326	1	Stop Plate, R.H.
7	A7007-0382	2	Wear Strip
8	A7007-0381	2	Wear Strip Cover
9	A7007-0200	1	Weed Knife, L.H.
10	A7007-0201	1	Weed Knife, R.H.
11	A0002-0603	2	Take-Up Bolt
12	A7007-0202	2	Support
13	B7007-0265	2	Gathering Belt
14	A7007-0266	2	Drive Sprocket, 6 Tooth
15	A7007-0255	4	Idler Pulley with Bearings
16	A7007-0268	4	Spacer
17	A7007-0551	2	Spacer, Aluminum
18	A7007-0257	2	Take-Up Strap
19	A7007-0264	2	Riser Block - Dog House
20	A7007-0275	2	Riser Block - End Snout
21	A7007-0208	2	Spring
22	A7007-0383	2	Spacer
23	A7007-0387	2	Wear Strip Shim
24	E0002-0604	4	Screw Socket Head
25	E0002-0605	2	Lock Ring $1\frac{1}{8}$ "
26	A7007-0214	AR	Puller

3-POINT CORN PICKING UNIT

PART NO.	PART DESCRIPTION	QTY	UNIT
AT001-0001	Frame/Rear Part	1	EA
AT001-0002	Ground Assembly	1	EA
AT001-0003	Rear Roll L/R	2	EA
AT001-0004	Roller Part R/L	2	EA
AT001-0005	Roller Part L/R	2	EA
AT001-0006	Roller Part R/L	2	EA
AT001-0007	Roller Part L/R	2	EA
AT001-0008	Wear Strip	2	EA
AT001-0009	Wear Strip Cover	2	EA
AT001-0010	Wood Block L/R	2	EA
AT001-0011	Wood Block R/L	2	EA
AT001-0012	Tip-Up Roll	2	EA
AT001-0013	Roller	2	EA
AT001-0014	Roller Part	2	EA
AT001-0015	Roller Part	2	EA
AT001-0016	Roller Part	2	EA
AT001-0017	Roller Part	2	EA
AT001-0018	Roller Part	2	EA
AT001-0019	Roller Part	2	EA
AT001-0020	Roller Part	2	EA
AT001-0021	Roller Part	2	EA
AT001-0022	Roller Part	2	EA
AT001-0023	Roller Part	2	EA
AT001-0024	Roller Part	2	EA
AT001-0025	Roller Part	2	EA
AT001-0026	Roller Part	2	EA
AT001-0027	Roller Part	2	EA
AT001-0028	Roller Part	2	EA
AT001-0029	Roller Part	2	EA
AT001-0030	Roller Part	2	EA
AT001-0031	Roller Part	2	EA
AT001-0032	Roller Part	2	EA
AT001-0033	Roller Part	2	EA
AT001-0034	Roller Part	2	EA
AT001-0035	Roller Part	2	EA
AT001-0036	Roller Part	2	EA
AT001-0037	Roller Part	2	EA
AT001-0038	Roller Part	2	EA
AT001-0039	Roller Part	2	EA
AT001-0040	Roller Part	2	EA
AT001-0041	Roller Part	2	EA
AT001-0042	Roller Part	2	EA
AT001-0043	Roller Part	2	EA
AT001-0044	Roller Part	2	EA
AT001-0045	Roller Part	2	EA
AT001-0046	Roller Part	2	EA
AT001-0047	Roller Part	2	EA
AT001-0048	Roller Part	2	EA
AT001-0049	Roller Part	2	EA
AT001-0050	Roller Part	2	EA
AT001-0051	Roller Part	2	EA
AT001-0052	Roller Part	2	EA
AT001-0053	Roller Part	2	EA
AT001-0054	Roller Part	2	EA
AT001-0055	Roller Part	2	EA
AT001-0056	Roller Part	2	EA
AT001-0057	Roller Part	2	EA
AT001-0058	Roller Part	2	EA
AT001-0059	Roller Part	2	EA
AT001-0060	Roller Part	2	EA
AT001-0061	Roller Part	2	EA
AT001-0062	Roller Part	2	EA
AT001-0063	Roller Part	2	EA
AT001-0064	Roller Part	2	EA
AT001-0065	Roller Part	2	EA
AT001-0066	Roller Part	2	EA
AT001-0067	Roller Part	2	EA
AT001-0068	Roller Part	2	EA
AT001-0069	Roller Part	2	EA
AT001-0070	Roller Part	2	EA
AT001-0071	Roller Part	2	EA
AT001-0072	Roller Part	2	EA
AT001-0073	Roller Part	2	EA
AT001-0074	Roller Part	2	EA
AT001-0075	Roller Part	2	EA
AT001-0076	Roller Part	2	EA
AT001-0077	Roller Part	2	EA
AT001-0078	Roller Part	2	EA
AT001-0079	Roller Part	2	EA
AT001-0080	Roller Part	2	EA
AT001-0081	Roller Part	2	EA
AT001-0082	Roller Part	2	EA
AT001-0083	Roller Part	2	EA
AT001-0084	Roller Part	2	EA
AT001-0085	Roller Part	2	EA
AT001-0086	Roller Part	2	EA
AT001-0087	Roller Part	2	EA
AT001-0088	Roller Part	2	EA
AT001-0089	Roller Part	2	EA
AT001-0090	Roller Part	2	EA
AT001-0091	Roller Part	2	EA
AT001-0092	Roller Part	2	EA
AT001-0093	Roller Part	2	EA
AT001-0094	Roller Part	2	EA
AT001-0095	Roller Part	2	EA
AT001-0096	Roller Part	2	EA
AT001-0097	Roller Part	2	EA
AT001-0098	Roller Part	2	EA
AT001-0099	Roller Part	2	EA
AT001-0100	Roller Part	2	EA

**3-POINT CORN
Picking Unit (continued)**

<u>REF NO.</u>	<u>PART NUMBER</u>	<u>NO. USED</u>	<u>PART DESCRIPTION</u>
27	E0002-0295	2	Roll Pin
28	E0002-0558	2	Roll Pin
29	E0002-0318	4	Bolt Socket Head $\frac{7}{16}$ "-14 x $1\frac{3}{4}$ " Long
30	A7007-0216	2	Eye Bolt
31	E0002-0182	2	Bolt Hex Head $\frac{5}{8}$ "-11 x $5\frac{1}{2}$ " Long
32	E0002-0607	4	Lock Washer
33	A7007-0250	1	Coupler Assembly
34	A7007-0316	4	Bushing
35	A7007-0251	1	Quick Coupling
36	A9001-0187	4	Adjustment Screw - Stop Plate
37	A7007-0386	2	Support Shim
18	A7007-0106		
13	A7007-0140		
14	E0002-0211		
15	A3000-0189		
16	A3000-0210		
17	A7007-0143		
18	A7007-0144		
19	A7007-0145		
20	A7007-0146		
21	B7007-0209		
22	B7007-0279		
23	A7007-0147		
24	A7007-0148		
25	A7007-0102		



**3-POINT CORN
GATHERER AND POINT**

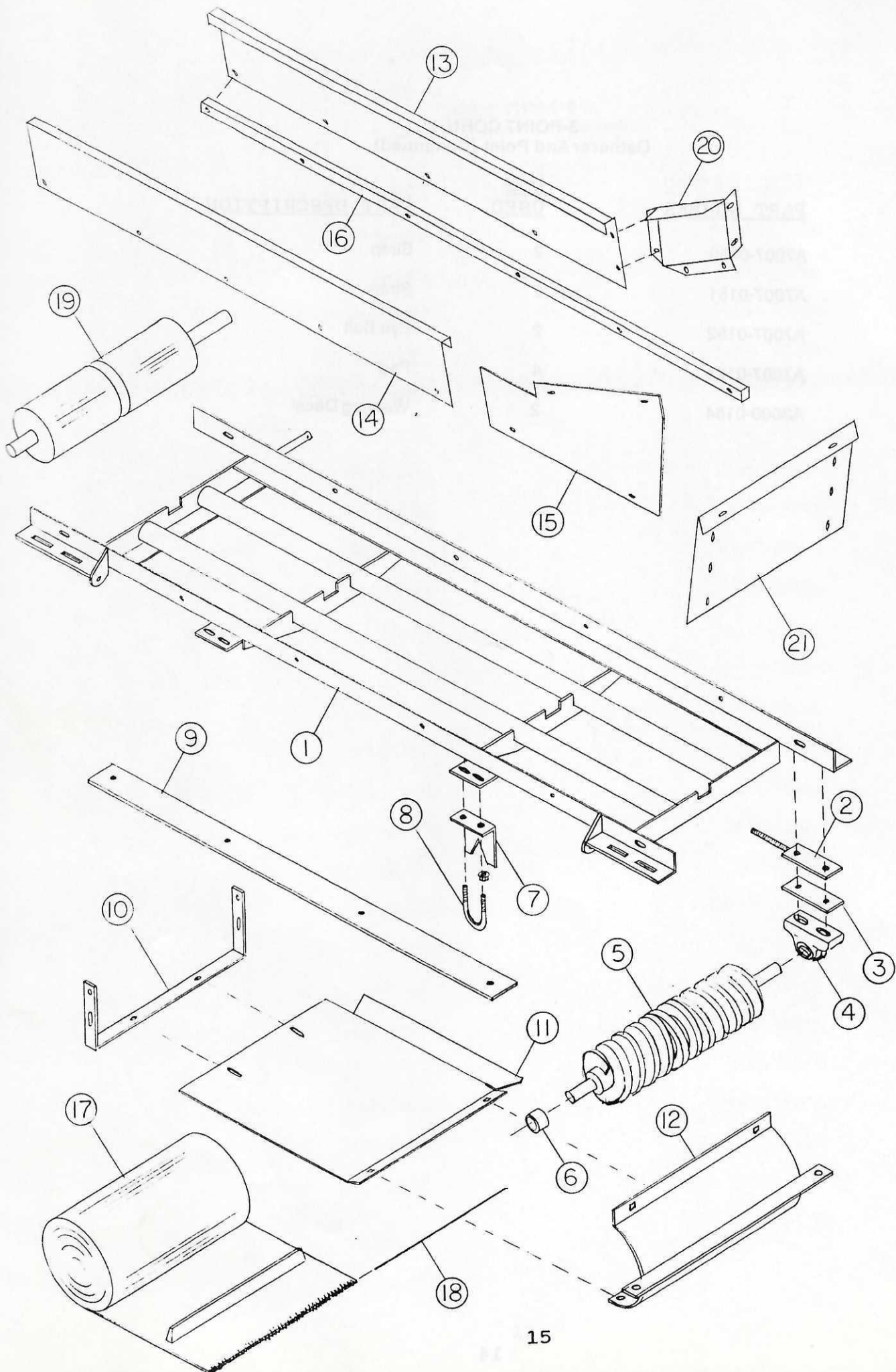
<u>REF NO.</u>	<u>PART NUMBER</u>	<u>NO. USED</u>	<u>PART DESCRIPTION</u>
1	A9003-0153	1	Gatherer, R.H.
2	A9003-0154	1	Gatherer, L.H.
3	A7007-0131	1	Gatherer Point, L.H.
4	A7007-0130	1	Gatherer Point, R.H.
5	A7007-0132	2	Shoe
6	A7007-0309	2	Bushing
7	A3000-0160	2	Caution Decal
8	A7007-0135	2	Skid Plate
9	A7007-0136	2	Bushing
10	A7007-0137	2	Spacer
11	A7007-0178	2	Spacer
12	A7007-0139	2	Rod
13	A7007-0140	2	Link Chain
14	6003-0231	2	Spring Pin
15	A3000-0189	2	Warning Decal
16	A3000-0210	2	Danger Decal
17	A7007-0143	1	Hinge, L.H.
18	A7007-0144	1	Hinge, R.H.
19	A7007-0145	4	Hook
20	A7007-0146	2	Gate
21	B7007-0269	1	Support, L.H.
22	B7007-0270	1	Support, R.H.
23	A7007-0147	1	Brace, L.H.
24	A7007-0148	1	Brace, R.H.
25	A7007-0102	4	Angle

2-POINT CORN
GATHERER AND POINT



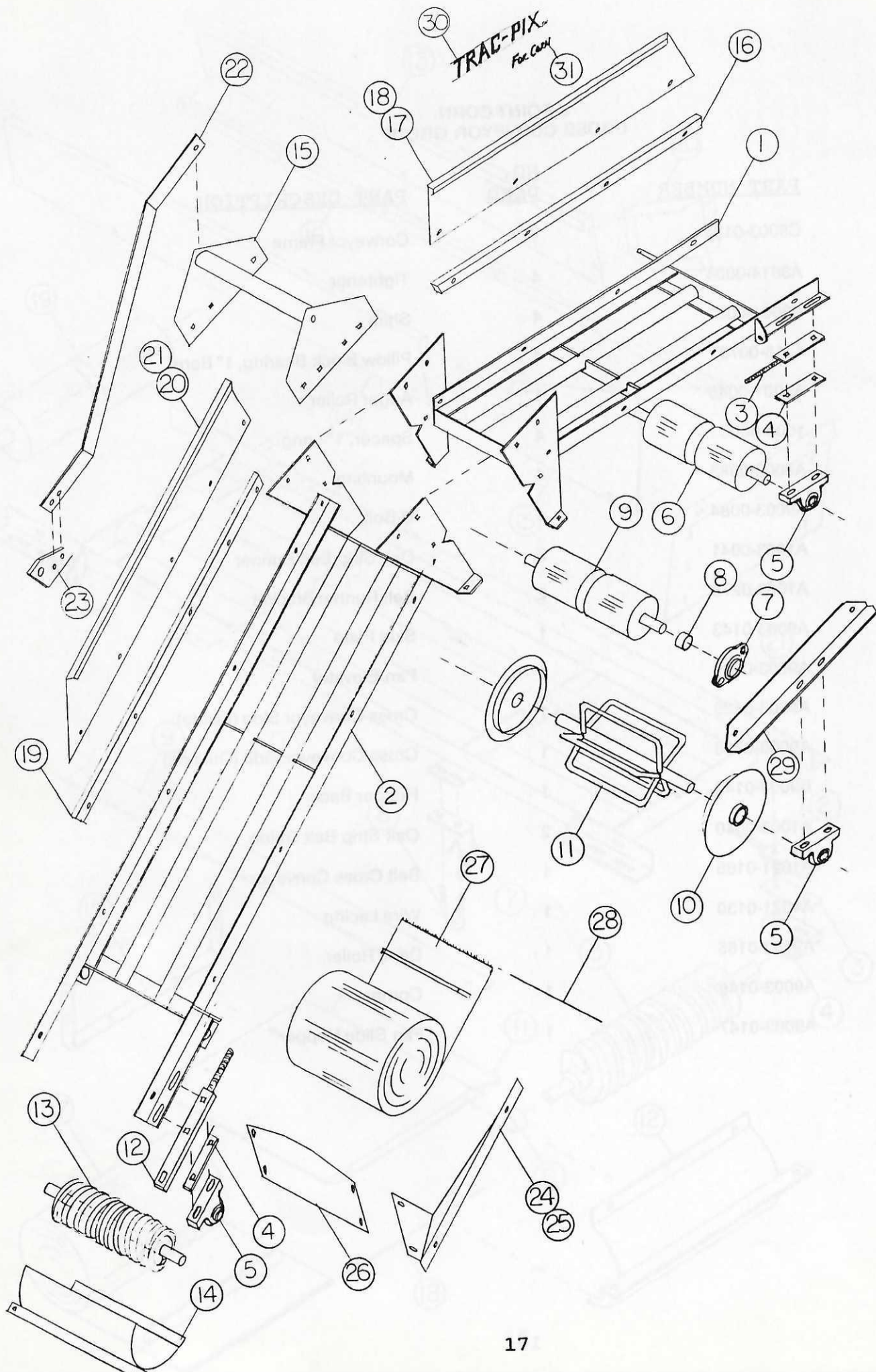
**3-POINT CORN
Gatherer And Point (Continued)**

<u>REF NO.</u>	<u>PART NUMBER</u>	<u>NO. USED</u>	<u>PART DESCRIPTION</u>
26	A7007-0150	2	Strap
27	A7007-0151	2	Strap
28	A7007-0152	2	Eye Bolt
29	A7007-0153	4	Pad
30	A3000-0184	2	Warning Decal



**3-POINT CORN
CROSS CONVEYOR GROUP**

<u>REF NO.</u>	<u>PART NUMBER</u>	<u>NO. USED</u>	<u>PART DESCRIPTION</u>
1	C9003-0101	1	Conveyor Frame
2	A3014-0004	4	Tightener
3	A9001-0031	4	Shim
4	1015-0078	4	Pillow Block Bearing, 1" Bore
5	A9001-0046	1	Auger Roller
6	1003-0066	4	Spacer, 1" Long
7	A9003-0083	4	Mounting
8	A9003-0084	4	U-Bolt
9	A1003-0041	2	Oak Strip Belt Runner
10	A1009-0278	2	Belt Runner Bracket
11	A9003-0143	1	Skid Plate
12	A9003-0069	1	Pan Elevator
13	A9003-0129	1	Cross Conveyor Side (Inside)
14	A9003-0128	1	Cross Conveyor Side (Outside)
15	B9003-0140	1	Hopper Back
16	A1003-0040	2	Oak Strip Belt Guide
17	A1021-0165	1	Belt Cross Conveyor
18	A1021-0130	1	Wire Lacing
19	A9003-0165	1	Drive Roller
20	A9003-0146	1	Corner
21	A9003-0147	1	Fan Slide Hopper



**3-POINT CORN
ELEVATOR GROUP**

<u>REF NO.</u>	<u>PART NUMBER</u>	<u>NO. USED</u>	<u>PART DESCRIPTION</u>
1	D9001-0206	1	Elevator Frame (Upper)
2	D9001-0002	2	Elevator Frame (Lower)
3	A3014-0014	2	Tightener
4	A9001-0031	4	Shim
5	1015-0078	6	Pillow Block Bearing, 1" Bore
6	A9003-0165	1	Drive Roller
7	1015-0108	2	Bearing, 1" 2 Bolt
8	1003-0066	4	Spacer, 1" Long
9	A9003-0166	1	Idler Roller
10	B9001-0202	2	Idler Wheel
11	B9001-0037	1	Paddle Wheel
12	A9001-0029	2	Tightener
13	A9001-0046	1	Auger Roller
14	B9001-0032	1	Pan Elevator
15	B9001-0199	1	Cross Bar
16	A9001-0035	2	Oak Strip Belt Guide
17	B9001-0025	1	Elevator Side, L.H.
18	B9001-0026	1	Elevator Side, R.H.
19	A9001-0034	2	Oak Strip Belt Guide
20	B9003-0151	1	Elevator Side, L.H.
21	B9003-0152	1	Elevator Side, R.H.
22	A9003-0119	2	Hanger Flat
23	A9003-0113	1	Cylinder Bracket
24	A9003-0130	1	Hopper Side, L.H.
25	A9003-0131	1	Hopper Side, R.H.
26	A9003-0132	1	Hopper Back

PLANT GROUP
PLANT CODE

PLANT DESCRIPTION

PLANT CODE

PLANT NUMBER

PLANT NO.

Excavator (Front loader)

12

0001-0001

1

Excavator (Front loader)

2

0001-0002

2

Excavator

3

0001-0003

3

Excavator

4

0001-0004

4

Excavator

5

0001-0005

5

Excavator

6

0001-0006

6

Excavator

7

0001-0007

7

Excavator

8

0001-0008

8

Excavator

9

0001-0009

9

Excavator

10

0001-0010

10

Excavator

11

0001-0011

11

Excavator

12

0001-0012

12

Excavator

13

0001-0013

13

Excavator

14

0001-0014

14

Excavator

15

0001-0015

15

Excavator

16

0001-0016

16

Excavator

17

0001-0017

17

Excavator

18

0001-0018

18

Excavator

19

0001-0019

19

Excavator

20

0001-0020

20

Excavator

21

0001-0021

21

Excavator

22

0001-0022

22

Excavator

23

0001-0023

23

Excavator

24

0001-0024

24

Excavator

25

0001-0025

25

Excavator

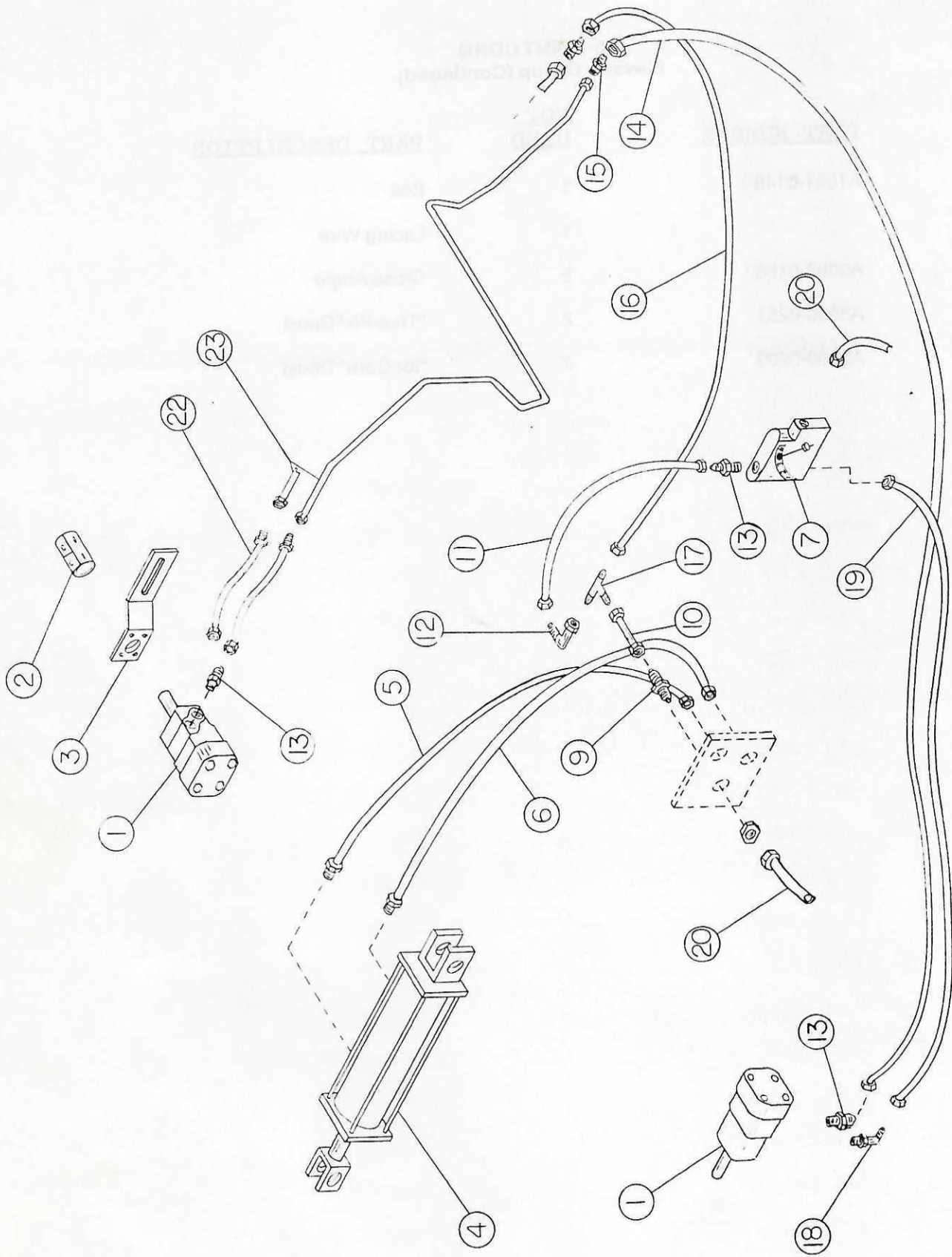
26

0001-0026

26

**3-POINT CORN
Elevator Group (Continued)**

<u>REF NO.</u>	<u>PART NUMBER</u>	<u>NO. USED</u>	<u>PART DESCRIPTION</u>
27	A1021-0148	1	Belt
28		1	Lacing Wire
29	A9003-0168	2	Cross Angle
30	A3000-0251	2	"Trac-Pix" Decal
31	A3000-0209	2	"for Corn" Decal
1		1	Hydraulic Hose, 30' Long
2		1	Flare Coupler
3		3	Hydraulic Fitting, 1/2" Head
10		1	Hydraulic Tube
11		1	Hydraulic Hose, 30' Long
12		1	Hydraulic Fitting, Elbow
13		3	Hydraulic Fitting, Straight Connector
14		1	Hydraulic Hose, 30' Long
15		2	Hydraulic Fitting, Union
16		1	Hydraulic Hose, 30' Long
17		1	Hydraulic Fitting, Tee
18		2	Hydraulic Fitting, Elbow
19		1	Hydraulic Hose, 14' Long
20		1	Hydraulic Hose, 30' Long
21		2	Hydraulic Quick Disconnect
22		1	Hydraulic Hose
23		1	Hydraulic Tube



**3-POINT CORN
HYDRAULIC SYSTEM**

<u>REF NO.</u>	<u>PART NUMBER</u>	<u>NO. USED</u>	<u>PART DESCRIPTION</u>
1	8001-0173	2	Hydraulic Motor
2	6004-0220	2	Coupling
3	9001-0041	2	Torque Arm
4	9003-0112	1	Hydraulic Cylinder
5	7005-0357	1	Hydraulic Hose, 66" Long
6	7005-0358	1	Hydraulic Hose, 52" Long
7	6005-0309	1	Flow Control
8			
9	6005-0041	3	Hydraulic Fitting Bulkhead
10	6005-0161	1	Hydraulic Tube
11	6005-0205	1	Hydraulic Hose, 30" Long
12	6005-0455	1	Hydraulic Fitting Elbow, 90°
13	6005-0052	6	Hydraulic Fitting Straight Connection
14	7005-0353	1	Hydraulic Hose, 72" Long
15	6005-0777	2	Hydraulic Fitting Union
16	7005-0354	1	Hydraulic Hose, 66" long
17	6005-0037	1	Hydraulic Fitting Tee
18	6005-0628	2	Hydraulic Fitting Elbow
19	7005-0352	1	Hydraulic Hose, 19" Long
20	7005-0355	4	Hydraulic Hose, 60" Long
21	7005-0359	4	Hydraulic Quick Disconnect
22	6005-0693	2	Hydraulic Hose
23	9003-0138	2	Hydraulic Tube