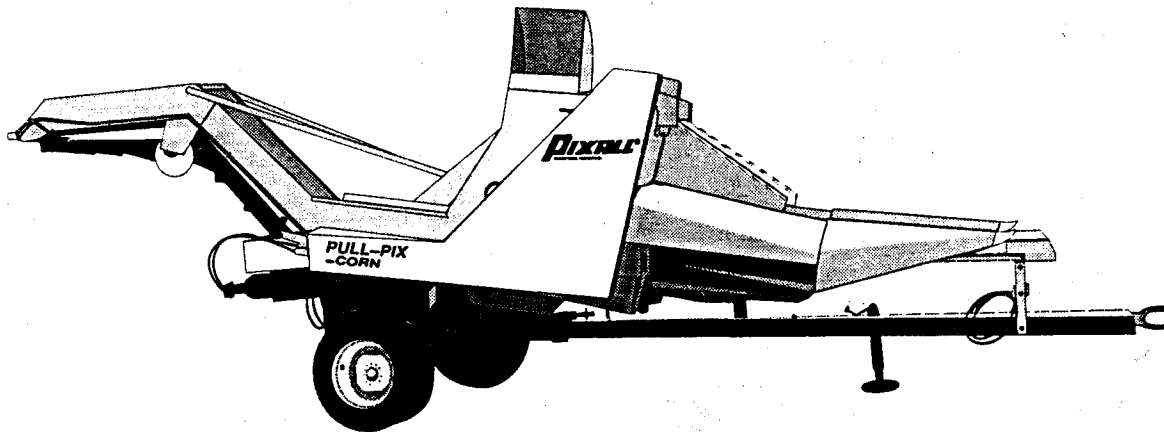


REPAIR PARTS LIST



ONE-ROW PULL-PIX™

(Swinging Elevator)

FOR CORN

EFFECTIVE: 1991

Manufactured By

Pixall Corporation

CLEAR LAKE, WISCONSIN 54005

FIGURE 1 ONE-ROW PULL-TIX FOR CORN
(Swinging Elevator)
Repair Parts List

TABLE OF CONTENTS

1. Introduction

2. Description of the Machine

3. List of Parts

4. Assembly Instructions

5. Maintenance and Troubleshooting

6. Safety Precautions

7. Appendix

8. Glossary

9. Index

5

PIXALL ONE-ROW PULL-PIX FOR CORN (Swinging Elevator) Repair Parts List

TABLE OF CONTENTS

Cleaning Fan	14
Elevator	24
Elevator Support	22
Gathering Unit	32
Gear Box	38
Header Drives	18
Hydraulic System	34
Intake Frame	10
Main Frame	2
Part Number Reference List	42
Picking Unit	28
Power Take Off	6
Safety	S1-S4
Warranty	W-1

WARRANTY PARTS RETURN POLICY

IMPORTANT!

IMPORTANT!

All returned parts must be sent prepaid to Pixall Corporation, 100 Bean Street, P.O. Box 17, Clear Lake, Wisconsin 54005-0017.

It is **MOST IMPORTANT** that each component part be accompanied by a Part Failure Report Tag. The Part Failure Report Tag is the only means by which Pixall can give its vendors the information they request for warranty consideration. Remember, every line on these tags is important information. Parts without tags or incomplete tags will not be considered for warranty purposes. Many of Pixall's vendors require that failed parts be returned within a specified time frame in order to receive warranty consideration. To be safe, return all failed component parts as soon as possible from the date of failure with Part Failure Report attached.

PIXALL'S LIMITED WARRANTY

PIXALL CORPORATION'S LIMITED WARRANTY IS AS FOLLOWS:

A. Basic Limited Warranty Coverage.

PIXALL warrants that it will repair or, at its option, replace any parts manufactured by PIXALL and found to be defective in factory material or workmanship for a period of 6 months or 500 engine hours after delivery to the original purchaser. Equipment which has been used for demonstration purposes for less than 250 hours is considered "new" for this purpose. Any parts or remanufactured assemblies furnished under this warranty are warranted against defects in material or workmanship for the longer of 90 days or expiration of the warranty on the equipment for which such parts or assemblies were supplied.

B. PIXALL's Obligations.

PIXALL will at its expense repair or, at its option, replace any parts manufactured by it and found to be defective in material or workmanship during the applicable warranty period, provided that the owner of the warranted equipment complies with the "Warranty Claims Procedure" set forth below. The equipment owner will be responsible for the expense of returning any parts to PIXALL for warranty evaluation. PIXALL will at its expense return any part repaired or replaced under this warranty to the owner of the warranted equipment, by truck, United Parcel Service or U.S. Mail, at PIXALL's option. The equipment owner will be responsible for the cost of any other method of shipment, including air freight.

C. Items not Covered.

PIXALL's limited warranty does not cover:

1. labor;
2. a mechanics travel time;
3. the cost of removal of defective parts and installation of repaired or replacement parts;
4. used equipment, unless specifically covered by a separate written warranty;
5. component parts manufactured by others, including but not limited to, bearings, gear boxes, engines, transmissions and hydraulic components (but, if new, such items are ordinarily warranted by the manufacturer thereof);
6. depreciation or damage caused by normal wear and tear, accident, abuse, improper maintenance, abnormal use, use other than in accordance with PIXALL's instructions, or improper protection in storage;
7. equipment which has been modified or altered other than with the prior written approval of PIXALL; or
8. the cost of normal maintenance or service, including but not limited to the cost of replacement oil, bearings, sprockets, ignition parts, cutting parts, belts, chains, and brake linings;
9. consequential damages (the cost of repairing or replacing other property which is damaged when the equipment does not work properly).

D. Warranty Claims Procedure.

The owner of any warranted item claimed to be defective must:

1. notify PIXALL in writing on PIXALL's Warranty Claim Report immediately upon discovery of any defect covered by this warranty;
2. provide to PIXALL contemporaneous documentary evidence of the date of delivery of the item to the original purchaser; and
3. if requested by PIXALL, ship the defective part(s) to PIXALL, freight prepaid, for inspection.

E. No Other Warranties.

PIXALL makes no warranty other than that set forth above, express or implied.

PIXALL SPECIFICALLY DISCLAIMS ANY IMPLIED WARRANTY OF MERCHANTABILITY OR FITNESS FOR PURPOSE.

PIXALL GIVES NO WARRANTY THAT THE PRODUCTS SOLD WILL BE DELIVERED FREE OF THE RIGHTFUL CLAIM OF ANY THIRD PARTY FOR INFRINGEMENT OF ANY PATENT, COPYRIGHT OR TRADEMARK OR ANY OTHER PROPRIETARY RIGHTS.

None of PIXALL's dealers is authorized to make any representation or warranty on PIXALL's behalf or in its name.

F. Obligations and Remedies are Exclusive.

PIXALL's only obligations and its customers' only remedies, in connection with the sale of PIXALL agricultural equipment, are those set forth in this warranty.

IN NO EVENT SHALL PIXALL BE RESPONSIBLE FOR ANY CONSEQUENTIAL OR INCIDENTAL DAMAGES, INCLUDING BUT NOT LIMITED TO DAMAGES FOR LOSS OF CROPS, LOSS OF PROFITS, OR RENTAL OF SUBSTITUTE EQUIPMENT, WHETHER FOR BREACH OF WARRANTY OR OTHER BREACH OF CONTRACT, NEGLIGENCE OR OTHER TORT, OR ON ANY STRICT LIABILITY THEORY.

G. Your Rights Under State Law.

This warranty gives you specific legal rights and you may have other rights which may vary from state to state.

SAFETY-ALERT SYMBOL FOR AGRICULTURAL EQUIPMENT

Proposed by the Engineering Policy Committee of Farm and Industrial Equipment Institute; approved by ASAE Power and Machinery Division Standards Committee; adopted by ASAE February 1972; reconfirmed and reclassified as a Standard, March 1977; reconfirmed December 1981; approved by ANSI as an American National Standard December 1982; reconfirmed December 1986.

SECTION 1-PURPOSE

1.1 The purpose of this Standard is to establish a Safety-Alert Symbol for use on agricultural equipment, and to provide a symbol which means **ATTENTION! BECOME ALERT! YOUR SAFETY IS INVOLVED!**

SECTION 2-SCOPE

2.1 This Standard presents the general uses, limitations on use, and appearance of the Safety-Alert Symbol.

SECTION 3-DESCRIPTION

3.1 The Safety-Alert Symbol shall be an equilateral triangle with rounded corners and with an exclamation mark located in the center as shown in Figure 1. The dimensions are optional.

3.2 The Safety-Alert Symbol should be of contrasting colors which will cause the exclamation mark to stand out.

SECTION 4-APPLICATION

4.1 The symbol should be used:

4.1.1 In conjunction with warning statements and signs.

4.1.2 In instruction manuals.

4.1.3 In connection with agricultural equipment safety standards.

4.1.4 On communications which concern agricultural equipment safety.

4.2 The symbol should *not* be used:

4.2.1 To indicate safety compliance or a safety characteristic.

4.2.2 Alone on equipment for safety purposes.

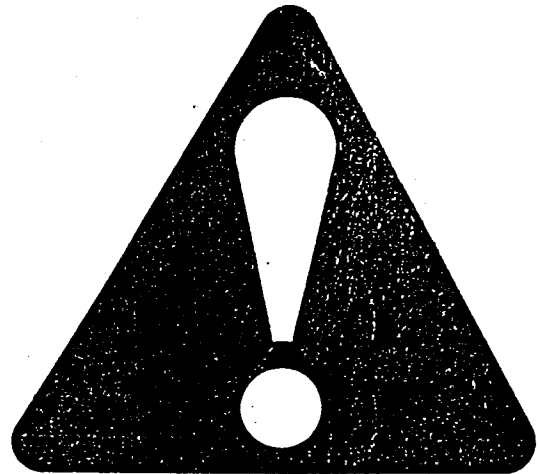


FIG. 1—SAFETY-ALERT SYMBOL



SAFETY PRECAUTIONS



Most machine accidents can be avoided by the observance of a few simple safety precautions.

1. Do not attempt to lubricate or make any adjustments while it is in motion or tractor is running.
2. Do not permit anyone to ride on harvester.
3. Be especially careful when operating on hillsides as tractor could tip sideways if it strikes a hole, ditch, or other irregularity. Keep tractor in gear when going downhill.
4. Keep all shields in place while the harvester is in operation.
5. Do not work under picking unit when it is in the raised position unless it is properly blocked.
6. Be sure tractor engine is off and parking brake is engaged before leaving the tractor control area.
7. Keep children away from and off the harvester at all times.

DECAL LOCATIONS FOR ONE-ROW PULL-PIX FOR CORN

3000-0160 CAUTION DECAL

- _____ 1 - Shield PTO end
- _____ 1 - Gear box shield
- _____ 1 - Shield gear box chain
- _____ 2 - Fan belt shield one each by wing nuts
- _____ 1 - Back side stalk rolls shield
- _____ 1 - Stalk rolls hex shaft shield
- _____ 2 - Chain drive shield
- _____ 2 - One on each dog house

3000-0188 CHAIN AND SPROCKET DECAL

- _____ 1 - Gear box shield
- _____ 1 - Gear box chain shield
- _____ 1 - Chain drive shield

3000-0189 KEEP HANDS FROM PULLEY

- _____ 2 - One on each side elevator
- _____ 2 - Fan belt shield one each by wing nut
- _____ 2 - Cross conveyor belt
- _____ 1 - Elevator hopper
- _____ 2 - Each dog house

3000-0192 FAN DISCHARGE AREA

- _____ 1 - On side of discharge hood
- _____ 1 - Back side of fan housing

3000-0186 AVOID ROTATING FAN

- _____ 3 - One on each side (front, back, side) fan housing

3000-0225 IMPORTANT HYDRAULIC OIL

- _____ 1 - On hydraulic tank

3000-0184 WARNING CLEAR OR UNPLUG STALK ROLLS

- _____ 1 - Stalk roll drive shield front

3000-0207 PULL-PIX

- _____ 2 - One each side of elevator
- _____ 1 - Chain drive shield
- _____ 1 - Back side fan housing

3000-0209 FOR CORN

- _____ 2 - One each side of elevator
- _____ 1 - Chain drive shield
- _____ 1 - Back side fan housing

3000-0200 PIXALL DECAL

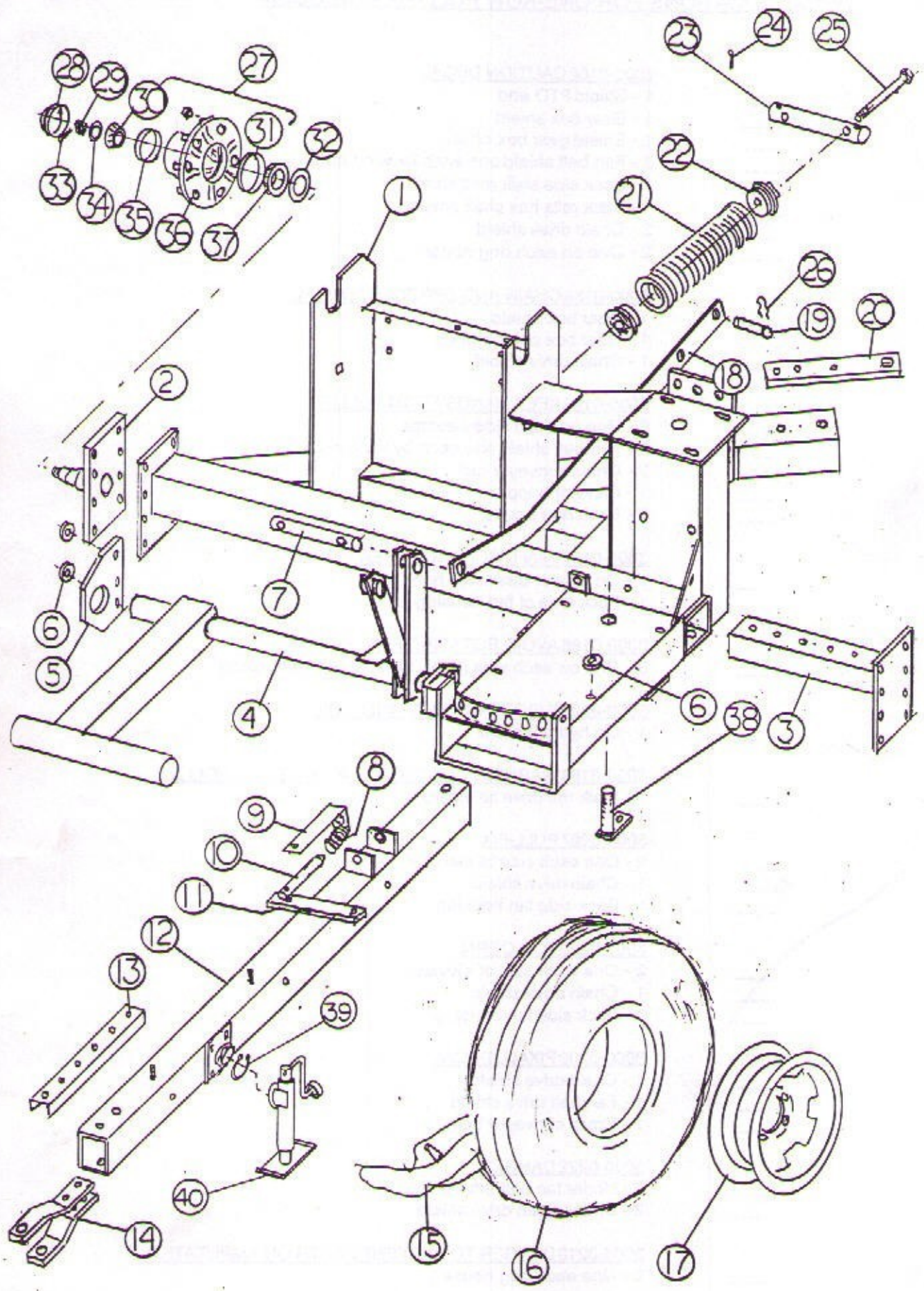
- _____ 1 - Chain drive shield
- _____ 1 - Fan belt drive shield
- _____ 1 - Cross conveyor belt

3000-0222 DANGER

- _____ 1 - Under fan belt drive shield
- _____ 2 - Under chain drive shield

3000-0210 DANGER TO PREVENT DEATH OR AMPUTATION

- _____ 2 - One each dog house



**ONE-ROW PULL-PIX FOR CORN
MAIN FRAME**

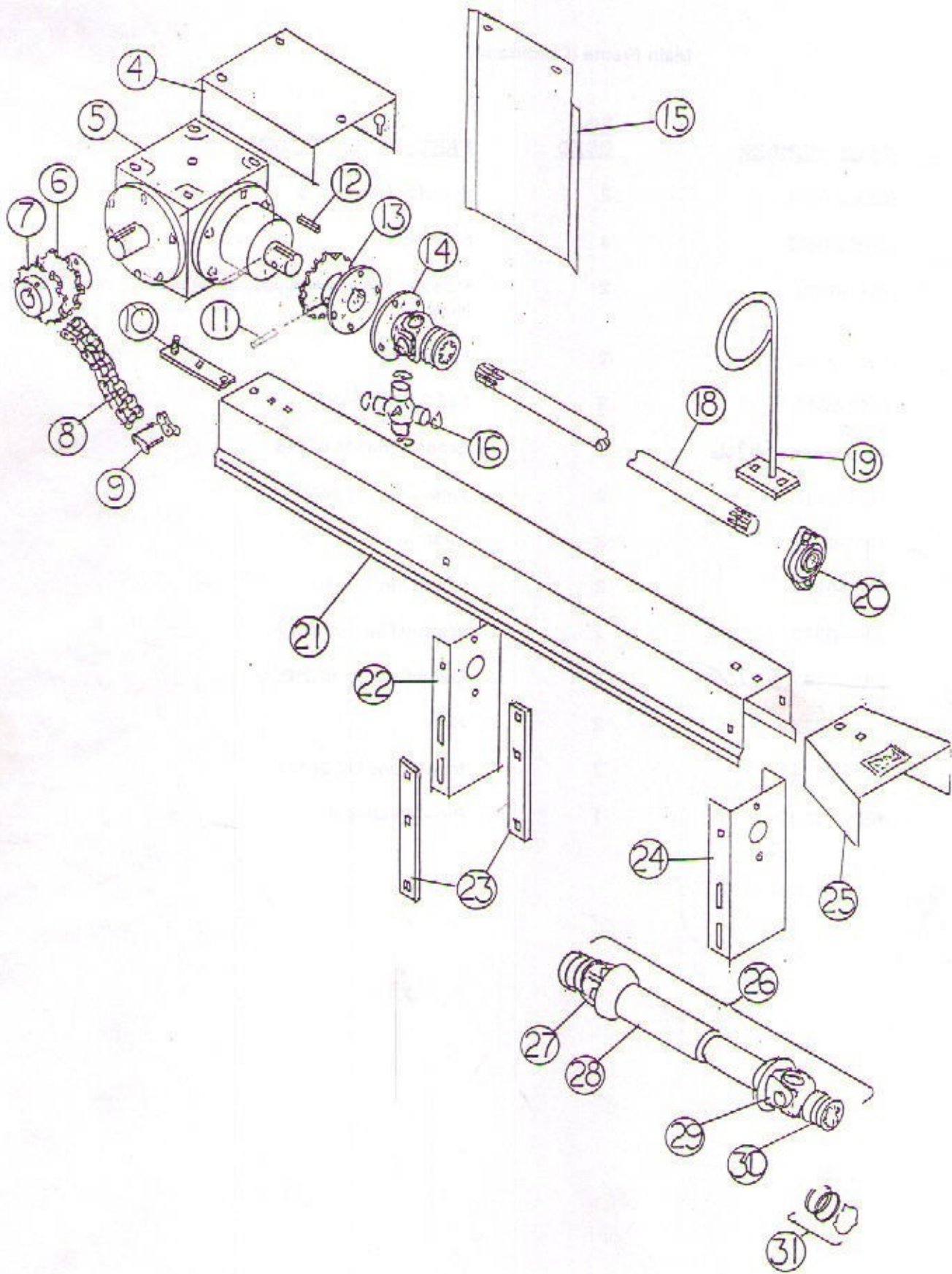
<u>REF NO.</u>	<u>PART NUMBER</u>	<u>NO. USED</u>	<u>PART DESCRIPTION</u>
1	D9001-0067	1	Main Frame
2	B3023-0002	2	Spindle Assembly
3	B3023-0003	1	Adjustable Axle
4	B9001-0098	1	Lifting Frame
5	A9001-0109	1	Lifter Eye
6	A9001-0110	6	Spacer
7	A9001-0165	1	Helper Spring Mounting
8	A1025-0008	1	Spring
9	A9001-0149	1	Spring Holder
10	A9001-0144	1	Pin
11	A9001-0148	1	Lever
12	B9001-0145	1	Tongue
13	A1002-0120	1	Tongue Extension
14	B1009-0302	2	Clevis Hitch
15	1018-0020	2	Inner Tube 11L-15
16	1018-0019	2	Tire 11L-15
17	1017-0013	2	Wheel 8 x 15 6 Bolt
18	A9001-0163	1	Lock Out Bar
19	A1006-0022	2	Pin
20	A9001-0143	1	Draw Bar
21	1025-0010	2	Spring
22	A1025-0012	4	Threaded Spring End
23	A9001-0365	1	Elevator Mounting Pin (for swinging elevator)
24	A0002-0284	2	Cotter Pin

DEPARTMENT OF AGRICULTURE
MAINE

DATE	DESCRIPTION	AMOUNT	BALANCE
1912			
Jan 1	Balance		
Jan 15	...		
Feb 1	...		
Feb 15	...		
Mar 1	...		
Mar 15	...		
Apr 1	...		
Apr 15	...		
May 1	...		
May 15	...		
Jun 1	...		
Jun 15	...		
Jul 1	...		
Jul 15	...		
Aug 1	...		
Aug 15	...		
Sep 1	...		
Sep 15	...		
Oct 1	...		
Oct 15	...		
Nov 1	...		
Nov 15	...		
Dec 1	...		
Dec 15	...		
Total			

Main Frame (Continued)

<u>REF NO.</u>	<u>PART NUMBER</u>	<u>NO. USED</u>	<u>PART DESCRIPTION</u>
25	A0002-0365	2	Bolt Hex Head $\frac{3}{4}$ x 6
26	A0002-0467	4	Hair Pin
27	1011-0030	2	Hub Assembly with Cups, Studs, and Nuts
28	1011-0031	2	Hub Cap
29	0002-0347	2	Nut Spindle $\frac{3}{4}$ -NF
30	1015-0106 50206	2	Outer Cone LM 67048
31	1015-0107	2	Inner Cup LM 29710
32	1015-0105	2	Seal
33	0002-0279	2	Cotter Pin $\frac{3}{16}$ x $1\frac{1}{2}$
34	0002-0348	2	Washer Flat Spindle $\frac{3}{4}$
35	1015-0103 50205	2	Outer Cup LM 67010
36	1011-0032	2	Hub
37	1015-0104	2	Inner Cone LM 29749
38	A9001-0302	1	Pin - Weldment

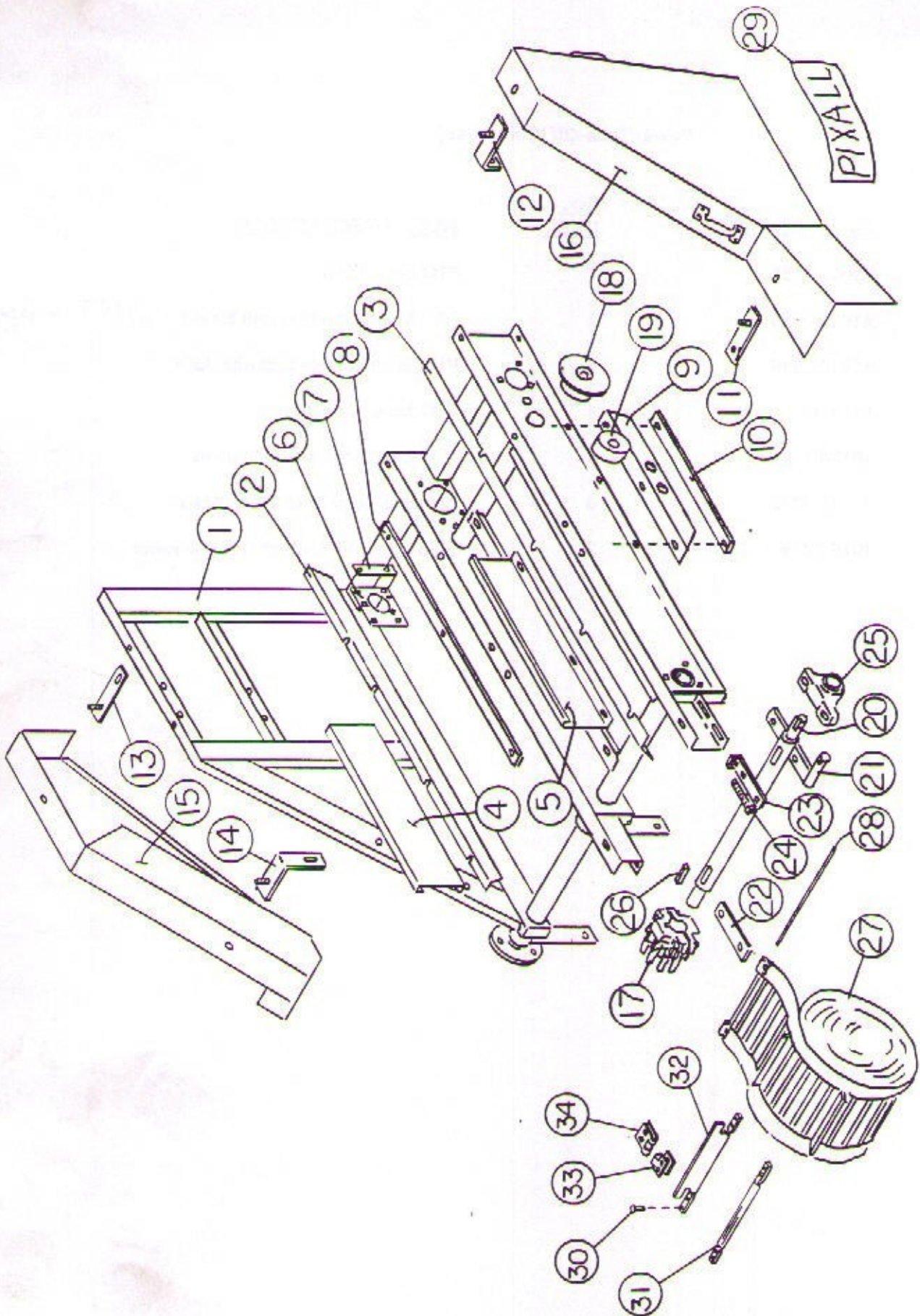


POWER TAKE-OFF

<u>REF NO.</u>	<u>PART NUMBER</u>	<u>NO. USED</u>	<u>PART DESCRIPTION</u>
1			
2			
3			
4	B9001-0152	1	PTO Shield - Gear Box
5	A9001-0087	1	Gear Box
6	A1019-0466	1	Chain Coupling Sprocket RC50-16
7	A1019-0338	1	Chain Coupling Sprocket RC50-16
8	1019-0119	1	Coupling Chain RC502 x 16P
9	1019-0118	1	Connector Link RC50-2
10	A9001-0212	1	Pivot Bracket
11	0002-0301	1	Roll Pin $\frac{3}{8} \times 3\frac{1}{2}$
12	1006-0159	2	Key $\frac{5}{16} \times 1\frac{1}{2}$
13	A1019-0458	1	PTO Sprocket RC50-24T
14	A9001-0137	1	Ballsnap Hitch Yoke
15	A9001-0207	1	Gear Box Side Shield
16	1015-0024	3	Universal Joint Cross Kit 51357
17			
18	A9001-0138	1	PTO Shaft
19	A9001-0153	1	Hanger-Hydraulic Hose Bracket
20	1015-0077	2	Bearing $1\frac{3}{8}$ -2 Bolt
21	B9001-0150	1	PTO Shield
22	B9001-0141	1	Hanger Channel - Rear
23	A9001-0139	4	Flat
24	B9001-0140	1	Hanger Channel - Front

Power Take-Off (Continued)

<u>REF NO.</u>	<u>PART NUMBER</u>	<u>NO. USED</u>	<u>PART DESCRIPTION</u>
25	B9001-0151	1	PTO Shield End
26	A1022-0035	1	PTO Shaft Assembly with Shield <i>S1357 U-JOINT</i>
27	A1019-0219	1	PTO Shaft Female End with Joint
28	1019-0217	1	PTO Shield (Plastic)
29	1019-0218	1	PTO Shaft Male End with Joint
30	A1019-0215	3	Universal Joint Snap Hitch Yoke
31	1019-0216	2	Shield Kit with Bearing Thrust Washer



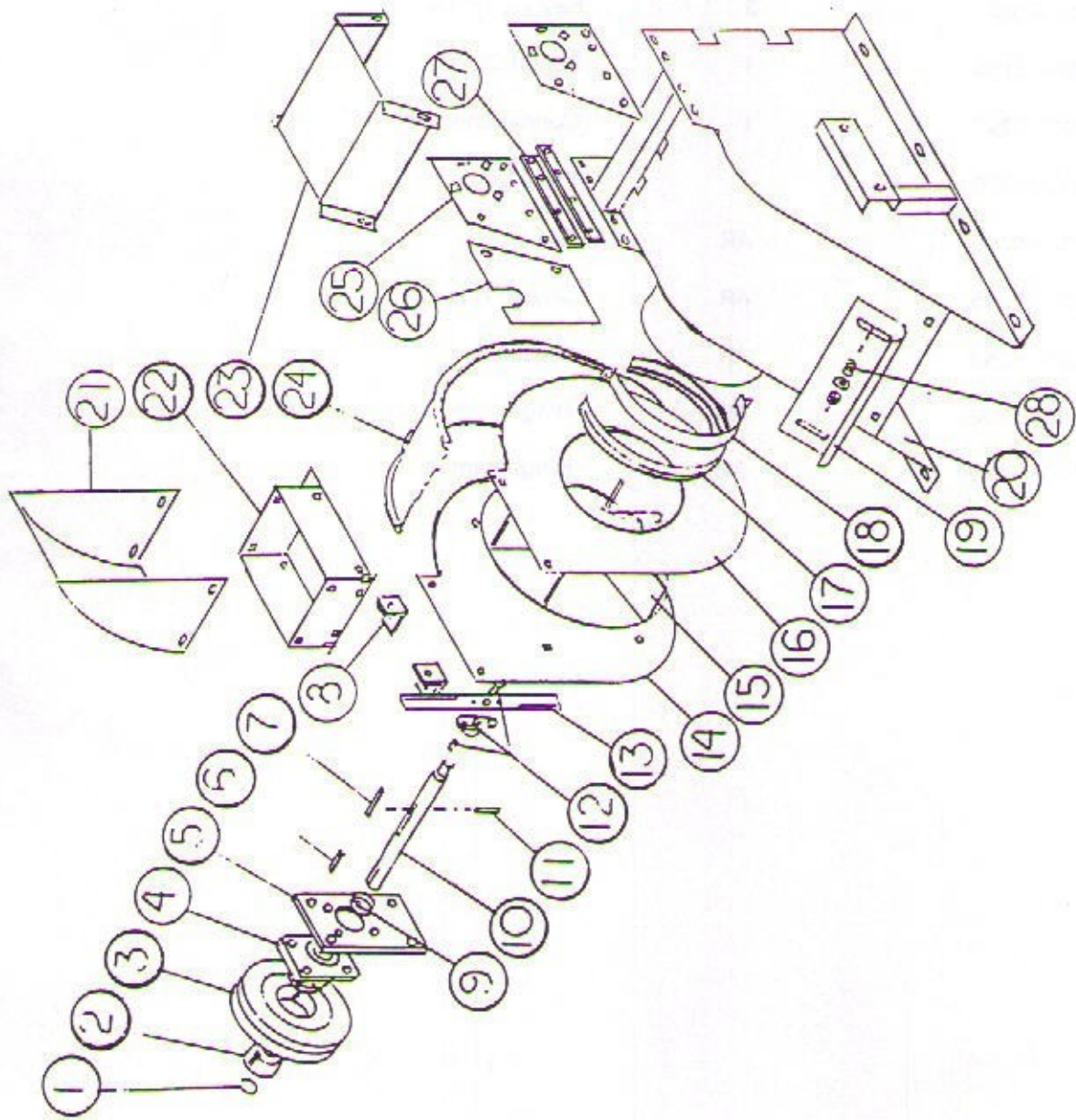
INTAKE FRAME

<u>REF NO.</u>	<u>PART NUMBER</u>	<u>NO. USED</u>	<u>PART DESCRIPTION</u>
1	D9001-0050	1	Intake Frame Weldment
2	B9001-0105	1	Belt Sealer Strip, L.H.
3	B9001-0106	1	Belt Sealer Strip, R.H.
4	B9001-0097	1	Corn Shield, L.H.
5	B9001-0096	1	Corn Shield, R.H.
6	A9001-0132	1	Bearing Plate
7	A9001-0133	2	Spacer Flat
8	A9001-0318	2	Wood Runner Strip
9	A9001-0198	2	Back-Up Angle
10	A1027-0032	2	Plastic Wear Strip
11	A9001-0225	1	Shield Mounting
12	A9001-0226	1	Shield Mounting
13	A9001-0196	1	Shield Mounting
14	A9001-0194	1	Shield Mounting
15	C9001-0218	1	Shield - V-Belt drive
16	C9001-0214	1	Shield - Chain Drive
17	A9001-0184	2	Sprocket-14 Tooth Cast Driver
18	A9001-0183	2	Flanged Roller Idler
19	A1027-0010	2	Plastic Idler
20	A9001-0130	1	Shaft-Drive End
21	A9001-0235	1	Bearing Spacer-Hydraulic Motor
22	A9001-0234	1	Bearing Spacer
23	A9001-0095	2	Take-Up Bracket
24	A0002-0270	2	Take-Up Bolt $\frac{1}{2}$ -13 NC.

DATE	DESCRIPTION	AMOUNT	BALANCE
1/1	Balance		100.00
1/15	Deposited	50.00	150.00
1/20	Withdrawal	20.00	130.00
1/25	Deposited	30.00	160.00
2/1	Withdrawal	10.00	150.00
2/10	Deposited	40.00	190.00
2/15	Withdrawal	15.00	175.00
2/20	Deposited	25.00	200.00
2/25	Withdrawal	10.00	190.00
3/1	Deposited	35.00	225.00
3/10	Withdrawal	20.00	205.00
3/15	Deposited	15.00	220.00
3/20	Withdrawal	10.00	210.00
3/25	Deposited	30.00	240.00
4/1	Withdrawal	15.00	225.00
4/10	Deposited	25.00	250.00
4/15	Withdrawal	10.00	240.00
4/20	Deposited	15.00	255.00
4/25	Withdrawal	10.00	245.00
5/1	Deposited	20.00	265.00
5/10	Withdrawal	15.00	250.00
5/15	Deposited	10.00	260.00
5/20	Withdrawal	10.00	250.00
5/25	Deposited	15.00	265.00
6/1	Withdrawal	10.00	255.00
6/10	Deposited	10.00	265.00
6/15	Withdrawal	10.00	255.00
6/20	Deposited	10.00	265.00
6/25	Withdrawal	10.00	255.00
7/1	Deposited	10.00	265.00
7/10	Withdrawal	10.00	255.00
7/15	Deposited	10.00	265.00
7/20	Withdrawal	10.00	255.00
7/25	Deposited	10.00	265.00
8/1	Withdrawal	10.00	255.00
8/10	Deposited	10.00	265.00
8/15	Withdrawal	10.00	255.00
8/20	Deposited	10.00	265.00
8/25	Withdrawal	10.00	255.00
9/1	Deposited	10.00	265.00
9/10	Withdrawal	10.00	255.00
9/15	Deposited	10.00	265.00
9/20	Withdrawal	10.00	255.00
9/25	Deposited	10.00	265.00
10/1	Withdrawal	10.00	255.00
10/10	Deposited	10.00	265.00
10/15	Withdrawal	10.00	255.00
10/20	Deposited	10.00	265.00
10/25	Withdrawal	10.00	255.00
11/1	Deposited	10.00	265.00
11/10	Withdrawal	10.00	255.00
11/15	Deposited	10.00	265.00
11/20	Withdrawal	10.00	255.00
11/25	Deposited	10.00	265.00
12/1	Withdrawal	10.00	255.00
12/10	Deposited	10.00	265.00
12/15	Withdrawal	10.00	255.00
12/20	Deposited	10.00	265.00
12/25	Withdrawal	10.00	255.00
1/1/51	Balance		255.00

Intake Frame (Continued)

<u>REF NO.</u>	<u>PART NUMBER</u>	<u>NO. USED</u>	<u>PART DESCRIPTION</u>
25	1015-0078	2	Bearing 1" Diameter Pillow Block
26	1006-0093	3	Key $\frac{1}{4}$ x $1\frac{1}{2}$ " Long
27	A9001-0185	1	Belted Chain
28	A9001-0297	1	Connecting Rod
29	A3000-0200	1	Pixall Decal
30	A9001-0300	AR	Rivet
31	A9001-0295	AR	Coated Rod
32	A9001-0296	AR	Cross Slat
33	A9001-0298	AR	Hinge Male
34	A9001-0299	AR	Hinge Female

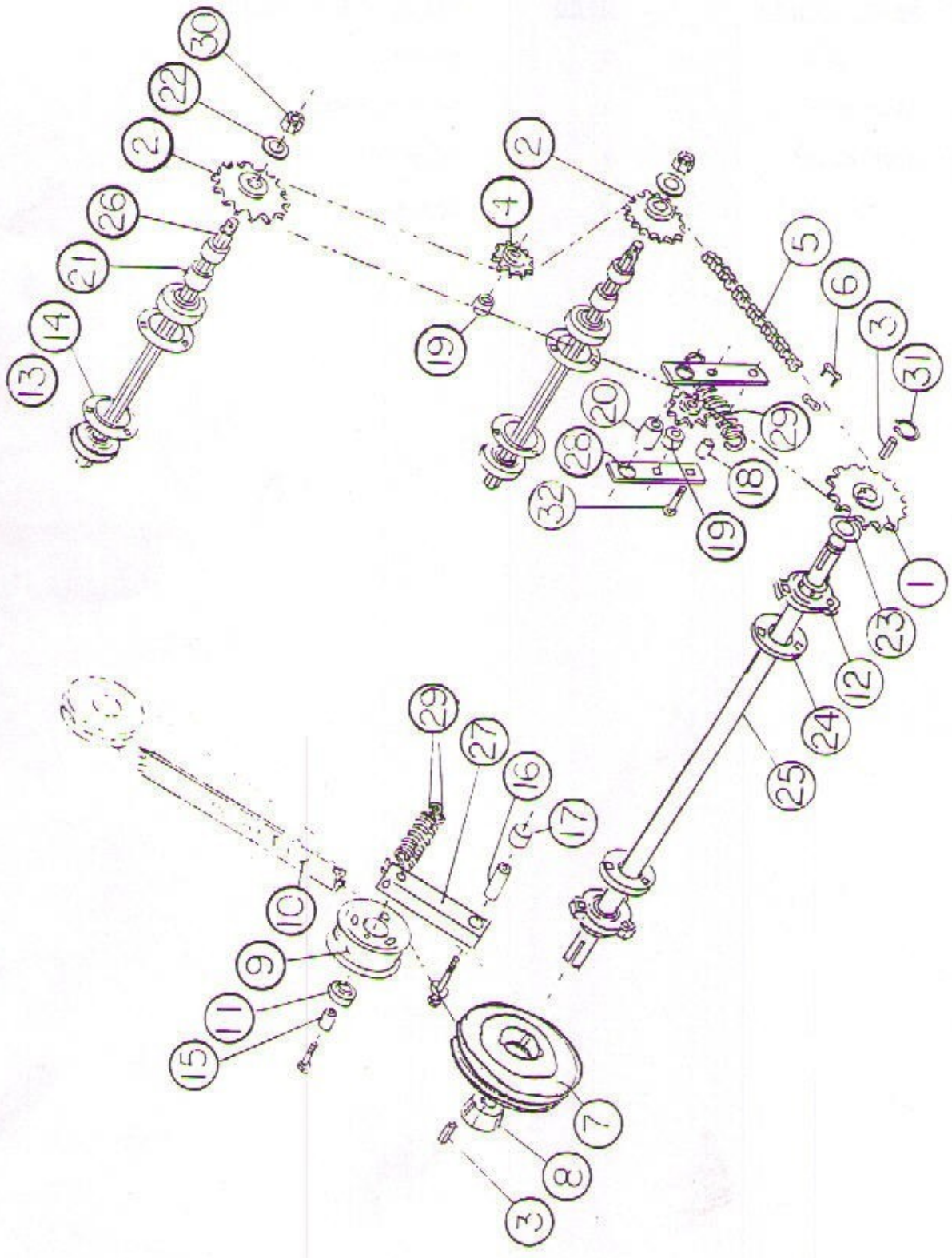


CLEANING FAN

<u>REF NO.</u>	<u>PART NUMBER</u>	<u>NO. USED</u>	<u>PART DESCRIPTION</u>
1	A1016-0013	1	Lock Ring 1 $\frac{1}{4}$ "
2	A0001-0124 53132	1	Taper Lock Hub 1 $\frac{1}{4}$ "
3	A6003-0241	1	V-Pulley 9"
4	1015-0050	2	Type E Bearing 1 $\frac{1}{4}$ "
5	A1010-0074	1	Fan Mounting Plate
6	1006-0093	1	Key $\frac{1}{4}$ " x 1 $\frac{1}{2}$ "
7	1006-0095	1	Key $\frac{1}{4}$ " x 3"
8	A9001-0107	4	Fan Hanger
9	A1003-0025	1	Spacer
10	A9001-0108	1	Fan Shaft
11	A0002-0292	1	Roll Pin $\frac{1}{4}$ " x 2
12	A9001-0264	1	Hub Kit
13	A9001-0263	1	Fan Stalk Balde
14	D3002-0060	1	Fan End Plate
15	B3002-0066	1	Fan Rotor
16	D3002-0061	1	Fan End Plate (Eye)
17	A1021-0075	1	Rubber Flange 65" Long
18	B1004-0004	2	Band
19	A9001-0094	1	Duct Gate
20	C9001-0092	1	Duct
21	B9001-0308	1	Discharge Hood
22	B9001-0305	1	Fan Frame
23	B9001-0223	1	Shield
24	B3002-0062	1	Fan Housing

Cleaning Fan (Continued)

<u>REF NO.</u>	<u>PART NUMBER</u>	<u>NO. USED</u>	<u>PART DESCRIPTION</u>
25	A9001-0224	2	Bearing Flat
26	A9001-0326	2	Shipping Bracket
27	A9001-0222	2	Spacer Flat
28	A1025-0004	2	Spring

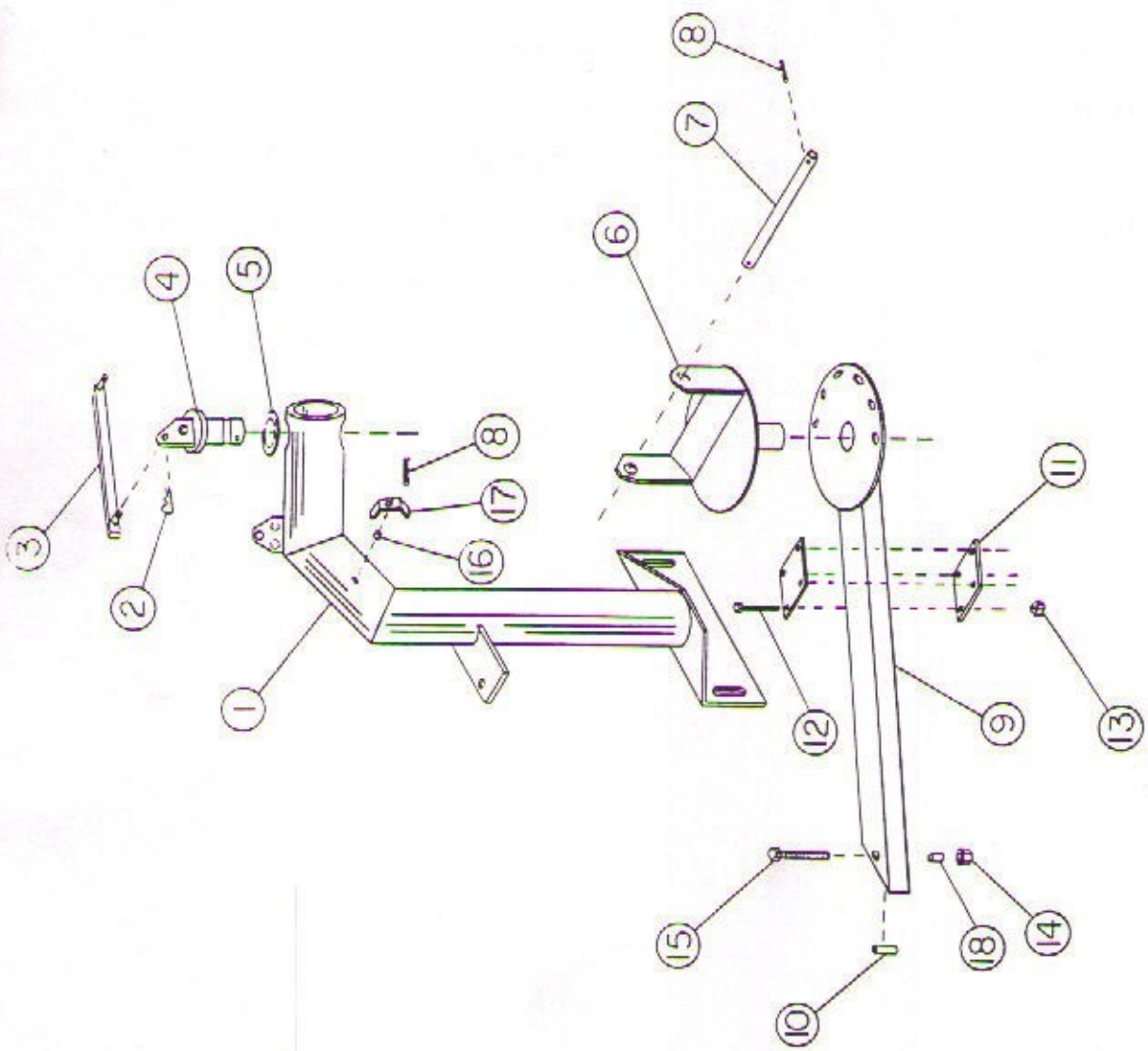


HEADER DRIVES

<u>REF NO.</u>	<u>PART NUMBER</u>	<u>NO. USED</u>	<u>PART DESCRIPTION</u>
1	A1019-0146	1	Sprocket RC60-18T x 1 $\frac{1}{4}$ " Bore
2	A1019-0464	2	Sprocket RC60-22T Hex Bore
3	1006-0093	2	Key $\frac{1}{4}$ x 1 $\frac{1}{2}$ " Long
4	A1019-0376	2	Sprocket Idler RC60-20T
5	1019-0460	1	Roller Chain RC60-286 Pitches
6	A1021-0041	1	Connector Ling RC60
7	A1020-0077	1	V Pulley-2 Groove B-12
8	A0001-0124 53132	1	Tapor Lock Hub-1 $\frac{1}{4}$ " Bore
9	B1008-0013	1	Pulley-Idler
10	A1021-0167	1	V-Belt Power Band
11	A1015-0025	2	Ball Bearing-1" Diameter
12	A1015-0142	2	Ball Bearing 3 Bolt x 1 $\frac{1}{4}$ " Diameter
13	A1015-0166	4	Ball Bearing 1 $\frac{1}{8}$ " Hex Bore
14	A1015-0167	8	Flangette
15	A7003-0188	1	Bushing
16	A9001-0312	1	Bushing
17	A6003-0229	1	Spacer
18	A6001-0689	1	Spacer
19	A9001-0171	2	Bushing
20	A9001-0172	1	Bushing
21	A9001-0142	2	Spacer
22	A0002-0455	2	Washer - $\frac{3}{4}$ "
23	0002-0438	AR	Washer - 1 $\frac{1}{4}$ "
24	A9001-0186	2	Bearing Spacer

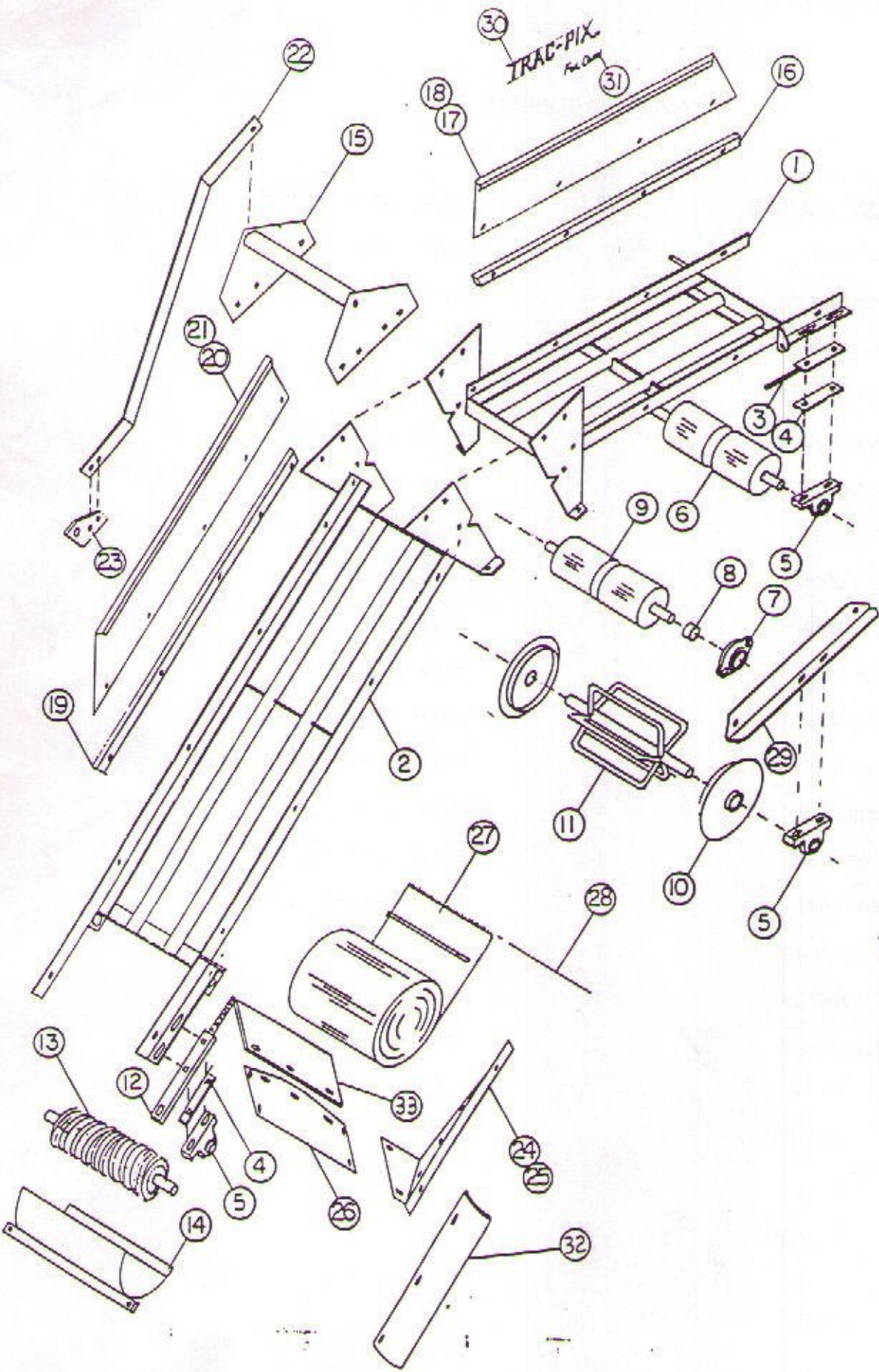
Header Drives (Continued)

<u>REF NO.</u>	<u>PART NUMBER</u>	<u>NO. USED</u>	<u>PART DESCRIPTION</u>
25	A9001-0124	1	Counter Shaft
26	A9001-0127	2	Hex Shaft
27	A9001-0311	1	Tightener Arm
28	A9001-0170	2	Tightener Flat
29	A1025-0013	3	Spring
30	E0002-0600	2	Castle Nut $\frac{3}{4}$ -10 NC.
31	A1016-0013	1	Snap Ring - $1\frac{1}{4}$ "
32		2	Plow Bolt $\frac{1}{2}$ -13 NC. x $2\frac{1}{2}$ " Long



ELEVATOR SUPPORT

<u>REF NO.</u>	<u>PART NUMBER</u>	<u>NO. USED</u>	<u>PART DESCRIPTION</u>
1	9001-0336	1	Elevator Hanger
2	6003-0231	2	Hair Pin
3	9003-0121	1	Lock Out
4	9001-0351	1	Sun Dial
5	9001-0353	1	Washer 2" I.D. x 3" O.D.
6	9001-0347	1	Elevator Yoke
7	9003-0120	1	Elevator Mount Tube
8	0002-0295	3	Pin Roll $\frac{5}{16}$ x $2\frac{1}{2}$
9	9001-0344	1	Weldment Support Tube
10	9001-0366	1	Spacer
11	9001-0355	2	Junction Plate
12	0002-0157	4	Bolt Hex Head $\frac{1}{2}$ x 9
13	0002-0250	4	Nut Small Ser Fig $\frac{1}{2}$ "
14	0002-0251	1	Nut Small Ser Fig $\frac{5}{8}$ "
15	0002-0661	1	Bolt Hex Head $\frac{5}{8}$ " x $7\frac{1}{2}$ "
16	A7007-0316	1	Bushing
17	A1009-0249	1	Hose Clamp
18	A9001-0356	1	Spacer $\frac{3}{4}$ "



ELEVATOR

<u>REF NO.</u>	<u>PART NUMBER</u>	<u>NO. USED</u>	<u>PART DESCRIPTION</u>
1	D9001-0357	1	Elevator Frame (Upper)
2	D9001-0002	2	Elevator Frame (Lower)
3	A3014-0014	2	Tightener
4	A9001-0031	4	Shim
5	1015-0078	6	Pillow Block Bearing 1" Bore
6	A9003-0165	1	Drive Roller
7	1015-0108	2	Bearing, 1" 2-Bolt
8	1003-0066	4	Spacer, 1" Long
9	A9003-0166	1	Idler Roller
10	B9001-0202	2	Idler Wheel
11	B9001-0037	1	Paddle Wheel
12	A9001-00291	2	Tightener
13	A9001-0046	1	Auger Roller
14	A9001-0332	1	Pan Elevator
15	A9001-0199	1	Cross Bar
16	9001-0364	2	Oak Strip Belt Guide
17	9001-0027	1	Elevator Side, L.H.
18	9001-0028	1	Elevator Side, R.H.
19	A9001-0034	2	Oak Strip Belt Guide
20	9001-0363	1	Elevator Side, L.H.
21	B9003-0152	1	Elevator Side, R.H.
22	A9003-0119	2	Hanger Flat
23	A9003-0113	1	Cylinder Bracket
24	A9003-0130	1	Hopper Side, L.H.

Elevator (Continued)

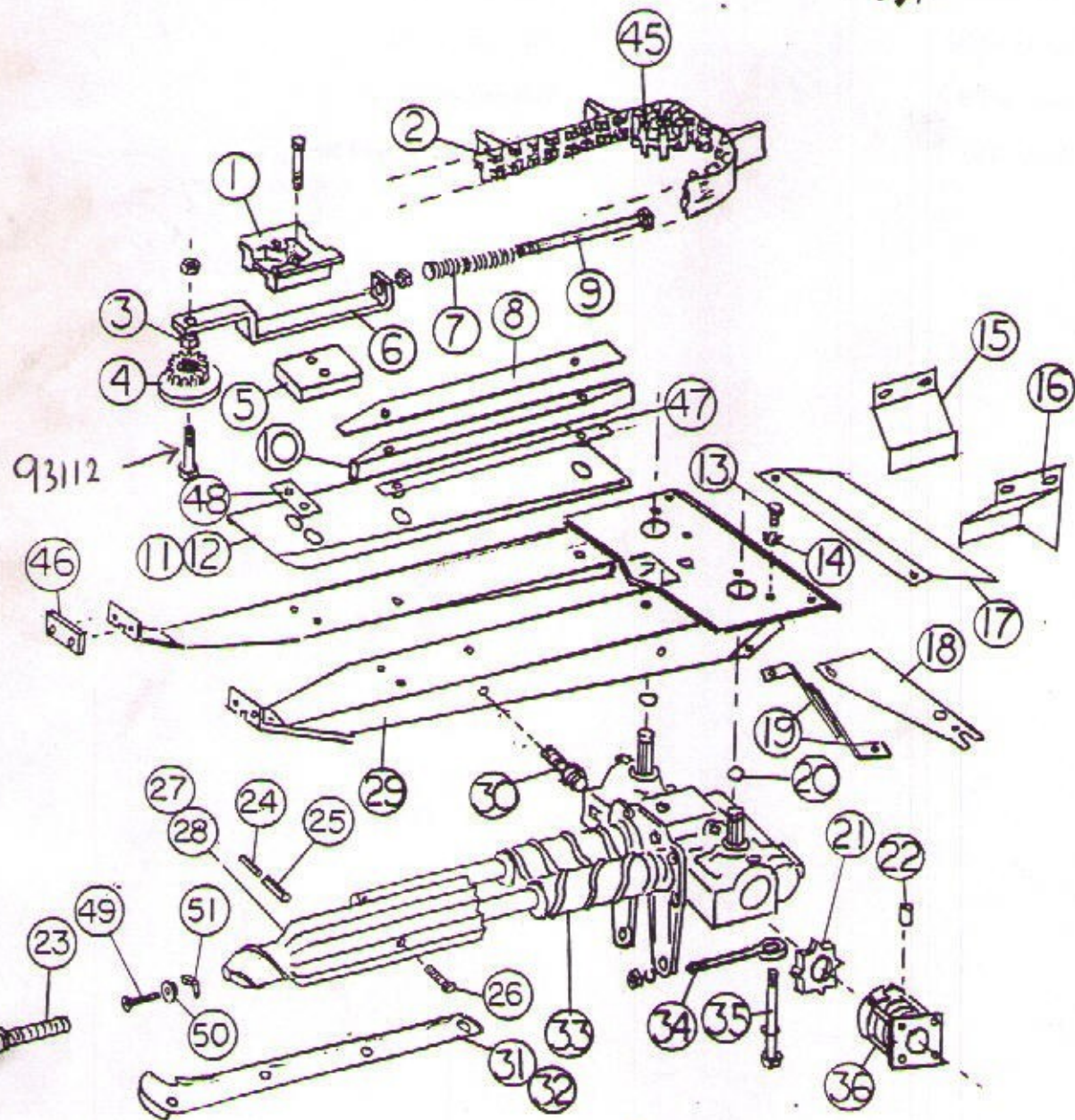
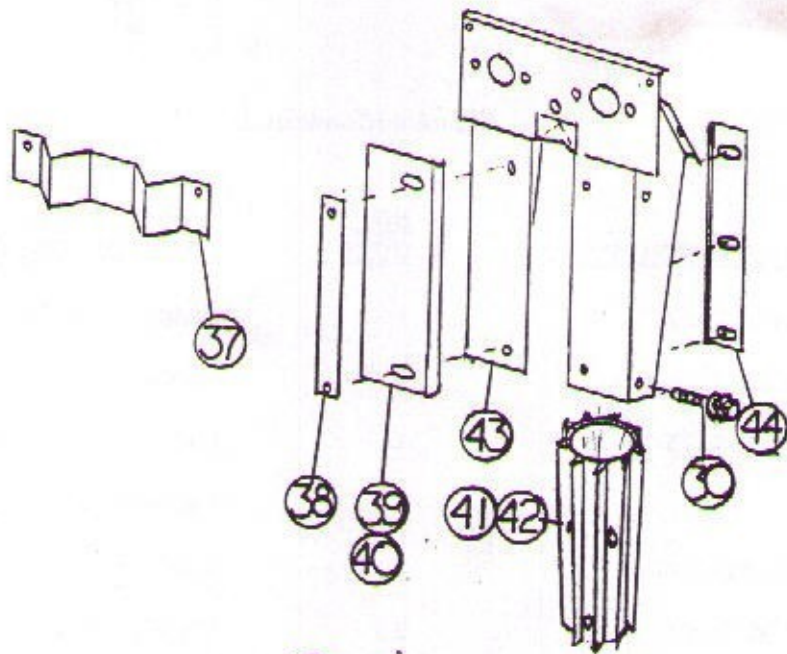
<u>REF</u> <u>NO.</u>	<u>PART NUMBER</u>	<u>NO.</u> <u>USED</u>	<u>PART DESCRIPTION</u>
25	9001-0333	1	Hopper Side, R.H.
26	9001-0335	1	Hopper Back
27	1021-0173	1	Belt
28		1	Lacing Wire
29	A9003-0168	2	Cross Angle
30	3000-0207	2	"Pull-Pix" Decal
31	A3000-0209	2	"for Corn" Decal
32	9003-0186	1	Rubber Belt Elevator Side
33	9003-0187	1	Rubber Belt Hopper Boot

PLASTIC WEAR PLATES

UNDER STOP PLATES:

7007-0660

7007-0661

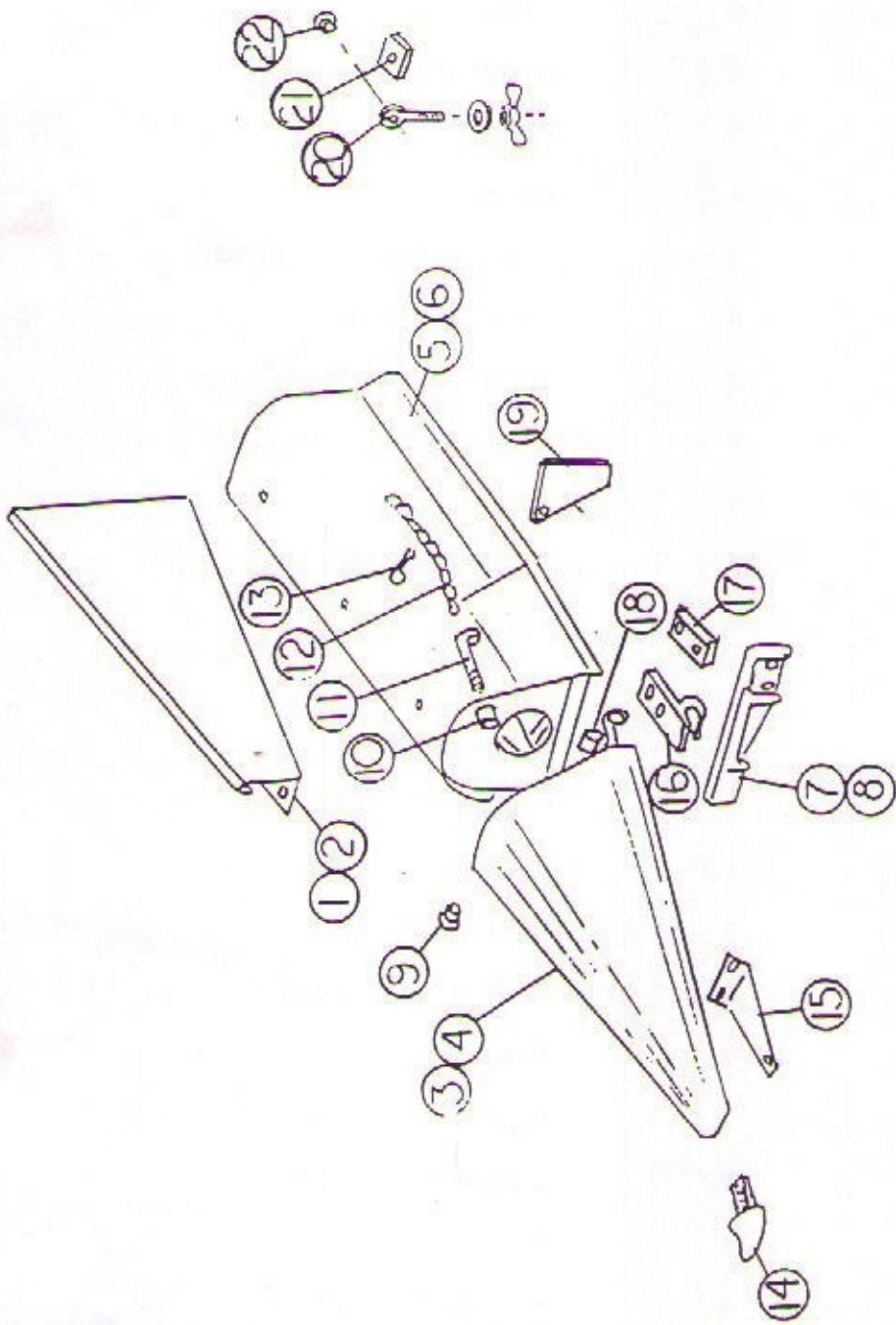


PICKING UNIT

<u>REF NO.</u>	<u>PART NUMBER</u>	<u>NO. USED</u>	<u>PART DESCRIPTION</u>
1	A7007-0202	2	Support
2	B7007-0265	2	Gathering Belt-Rubber
3	A7007-0268	2	Spacer
4	A7007-0255	2	Idler Pulley with Bearings
5	A7007-0551	2	Spacer-Aluminum
6	A7007-0257	2	Take-Up Strap
7	A7007-0208	2	Spring
8	A7007-0093	2	Wear Strip Cover
9	0002-0603	2	Bolt $\frac{5}{8}$ -11 x 12 $\frac{1}{2}$ Long
10	B1027-0040	2	Wear Strip
11	C7007-0325	1	Stop Plate, L.H.
12	C7007-0326	1	Stop Plate, R.H.
13	E0002-0604	8	Screw Socket Hd.
14	E0002-0607	8	Lock Washer
15	A9001-0188	1	Cover, R.H.
16	A9001-0189	1	Cover, L.H.
17	A9001-0229	1	Deflector
18	A9001-0192	2	Shield Mounting Flat
19	A9001-0193	4	Brace
20	E0002-0605	2	Lock Ring 1 $\frac{1}{8}$ "
21	A7007-0251	2	Quick Coupling
22	A7007-0316	4	Bushing
23	A7007-0267	AR	Puller
24	E0002-0295	4	Roll Pin
25	E0002-0558	4	Roll Pin
26	0002-0318	8	Bolt Socket Head $\frac{7}{16}$ -14 x 1 $\frac{3}{4}$ Long

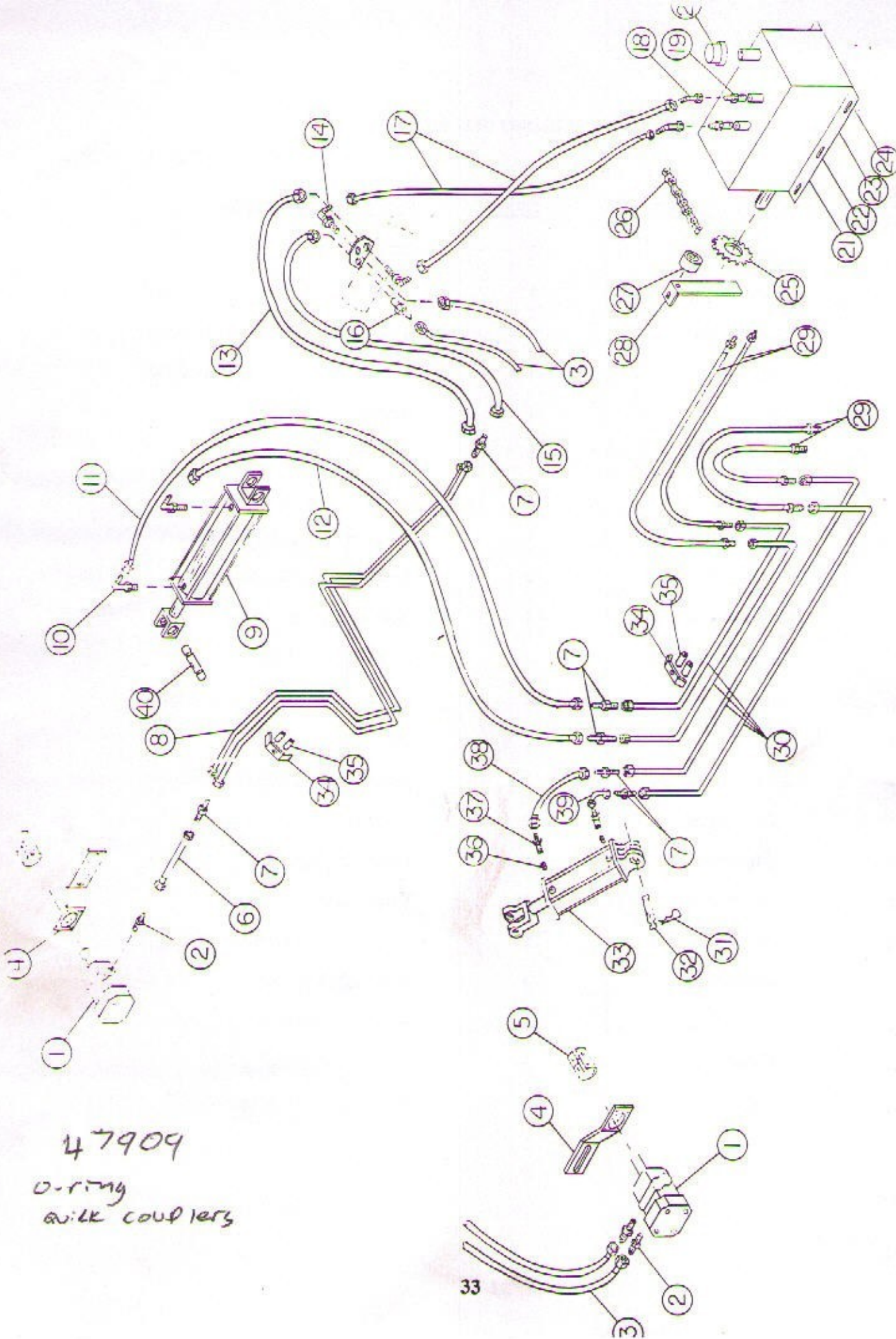
Picking Unit (Continued)

<u>REF NO.</u>	<u>PART NUMBER</u>	<u>NO. USED</u>	<u>PART DESCRIPTION</u>
27	B7007-0284	1	Knife Roll, R.H.
28	B7007-0283	1	Knife Roll, L.H.
29	D7007-0198	1	Frame
30	A9001-0187	8	Adjusting Screw
31	A7007-0200	1	Weed Knife, L.H.
32	A7007-0201	1	Weed Knife, R.H.
33	A7007-0249	2	Gear Box Assembly
34	A7007-0216	4	Eye Bolt
35	E0002-0182	4	Bolt Hex Head $\frac{5}{8}$ -11 x $5\frac{1}{2}$ Long
36	A7007-0250	2	Coupler Assembly
37	B9001-0268	1	Guard
38	A9001-0174	2	Back-Up Strip
39	C9001-0182	1	Stop Plate, R.H.
40	C9001-0181	1	Stop Plate, L.H.
41	D9001-0278	1	Stalk Roll, R.H.
42	D9001-0279	1	Stalk Roll, L.H.
43	D9001-0175	1	Fork Frame
44	B9001-0277	2	Weed Knife
45	A7007-0266	2	Drive Sprocket 6 Tooth
46	A9001-0282	2	Spacer
47	A7007-0387	2	Support Shim - Long
48	A7007-0386	2	Support Shim - Short
49	A7007-0653	4	Plug
50	A0002-0697	4	Flat Head Bolt $\frac{1}{4}$ -20 x $2\frac{1}{2}$
51	A0002-0698	4	Toggle

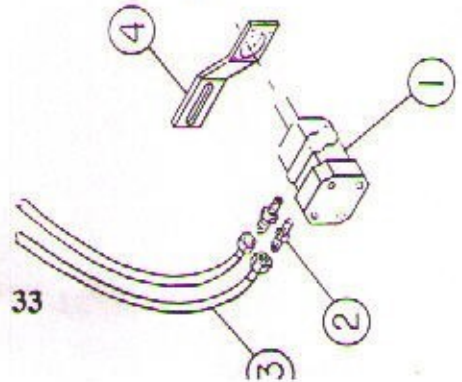


GATHERING UNIT (R.H. SHOWN)

<u>REF NO.</u>	<u>PART NUMBER</u>	<u>NO. USED</u>	<u>PART DESCRIPTION</u>
1	C9001-0259	1	Gather Wing, L.H.
2	C9001-0260	1	Gather Wing, R.H.
3	A7007-0131	1	Gather Point, L.H.,
4	A7007-0130	1	Gather Point, R.H.,
5	D9001-0240	1	Gather, R.H.
6	D9001-0241	1	Gather, L.H.
7	A7007-0143	1	Hinge, L.H.,
8	A7007-0144	1	Hinge, R.H.,
9	A7007-0136	2	Bushing,
10	A7007-0178	2	Spacer,
11	A7007-0139	2	Rod,
12	A7007-0140	2	Link Chain, 9 Links,
13	E0002-0408	2	Spring Pin
14	A7007-0132	2	Shoe,
15	A7007-0135	2	Skid Plate,
16	A7007-0145	4	Hook,
17	A7007-0275	4	Riser Block
18	A7007-0137	2	Spacer,
19	A7007-0146	2	Gate,
20	A7007-0152	2	Eye Bolt,
21	A7007-0153	2	Pad,
22	A7007-0309	2	Bushing,



47909
 O-ring
 quick couplers

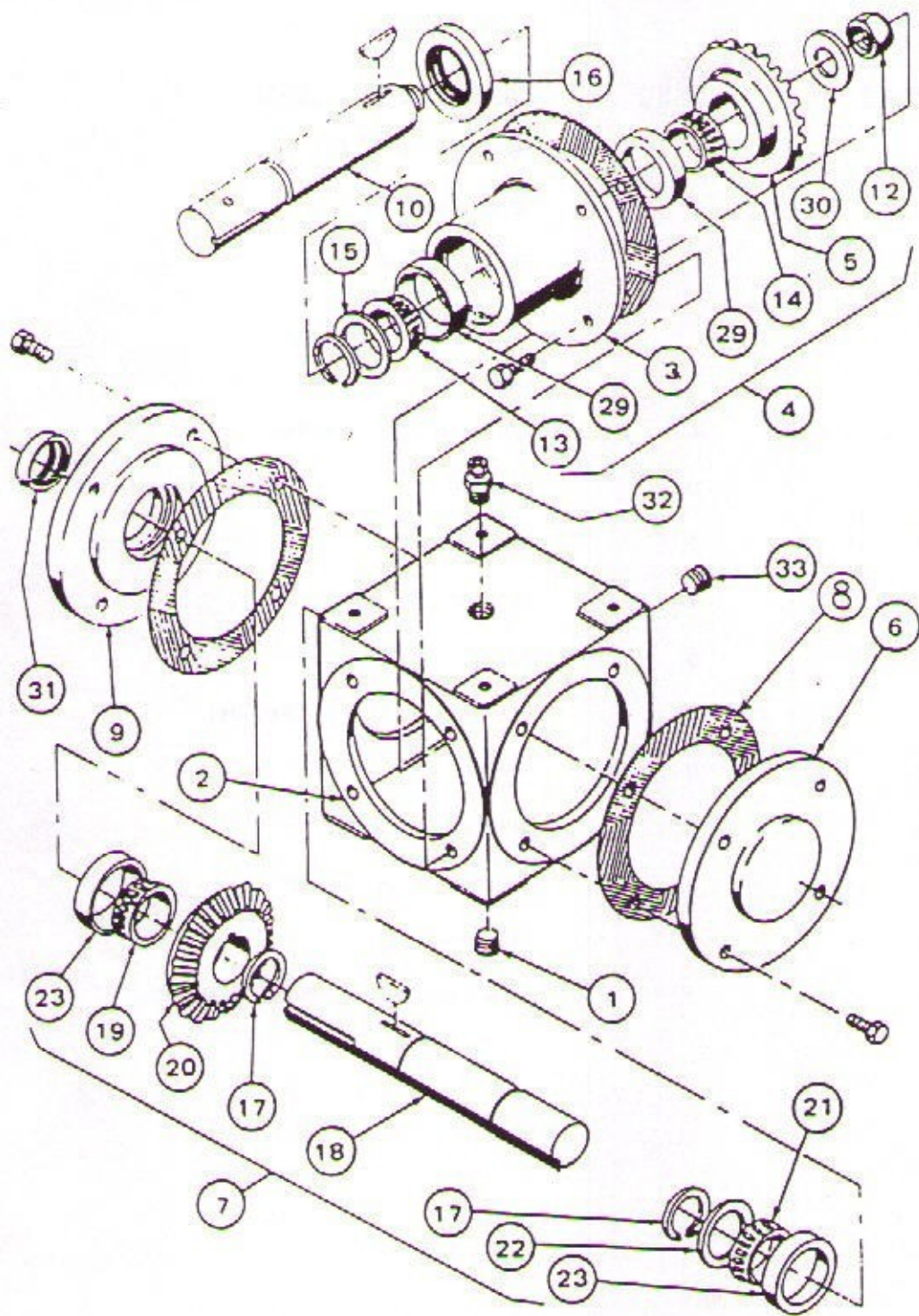


HYDRAULIC SYSTEM

<u>REF NO.</u>	<u>PART NUMBER</u>	<u>NO. USED</u>	<u>PART DESCRIPTION</u>
1	A8001-0173	2	Hydraulic Motor <i>SEAL KIT 404729</i>
2	A6005-0718	2	Hydraulic Fitting
3	A6005-0204	4	Hydraulic Hose
4	A9001-0041	2	Torque Arm
5	A6004-0220	2	Coupling
6	A6005-0204	2	Hydraulic Hose
7	A6005-0777	4	Hydraulic Fitting Union
8	A7005-0377	2	Hydraulic Tube
9	9003-0112	1	Hydraulic Cylinder <i>SEAL KIT 48512</i>
10	A6005-0718	2	Hydraulic Fitting Elbow
11	A7005-0379	1	Hydraulic Hose
12	A7005-0378	1	Hydraulic Hose
13	A6005-0202	1	Hydraulic Hose
14	A6005-0043	2	Hydraulic Fitting Bulkhead
15	A6005-0206	1	Hydraulic Hose
16	A6005-0041	1	Hydraulic Fitting Bulkhead
17	A6005-0792	2	Hydraulic Hose
18	A6005-0455	2	Hydraulic Fitting Swivel Elbow
19	A6005-0053	2	Hydraulic Fitting Straight Connection
20		1	Dust Cap
21	A9001-0117	1	Pump Unit
22	A4500-0101	AR	Seal Kit for Pump
23	A4500-0102	AR	Shaft & Bearing Kit for Pump
24	A9001-0325	1	Relief Cartridge 2000 PSI

Hydraulic System (Continued)

<u>REF NO.</u>	<u>PART NUMBER</u>	<u>NO. USED</u>	<u>PART DESCRIPTION</u>
25	A1019-0087	1	Sprocket RC50-24T
26	1019-0089	1	Roller Chain RC50
27	A1027-0010	1	Plastic Tightner
28	A9001-0155	1	Tightener Arm
29	A6005-0622	4	Hydraulic Hose
30	A7005-0327	4	Hydraulic Tube Drawbar
31	A0002-0467	2	Pin Hair
32	A1006-0022	1	Pin
33	1030-0090	1	Hydraulic Cylinder
34	A1009-0249	5	Clamp
35	A6001-0670	10	Rubber Grommet $\frac{1}{2}$ " Diameter
36	A7005-0329	2	Orifice
37	A7005-0328	2	Straight Connector
38	A6005-0623	1	Hose Hydraulic Cylinder
39	A6005-0693	1	Hose Pressure
40	9003-0156	1	Pins Package for Elevator Cylinder



GEAR BOX

<u>REF NO.</u>	<u>PART NUMBER</u>	<u>NO. USED</u>	<u>PART DESCRIPTION</u>
1	1013-0316	1	1/2" Plug
2		1	Case
3		1	Pinion Housing
4		1	Pinion Assembly
5	1019-0246	1	Gear (Large)
6	1019-0250	1	End Cap
7		1	Shaft Assembly
8	1019-0251	AR	Paper Shim
9	1019-0247	1	Open End Cap
10		1	Pinion Shaft
11			
12	1019-0233	1	Pinion Nut
13	1015-0062	1	Pinion Cone 1 ³ / ₈
14	1015-0062	1	Pinion Cone 1 ³ / ₈
15	1019-0223	1	Shim
16	1019-0221	1	Pinion Seal
17	1019-0222	3	Snap Ring
18		1	Shaft
19	1015-0062	1	Cone 1 ³ / ₈
20	1019-0231	1	Gear (Small)
21	1015-0062	1	Cone 1 ³ / ₈
22		1	Shim
23	1015-0125	2	Cup
24			

Gear Box (Continued)

<u>REF NO.</u>	<u>PART NUMBER</u>	<u>NO. USED</u>	<u>PART DESCRIPTION</u>
25			
26			
27			
28			
29	1015-0125	2	Cup
30	1019-0232	1	Washer
31	1019-0248	1	Seal
32		1	Breather $\frac{1}{2}$ "
33	1013-0316	1	$\frac{1}{2}$ " Plug

**PULL-PIX FOR CORN
(Swinging Elevator)**

Part Number Reference List

<u>PAGE</u> <u>NO.</u>	<u>PART NUMBER</u>	<u>NO.</u> <u>USED</u>	<u>PART DESCRIPTION</u>
20		2	Plow Bolt $\frac{1}{2}$ -13 NC. x $2\frac{1}{2}$ " Long
26		1	Lacing Wire
34		1	Dust Cap
38		1	Pinion Assembly
38		1	Shaft
38		1	Case
38		1	Pinion Housing
38		1	Shim
38		1	Pinion Shaft
38		1	Shaft Assembly
40			
40			
40		1	Breather $\frac{1}{2}$ "
40			
14	A0001-0124	1	Taper Lock Hub $1\frac{1}{4}$ "
18	A0001-0124	1	Taper Lock Hub- $1\frac{1}{4}$ " Bore
22	0002-0157	4	Bolt Hex Head $\frac{1}{2}$ x 9
30	E0002-0182	4	Bolt Hex Head $\frac{5}{8}$ -11 x $5\frac{1}{2}$ Long
22	0002-0250	4	Nut Small Ser Fig $1\frac{1}{2}$ "
22	0002-0251	1	Nut Small Ser Fig $\frac{3}{8}$ "
10	A0002-0270	2	Take-Up Bolt $\frac{1}{2}$ -13 NC.
4	0002-0279	2	Cotter Pin $\frac{3}{16}$ x $1\frac{1}{2}$
2	A0002-0284	2	Cotter Pin
14	A0002-0292	1	Roll Pin $\frac{1}{4}$ x 2
22	0002-0295	3	Pin Roll $\frac{5}{16}$ x $2\frac{1}{2}$
28	E0002-0295	4	Roll Pin
6	0002-0301	1	Roll Pin $\frac{3}{8}$ x $3\frac{1}{2}$
28	0002-0318	8	Bolt Socket Head $\frac{7}{16}$ -14 x $1\frac{3}{4}$ Long
4	0002-0347	2	Nut Spindle $\frac{3}{4}$ -NF
4	0002-0348	2	Washer Flat Spindle $\frac{3}{4}$
4	A0002-0365	2	Bolt Hex Head $\frac{3}{4}$ x 6
32	E0002-0408	2	Spring Pin
18	0002-0438	AR	Washer - $1\frac{1}{4}$ "
18	A0002-0455	2	Washer - $\frac{3}{4}$ "
4	A0002-0467	4	Hair Pin
36	A0002-0467	2	Pin Hair
28	E0002-0558	4	Roll Pin
20	E0002-0600	2	Castle Nut $\frac{3}{4}$ -10 NC.
28	0002-0603	2	Bolt $\frac{5}{8}$ -11 x $12\frac{1}{2}$ Long
28	E0002-0604	8	Screw Socket Hd.
28	E0002-0605	2	Lock Ring $1\frac{1}{8}$ "
28	E0002-0607	8	Lock Washer

**PULL-PIX FOR CORN
(Swinging Elevator)**

Part Number Reference List (Continued)

<u>PAGE</u> <u>NO.</u>	<u>PART NUMBER</u>	<u>NO.</u> <u>USED</u>	<u>PART DESCRIPTION</u>
22	0002-0661	1	Bolt Hex Head $\frac{5}{8}$ " x $7\frac{1}{2}$ "
30	A0002-0697	4	Flat Head Bolt $\frac{1}{4}$ "-20 x $2\frac{1}{2}$ "
30	A0002-0698	4	Toggle
2	A1002-0120	1	Tongue Extension
14	A1003-0025	1	Spacer
24	1003-0066	4	Spacer, 1" Long
14	B1004-0004	2	Band
2	A1006-0022	2	Pin
36	A1006-0022	1	Pin
12	1006-0093	3	Key $\frac{1}{4}$ " x $1\frac{1}{2}$ " Long
14	1006-0093	1	Key $\frac{1}{4}$ " x $1\frac{1}{2}$ "
18	1006-0093	2	Key $\frac{1}{4}$ " x $1\frac{1}{2}$ " Long
14	1006-0095	1	Key $\frac{1}{4}$ " x 3"
6	1006-0159	2	Key $\frac{5}{16}$ " x $1\frac{1}{2}$ "
18	B1008-0013	1	Pulley-Idler
22	A1009-0249	1	Hose Clamp
36	A1009-0249	5	Clamp
2	B1009-0302	2	Clevis Hitch
14	A1010-0074	1	Fan Mounting Plate
4	1011-0030	2	Hub Assembly with Cups, Studs, and Nuts
4	1011-0031	2	Hub Cap
4	1011-0032	2	Hub
38	1013-0316	1	$\frac{1}{2}$ " Plug
40	1013-0316	1	$\frac{1}{2}$ " Plug
6	1015-0024	3	Universal Joint Cross Kit
18	A1015-0025	2	Ball Bearing-1" Diameter
14	1015-0050	2	Type E Bearing $1\frac{1}{4}$ "
38	1015-0062	1	Cone $1\frac{3}{8}$ "
38	1015-0062	1	Cone $1\frac{3}{8}$ "
38	1015-0062	1	Pinion Cone $1\frac{3}{8}$ "
38	1015-0062	1	Pinion Cone $1\frac{3}{8}$ "
6	1015-0077	2	Bearing $1\frac{3}{8}$ "-2 Bolt
12	1015-0078	2	Bearing 1" Diameter Pillow Block
24	1015-0078	6	Pillow Block Bearing 1" Bore
4	1015-0103	2	Outer Cup LM 67010
4	1015-0104	2	Inner Cone LM 29749
4	1015-0105	2	Seal
4	1015-0106	2	Outer Cone LM 67048
4	1015-0107	2	Inner Cup LM 29710
24	1015-0108	2	Bearing, 1" 2-Bolt
38	1015-0125	2	Cup
40	1015-0125	2	Cup
18	A1015-0142	2	Ball Bearing 3 Bolt x $1\frac{1}{4}$ " Diameter
18	A1015-0166	4	Ball Bearing $1\frac{1}{8}$ " Hex Bore

**PULL-PIX FOR CORN
(Swinging Elevator)**

Part Number Reference List (Continued)

<u>PAGE</u> <u>NO.</u>	<u>PART NUMBER</u>	<u>NO.</u> <u>USED</u>	<u>PART DESCRIPTION</u>
18	A1015-0167	8	Flangette
14	A1016-0013	1	Lock Ring 1 $\frac{1}{4}$ "
20	A1016-0013	1	Snap Ring - 1 $\frac{1}{4}$ "
2	1017-0013	2	Wheel 8 x 15 6 Bolt
2	1018-0019	2	Tire 11L-15
2	1018-0020	2	Inner Tube 11L-15
36	A1019-0087	1	Sprocket RC50-24T
36	1019-0089	1	Roller Chain RC50
6	1019-0118	1	Connector Link RC50-2
6	1019-0119	1	Coupling Chain RC502 x 16P
18	A1019-0146	1	Sprocket RC60-18T x 1 $\frac{1}{4}$ " Bore
8	A1019-0215	3	Universal Joint Snap Hitch Yoke
8	1019-0216	2	Shield Kit with Bearing Thrust Washer
8	1019-0217	1	PTO Shield (Plastic)
8	1019-0218	1	PTO Shaft Male End with Joint
8	A1019-0219	1	PTO Shaft Female End with Joint
38	1019-0221	1	Pinion Seal
38	1019-0222	3	Snap Ring
38	1019-0223	1	Shim
38	1019-0231	1	Gear (Small)
40	1019-0232	1	Washer
38	1019-0233	1	Pinion Nut
38	1019-0246	1	Gear (Large)
38	1019-0247	1	Open End Cap
40	1019-0248	1	Seal
38	1019-0250	1	End Cap
38	1019-0251	AR	Paper Shim
6	A1019-0338	1	Chain Coupling Sprocket RC50-16
18	A1019-0376	2	Sprocket Idler RC60-20T
6	A1019-0458	1	PTO Sprocket RC50-24T
18	1019-0460	1	Roller Chain RC60-286 Pitches
18	A1019-0464	2	Sprocket RC60-22T Hex Bore
6	A1019-0466	1	Chain Coupling Sprocket RC50-16
18	A1020-0077	1	V Pulley-2 Groove B-12
18	A1021-0041	1	Connector Ling RC60
14	A1021-0075	1	Rubber Flange 65" Long
18	A1021-0167	1	V-Belt Power Band
26	1021-0173	1	Belt
8	A1022-0035	1	PTO Shaft Assembly with Shield
16	A1025-0004	2	Spring
2	A1025-0008	1	Spring
2	1025-0010	2	Spring
2	A1025-0012	4	Threaded Spring End
20	A1025-0013	3	Spring
10	A1027-0010	2	Plastic Idler

**PULL-PIX FOR CORN
(Swinging Elevator)**

Part Number Reference List (Continued)

<u>PAGE NO.</u>	<u>PART NUMBER</u>	<u>NO. USED</u>	<u>PART DESCRIPTION</u>
36	A1027-0010	1	Plastic Tightner
10	A1027-0032	2	Plastic Wear Strip
28	B1027-0040	2	Wear Strip
36	1030-0090	1	Hydraulic Cylinder
12	A3000-0200	1	Pixall Decal
26	3000-0207	2	"Pull-Pix" Decal
26	A3000-0209	2	"for Corn" Decal
14	D3002-0060	1	Fan End Plate
14	D3002-0061	1	Fan End Plate (Eye)
14	B3002-0062	1	Fan Housing
14	B3002-0066	1	Fan Rotor
24	A3014-0014	2	Tightener
2	B3023-0002	2	Spindle Assembly
2	B3023-0003	1	Adjustable Axle
34	A4500-0101	AR	Seal Kit for Pump
34	A4500-0102	AR	Shaft & Bearing Kit for Pump
36	A6001-0670	10	Rubber Grommet $\frac{1}{2}$ " Diameter
18	A6001-0689	1	Spacer
18	A6003-0229	1	Spacer
22	6003-0231	2	Hair Pin
14	A6003-0241	1	V-Pulley 9"
34	A6004-0220	2	Coupling
34	A6005-0041	1	Hydraulic Fitting Bulkhead
34	A6005-0043	2	Hydraulic Fitting Bulkhead
34	A6005-0053	2	Hydraulic Fitting Straight Connection
34	A6005-0202	1	Hydraulic Hose
34	A6005-0204	2	Hydraulic Hose
34	A6005-0204	4	Hydraulic Hose
34	A6005-0206	1	Hydraulic Hose
34	A6005-0455	2	Hydraulic Fitting Swivel Elbow
36	A6005-0622	4	Hydraulic Hose
36	A6005-0623	1	Hose Hydraulic Cylinder
36	A6005-0693	1	Hose Pressure
34	A6005-0718	2	Hydraulic Fitting Elbow
34	A6005-0718	2	Hydraulic Fitting
34	A6005-0777	4	Hydraulic Fitting Union
34	A6005-0792	2	Hydraulic Hose
18	A7003-0188	1	Bushing
36	A7005-0327	4	Hydraulic Tube Drawbar
36	A7005-0328	2	Straight Connector
36	A7005-0329	2	Orifice
34	A7005-0377	2	Hydraulic Tube
34	A7005-0378	1	Hydraulic Hose
34	A7005-0379	1	Hydraulic Hose
28	A7007-0093	2	Wear Strip Cover

**PULL-PIX FOR CORN
(Swinging Elevator)**

Part Number Reference List (Continued)

<u>PAGE</u> <u>NO.</u>	<u>PART NUMBER</u>	<u>NO.</u> <u>USED</u>	<u>PART DESCRIPTION</u>
32	A7007-0130	1	Gather Point, R.H., J.D. AH103030
32	A7007-0131	1	Gather Point, L.H., J.D. AH103031
32	A7007-0132	2	Shoe, J.D. N103631
32	A7007-0135	2	Skid Plate, J.D. H85104
32	A7007-0136	2	Bushing, J.D. H88704
32	A7007-0137	2	Spacer, J.D. 28H1884
32	A7007-0139	2	Rod, J.D. N103817
32	A7007-0140	2	Link Chain, 9 Links, J.D. AH95980
32	A7007-0143	1	Hinge, L.H., J.D. H109941
32	A7007-0144	1	Hinge, R.H., J.D. H109940
32	A7007-0145	4	Hook, J.D. H113237
32	A7007-0146	2	Gate, J.D. N101988
32	A7007-0152	2	Eye Bolt, J.D. H100529
32	A7007-0153	2	Pad, J.D. H92710
32	A7007-0178	2	Spacer, J.D. 28H1519
30	D7007-0198	1	Frame
30	A7007-0200	1	Weed Knife, L.H.
30	A7007-0201	1	Weed Knife, R.H.
28	A7007-0202	2	Support
28	A7007-0208	2	Spring J.D. N61703
30	A7007-0216	4	Eye Bolt J.D. N102180
30	A7007-0249	2	Gear Box Assembly AH87788
30	A7007-0250	2	Coupler Assembly AN102504
28	A7007-0251	2	Quick Coupling N10240
28	A7007-0255	2	Idler Pulley with Bearings
28	A7007-0257	2	Take-Up Strap
28	B7007-0265	2	Gathering Belt-Rubber
30	A7007-0266	2	Drive Sprocket 6 Tooth
28	A7007-0267	AR	Puller
28	A7007-0268	2	Spacer
32	A7007-0275	4	Riser Block
30	B7007-0283	1	Knife Roll, L.H.
30	B7007-0284	1	Knife Roll, R.H.
32	A7007-0309	2	Bushing, J.D. H97266
22	A7007-0316	1	Bushing
28	A7007-0316	4	Bushing J.D. H115425
28	C7007-0325	1	Stop Plate, L.H.
28	C7007-0326	1	Stop Plate, R.H.
30	A7007-0386	2	Support Shim - Short
30	A7007-0387	2	Support Shim - Long
28	A7007-0551	2	Spacer-Aluminum
30	A7007-0653	4	Plug
34	A8001-0173	2	Hydraulic Motor
24	D9001-0002	2	Elevator Frame (Lower)
24	9001-0027	1	Elevator Side, L.H.

**PULL-PIX FOR CORN
(Swinging Elevator)**

Part Number Reference List (Continued)

<u>PAGE</u> <u>NO.</u>	<u>PART NUMBER</u>	<u>NO.</u> <u>USED</u>	<u>PART DESCRIPTION</u>
24	9001-0028	1	Elevator Side, R.H.
24	A9001-0029	12	Tightener
24	A9001-0031	4	Shim
24	A9001-0034	2	Oak Strip Belt Guide
24	B9001-0037	1	Paddle Wheel
34	A9001-0041	2	Torque Arm
24	A9001-0046	1	Auger Roller
10	D9001-0050	1	Intake Frame Weldment
2	D9001-0067	1	Main Frame
6	A9001-0087	1	Gear Box
14	C9001-0092	1	Duct
14	A9001-0094	1	Duct Gate
10	A9001-0095	2	Take-Up Bracket
10	B9001-0096	1	Corn Shield, R.H.
10	B9001-0097	1	Corn Shield, L.H.
2	B9001-0098	1	Lifting Frame
10	B9001-0105	1	Belt Sealer Strip, L.H.
10	B9001-0106	1	Belt Sealer Strip, R.H.
14	A9001-0107	4	Fan Hanger
14	A9001-0108	1	Fan Shaft
2	A9001-0109	1	Lifter Eye
2	A9001-0110	6	Spacer
34	A9001-0117	1	Pump Unit
20	A9001-0124	1	Counter Shaft
20	A9001-0127	2	Hex Shaft
10	A9001-0130	1	Shaft-Drive End
10	A9001-0132	1	Bearing Plate
10	A9001-0133	2	Spacer Flat
6	A9001-0137	1	Ballsnap Hitch Yoke
6	A9001-0138	1	PTO Shaft
6	A9001-0139	4	Flat
6	B9001-0140	1	Hanger Channel - Front
6	B9001-0141	1	Hanger Channel - Rear
18	A9001-0142	2	Spacer
2	A9001-0143	1	Draw Bar
2	A9001-0144	1	Pin
2	B9001-0145	1	Tongue
2	A9001-0148	1	Lever
2	A9001-0149	1	Spring Holder
6	B9001-0150	1	PTO Shield
8	B9001-0151	1	PTO Shield End
6	B9001-0152	1	PTO Shield - Gear Box
6	A9001-0153	1	Hanger-Hydraulic Hose Bracket
36	A9001-0155	1	Tightener Arm
2	A9001-0163	1	Lock Out Bar

**PULL-PIX FOR CORN
(Swinging Elevator)**

Part Number Reference List (Continued)

<u>PAGE</u> <u>NO.</u>	<u>PART NUMBER</u>	<u>NO.</u> <u>USED</u>	<u>PART DESCRIPTION</u>
2	A9001-0165	1	Helper Spring Mounting
20	A9001-0170	2	Tightener Flat
18	A9001-0171	2	Bushing
18	A9001-0172	1	Bushing
30	A9001-0174	2	Back-Up Strip
30	D9001-0175	1	Fork Frame
30	C9001-0181	1	Stop Plate, L.H.
30	C9001-0182	1	Stop Plate, R.H.
10	A9001-0183	2	Flanged Roller Idler
10	A9001-0184	2	Sprocket-14 Tooth Cast Driver
12	A9001-0185	1	Belted Chain
18	A9001-0186	2	Bearing Spacer
30	A9001-0187	8	Adjusting Screw
28	A9001-0188	1	Cover, R.H.
28	A9001-0189	1	Cover, L.H.
28	A9001-0192	2	Shield Mounting Flat
28	A9001-0193	4	Brace
10	A9001-0194	1	Shield Mounting
10	A9001-0196	1	Shield Mounting
10	A9001-0198	2	Back-Up Angle
24	A9001-0199	1	Cross Bar
24	B9001-0202	2	Idler Wheel
6	A9001-0207	1	Gear Box Side Shield
6	A9001-0212	1	Pivot Bracket
10	C9001-0214	1	Shield - Chain Drive
10	C9001-0218	1	Shield - V-Belt drive
16	A9001-0222	2	Spacer Flat
14	B9001-0223	1	Shield
16	A9001-0224	2	Bearing Flat
10	A9001-0225	1	Shield Mounting
10	A9001-0226	1	Shield Mounting
28	A9001-0229	1	Deflector
10	A9001-0234	1	Bearing Spacer
10	A9001-0235	1	Bearing Spacer-Hydraulic Motor
32	D9001-0240	1	Gather, R.H.
32	D9001-0241	1	Gather, L.H.
32	C9001-0259	1	Gather Wing, L.H.
32	C9001-0260	1	Gather Wing, R.H.
14	A9001-0263	1	Fan Stalk Balde
14	A9001-0264	1	Hub Kit
30	B9001-0268	1	Guard
30	B9001-0277	2	Weed Knife
30	D9001-0278	1	Stalk Roll, R.H.
30	D9001-0279	1	Stalk Roll, L.H.
30	A9001-0282	2	Spacer



REPAIR PARTS LIST



ONE-ROW FULL-ROW

(Swinging Bevels)

FOR CORN

DRIVING

Fendt Corporation

10000 Fendt Drive