

Price \$15.00

Vibratory Sorting Table (VST)

(For Serial No. VST-519531 through VST-_____)

PIXALL®

Operator's and Parts Manual

P/N 91201

Pixall®
100 Bean Street
Clear Lake, WI 54005

Phone: (715) 263-2112
Fax: (715) 263-2102

PIXALL VIBRATORY SORTING TABLE (Pixall Model VST)

Operator's Manual and Repair Parts List

TABLE OF CONTENTS

Introduction	2
Model VST Parts List	3-6
Model VST Specs	1
Safety	S-1 to S-3
Warranty	W-1

WARRANTY PARTS RETURN POLICY

IMPORTANT!

IMPORTANT!

All returned parts must be sent prepaid to Pixall, 100 Bean Street, Clear Lake, Wisconsin 54005-8400.

It is **MOST IMPORTANT** that each component part be accompanied by a Part Failure Report Tag. The Part Failure Report Tag is the only means by which Pixall can give its vendors the information they request for warranty consideration. Remember, every line on these tags is important information. Parts without tags or incomplete tags will not be considered for warranty purposes. Many of Pixall's vendors require that failed parts be returned within a specified time frame in order to receive warranty consideration. To be safe, return all failed component parts as soon as possible from the date of failure with Part Failure Report attached.

PIXALL'S LIMITED WARRANTY

Pixall's limited warranty is as follows:

A. Basic Limited Warranty Coverage.

Pixall warrants that it will repair or, at its option, replace any parts manufactured by Pixall and found to be defective in factory material or workmanship for a period of 6 months or 500 engine hours after delivery to the original purchaser. Equipment which has been used for demonstration purposes for less than 250 hours is considered "new" for this purpose. Any parts or remanufactured assemblies furnished under this warranty are warranted against defects in material or workmanship for the longer of 90 days or expiration of the warranty on the equipment for which such parts or assemblies were supplied.

B. Pixall's Obligations.

Pixall will at its expense repair or, at its option, replace any parts manufactured by it and found to be defective in material or workmanship during the applicable warranty period, provided that the owner of the warranted equipment complies with the "Warranty Claims Procedure" set forth below. The equipment owner will be responsible for the expense of returning any parts to Pixall for warranty evaluation. Pixall will at its expense return any part repaired or replaced under this warranty to the owner of the warranted equipment, by truck, United Parcel Service or U.S. Mail, at Pixall's option. The equipment owner will be responsible for the cost of any other method of shipment, including air freight.

C. Items not Covered.

Pixall's limited warranty does not cover:

1. labor; 2. a mechanics travel time; 3. the cost of removal of defective parts and reinstallation of repaired or replacement parts; 4. used equipment, unless specifically covered by a separate written warranty; 5. component parts manufactured by others, including but not limited to, bearings, gear boxes, engines, transmissions and hydraulic components (but, if new, such items are ordinarily warranted by the manufacturer thereof); 6. depreciation or damage caused by normal wear and tear, accident, abuse, improper maintenance, abnormal use, use other than in accordance with Pixall's instructions, or improper protection in storage; 7. equipment which has been modified or altered other than with the prior written approval of Pixall; or 8. the cost of normal maintenance or service, including but not limited to the cost of replacement oil, bearings, sprockets, ignition parts, cutting parts, belts, chains, and brake linings; 9. consequential damages (the cost of repairing other property which is damaged when the equipment does not work properly).

D. Warranty Claims Procedure

The owner of any warranted item claimed to be defective must:

1. Notify Pixall in writing on Pixall's Warranty Claim Report immediately upon discovery of any defect covered by this warranty.
2. Provide to Pixall contemporaneous documentary evidence of the date of delivery of the item to the original purchaser; and
3. If requested by Pixall, ship the defective part(s) to Pixall, freight prepaid, for inspection.

E. No Other Warranties.

Pixall makes no warranty other than that set forth above, express or implied.

PIXALL SPECIFICALLY DISCLAIMS ANY IMPLIED WARRANTY OF MERCHANTABILITY OR FITNESS FOR PURPOSE.] PIXALL GIVES NO WARRANTY THAT THE PRODUCTS SOLD WILL BE DELIVERED FREE OF THE RIGHTFUL CLAIM OF ANY THIRD PARTY FOR INFRINGEMENT OF ANY PATENT, COPYRIGHT OR TRADEMARK OR ANY OTHER PROPRIETARY RIGHTS.

None of Pixall's dealers are authorized to make any representation for warranty on Pixall's behalf or in its name.

F. Obligations and Remedies are Exclusive.

Pixall's only obligations and its customers' only remedies, in connection with the sale of Pixall agricultural equipment, are those set forth in this warranty.

IN NO EVENT SHALL PIXALL BE RESPONSIBLE FOR ANY CONSEQUENTIAL OR INCIDENTAL DAMAGES, INCLUDING BUT NOT LIMITED TO DAMAGES FOR LOSS OF CROPS, LOSS OF PROFITS, OR RENTAL OF SUBSTITUTE EQUIPMENT, WHETHER FOR BREACH OF WARRANTY OR OTHER BREACH OF CONTRACT, NEGLIGENCE OR OTHER TORT, OR ANY STRICT LIABILITY THEORY.

G. Your Rights Under State Law.

This warranty gives you specific legal rights and you may have other rights which may vary from state to state.

SAFETY-ALERT SYMBOL FOR AGRICULTURAL EQUIPMENT

Proposed by the Engineering Policy Committee of Farm and Industrial Equipment Institute; approved by ASAE Power and Machinery Division Standards Committee; adopted by ASAE February 1972; reconfirmed and reclassified as a Standard, March 1977; reconfirmed December 1981; approved by ANSI as an American National Standard December 1982; reconfirmed December 1986.

SECTION 1-PURPOSE

1.1 The purpose of this Standard is to establish a Safety-Alert Symbol for use on agricultural equipment, and to provide a symbol which means **ATTENTION! BECOME ALERT! YOUR SAFETY IS INVOLVED!**

SECTION 2-SCOPE

2.1 This Standard presents the general uses, limitations on use, and appearance of the Safety-Alert Symbol.

SECTION 3-DESCRIPTION

3.1 The Safety-Alert Symbol shall be an equilateral triangle with rounded corners and with an exclamation mark located in the center as shown in Figure 1. The dimensions are optional.

3.2 The Safety-Alert Symbol should be of contrasting colors which will cause the exclamation mark to stand out.

SECTION 4-APPLICATION

- 4.1 The symbol should be used:
- 4.1.1 In conjunction with warning statements and signs.
 - 4.1.2 In instruction manuals.
 - 4.1.3 In connection with agricultural equipment safety standards.
 - 4.1.4 On communications which concern agricultural equipment safety.
- 4.2 The symbol should not be used:
- 4.2.1 To indicate safety compliance or a safety characteristic.
 - 4.2.2 Alone on equipment for safety purposes.

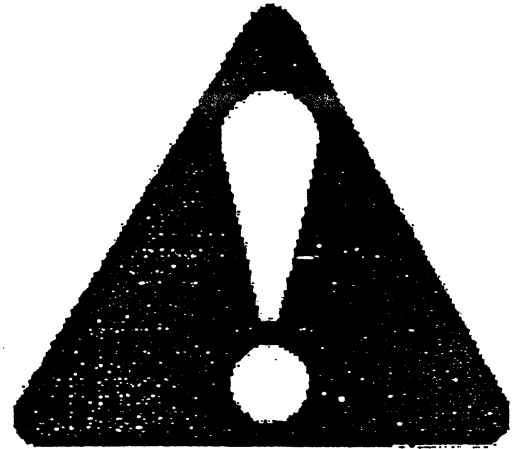


FIGURE 1. SAFETY-ALERT SYMBOL



Included throughout this manual and on machine decals you will see this Safety-Alert Symbol followed by precautionary statements such as **DANGER!**, **WARNING!**, and **CAUTION!**

After these statements will be specific instructions that must be followed both for your personal safety as well as for the safety of those working with you. **PLEASE READ THEM CAREFULLY.**

SAFETY DEFINITIONS



DANGER: The word **DANGER** denotes an **EXTREME INTRINSIC HAZARD** exists which would result in a high probability of **DEATH** or **IRREPARABLE INJURY** if proper procedures are not taken.



WARNING: The word **WARNING** denotes a **HAZARD** exists which can result in **INJURY** or **DEATH** if proper precautions are not taken.



CAUTION: The word **CAUTION** denotes a reminder of **SAFETY** practices, or directs attention to **UNSAFE** practices which could result in **PERSONAL INJURY** if proper precautions are not taken.

IMPORTANT: The word **IMPORTANT** is used to inform of the possibility of harvester damage if a certain procedure is not followed.

On the following pages you will find a listing of all decals on the harvester.

All safety and harvester operation decal locations are shown in this section.

It is very important that these decals remain intact and visible at all times. All decals must be replaced if they become illegible or missing.

Any new equipment components installed during repair must include current safety signs as specified by the manufacturer to be affixed to the replacement component.

New safety decals can be requested through:

PIXALL
100 Bean Street
Clear Lake, WI 54005-8400

Phone: 715/263-2112
FAX: 715/263-2102

To affix new safety decals, area must be thoroughly cleaned with a moist towel and allowed to dry. After area has thoroughly dried, remove backing and place decal in appropriate area being sure to keep all air bubbles from behind decal.

If air bubbles do appear, work them to the nearest edge with a squeegee.

Now you can remove the protective covering from the decal.



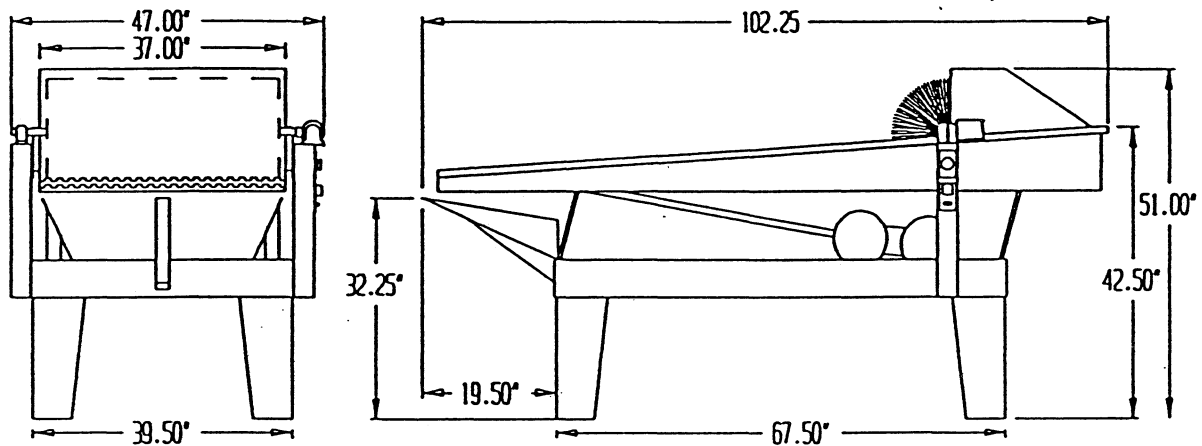
SAFETY PRECAUTIONS



MOST MACHINE ACCIDENTS CAN BE AVOIDED BY THE OBSERVANCE OF A FEW SIMPLE SAFETY PRECAUTIONS.

1. DO NOT ATTEMPT TO LUBRICATE OR MAKE ANY ADJUSTMENTS WHILE VST IS IN OPERATION.
2. NEVER OPERATE ELECTRICAL EQUIPMENT IN OF AROUND WATER.
3. KEEP ALL SAFETY SHIELDS IN PLACE AT ALL TIMES.
4. NEVER ATTEMPT TO CLEAN OR UNPLUG YOUR VST WHILE IT IS TURNED ON.
5. KEEP CHILDREN AWAY FROM MACHINERY AT ALL TIMES.

VIBRATORY SORTING TABLE (VST)



- Removes broken beans, stones and other small trash from machine harvested product.
- Also serves as sorting table for up to four persons.
- Aligns beans for easy packing giving a more attractively packed product.
- Approximately 60 bushel per hour capacity.
- Economical -- Efficient -- Simple.
- Requires: 115 volt electricity.
- Shipping weight 825 pounds.
- Furnished assembled... complete with ½ HP single phase 115 volt 1725 RPM electric drive motor on shaker unit.
- Adjustable feed control brush with variable speed ½ HP electric motor.

PIXALL

100 Bean St.
Clear Lake, Wisconsin 54005-8400

TEL: 715/263-2112
FAX: 715/263-2102

INTRODUCTION

Now that your Pixall Vibratory Sorting Table (VST) has arrived, there will be some assembly required.

1. Attach legs (27) to main frame (26).
2. Secure shaker frame (7) to main frame with flex arms and flex flats provided.
3. Secure push arm assembly (14) to shaker frame using flex flat (10) and flex flat clamp (12).
4. Now attach right and left brush support (24 and (35) to the main frame.
5. Attach rotary brush (33) with brush shafts (31) and coupling (30) be sure to tighten all set screws.
6. Attach hopper frame (4), (5), (6) to shaker frame (7).

CAUTION!

Be sure all belts and bolts are tight before operating VST.



CAUTION!

Never make any adjustments while the VST is in operation. Keep all shields in place at all times.



Your VST has three major adjustments:

1. SHAKER PAN GAP.

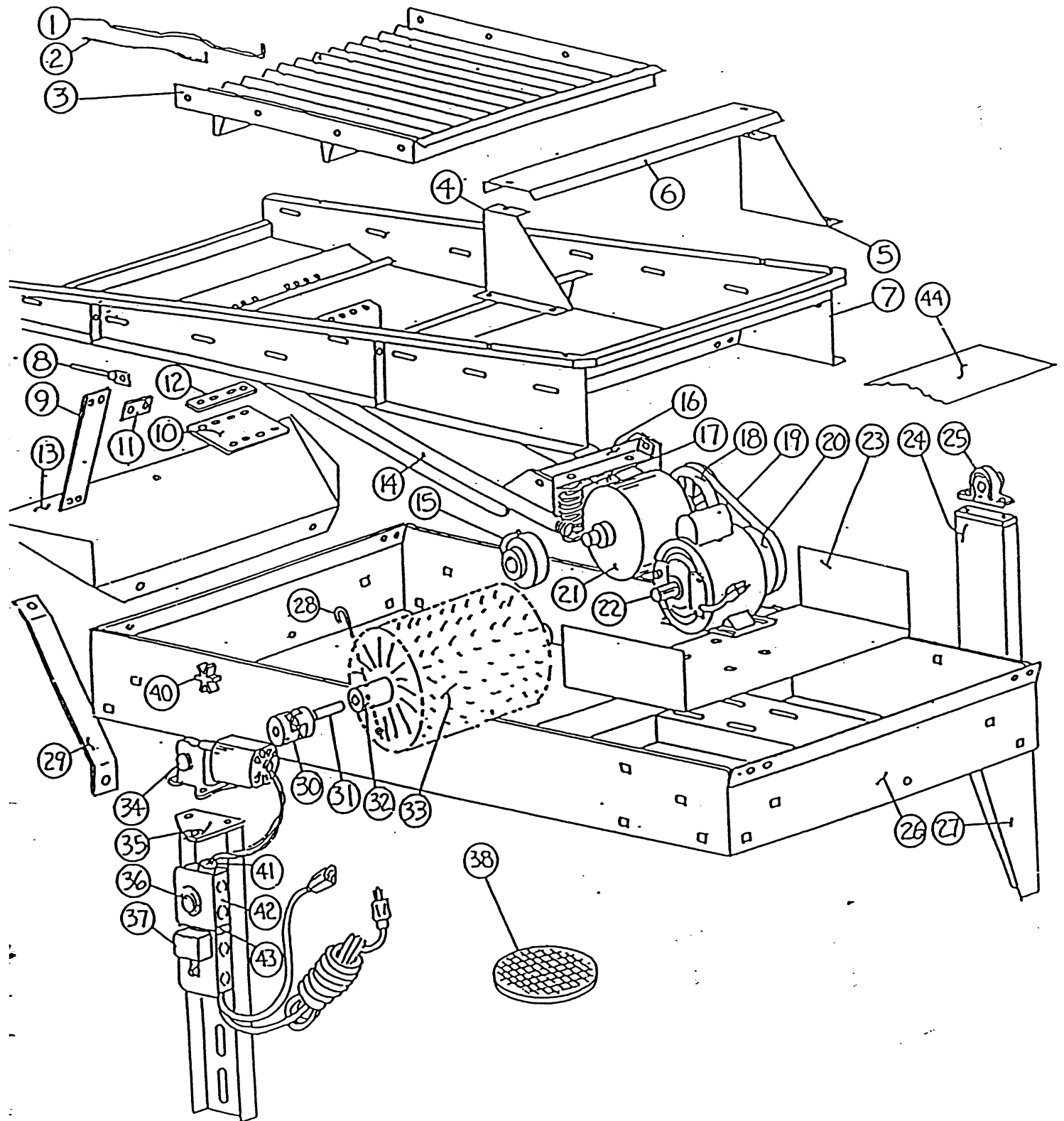
This gap determines the size bean which will be graded out as it moves down the shaker pan. The wider the span, the larger the bean which will be graded out.

2. BRUSH HEIGHT.

The brush determines the amount of product which will flow across the VST. The higher the brush is above the shaker pan, the greater the amount of product flow.

3. BRUSH SPEED.

The brush speed also determines the amount of product which will flow across the table. The faster the brush speed, the greater the product flow.



VIBRATORY SORTING TABLE

<u>REF NO.</u>	<u>PART NUMBER</u>	<u>NO. USED</u>	<u>PART DESCRIPTION</u>
1	3110-0019	22	Long Aligner Spring
2	3110-0018	20	Short Aligner Spring
3	3110-0014	2	Shaker Pan
4	3110-0021	1	Left Hopper Side
5	3110-0020	1	Right Hopper Side
6	3110-0022	1	Hopper Transom
7	3110-0002	1	Shaker Frame
8	3110-0013	4	Take Up Bolt
9	3110-0041	4	Flex Arm
10	3110-0051	2	Flex Flat
11	3110-0027	8	Flex Arm Clamp
12	3110-0050	4	Flex Flat Clamp
13	3110-0035	1	Chute
14	3110-0046	1	Push Arm Assembly R.H.
	3110-0129	1	Push Arm Assembly L.H.
15	1015-0157	2	Shaker Bearing (part of weldment, not replaceable)
16	3110-0043	1	Spring Bracket Assembly
17	3110-0048	2	Shaker Support Springs
18	1020-0017	2	Shaker Pulley
19	3110-0074	2	Rubber "O-Ring" Belt
20	1020-0064	2	Motor Pulley
21	3110-0047	1	Shaker Drum
22	3110-0131	1	Motor, ½hp; 50/60HZ; 115/230v

Vibratory Sorting Table (Continued)

<u>REF NO.</u>	<u>PART NUMBER</u>	<u>NO. USED</u>	<u>PART DESCRIPTION</u>
23	3110-0069	1	Motor Shield
24	3110-0033	1	Right Brush Support
25	1015-0130	1	Brush Bearing
26	3110-0036	1	Main Frame
27	3110-0034	4	Leg
28	1006-0135	2	Hook Bolt
29	3110-0038	1	Chute Brace
30	3110-0124	2	Coupling, Love-Joy
31	3110-0026	1	Brush Shaft
32	3110-0023	1	Brush Tube
33	3004-0092	1	Rotary Brush
34	3110-0052	1	Brush Motor - Geared Head
35	3110-0032	1	Left Brush Support
36	3110-0058	1	Speed Control
37	3110-0057	1	Cover, Fuse Box
38	1021-0135	4	Rubber Pad
39	1015-0158	AR	Bearing Insert
40	3110-0123	1	Rubber Spider
41	3110-0056	2	½" Romex Connector
42	3110-0054	2	Handy Box
43	3110-0055	1	½" Spacing Connector with Lock Nuts
44	3110-0079	1	Top Cover Shield